

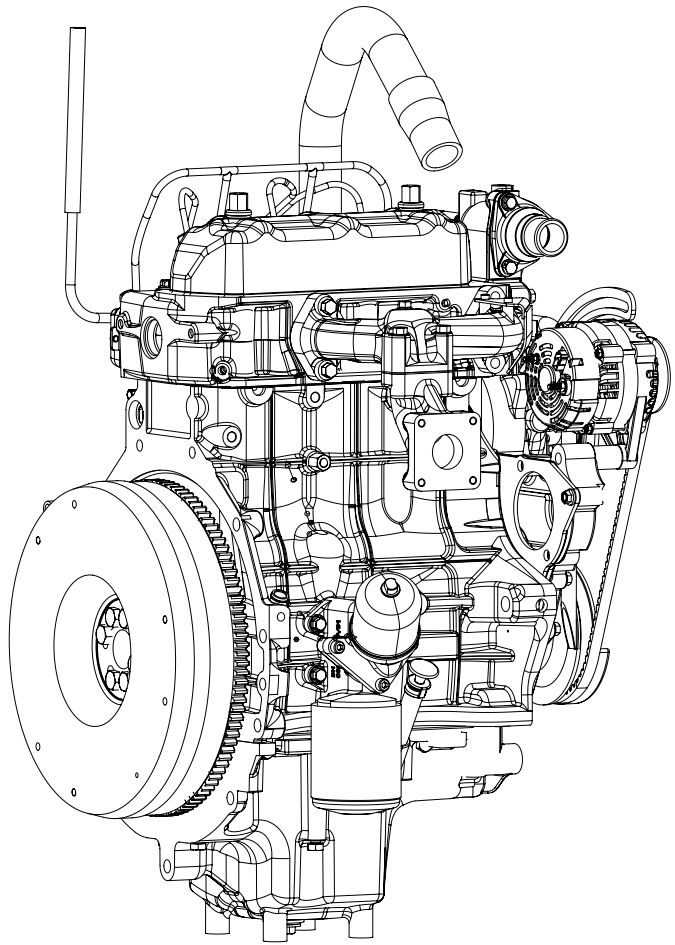
SR.NO.	DESCRIPTION	PG.NO.
	ENGINE	
1	ENGINE - COMPLETE, HALF & REPAIR KITS	2
2	VALVE HOUSING COVER	7
3	EXHAUST SYSTEM	9
4	AIR INTAKE SYSTEM-INTAKE SYSTEM	11
5	AIR INTAKE SYSTEM - DRY	13
6	CYLINDER HEAD ASSY - 3DI	15
7	CYLINDER HEAD ASSY - 4DI	17
8	VALVE TRAIN - 3DI	19
9	VALVE TRAIN - 4DI	21
10	CRANKCASE FRONT COVER	23
11	CRANCKASE WITH OIL PAN - 3DI	25
12	CRANCKASE WITH OIL PAN - 4DI	27
13	SLEEVE PISTON & CONNECTING ROD ASSEMBLY	29
14	LUBRICATION SYSTEM	31
15	LUBRICATION SYSTEM (CENTRIFUGAL OIL FILTER)	33
16	COOLING SYSTEM	37
17	CRANKSHAFT ASSEMBLY - 3DI	37
18	CRANKSHAFT ASSEMBLY - 4DI	39
19	RADIATOR ASSEMBLY	41
20	FUEL INJECTION SYSTEM	43
	SHEET METAL	
21	FRONT AXLE	47
22	FRONT AXLE SUPPORT	49
23	PS CONNECTING TIE ROD AND KNUCKLE ARM	51
24	TIE ROD AND STEERING KNUCKLE MECHANICAL	53
25	HUB ASSEMBLY POWER STEERING	55
26	HSU MOUNTING BRACKET & STEERING COLUMN	57
27	DRAG LINK AND STEERING GEAR BOX	59
28	CLUTCH PEDAL ASSY	61
29	BRAKE PEDAL ASSEMBLY	63
30	DIFFERENTIAL LOCK PEDAL ASSEMBLY	65
31	REAR TOW HOOK	67
32	MIRROR & POWER STEERING GUARD	69
33	HMS & FUEL TANK ASSY	71
34	SEALING DHRUV	73
35	FUEL TANK ASSY	75
36	STICKERS	77

SR.NO.	DESCRIPTION	PG.NO.
37	KNOBS	79
38	SCUTTLE ASSY	81
39	FLOOR PANEL ASSY	83
40	SEAT ASSY	85
41	BATTERY TRAY SUPPORT ASSY	88
42	FENDER RH ASSY	90
43	FENDER LH ASSY	92
44	HOOD ASSY	94
45	FRONT GRILL ASSEMBLY	96
46	TOOL BOX ASSY	98
47	STEERING WHEEL	100
48	HAND BRAKE ASSEMBLY	102
49	FOOT AND HAND ACCELERATOR	104
50	WHEELS	106
51	FRONT BUMPER	108
52	FARMER KIT	110
	TRANSMISSION	
53	CLUTCH ASSEMBLY DIAPHRAGM	113
54	CLUTCH HOUSING-NON RCRPTO	115
55	CLUTCH HOUSING-RCRPTO	117
56	RETAINER SUB ASSEMBLY	119
57	DIFFERENTIAL SUB ASSEMBLY	121
58	DIFFERENTIAL LOCK SUB ASSEMBLY	123
59	RANGE TOP SHAFT SUB ASSY	125
60	SPEED TOP SHAFT ASSEMBLY	127
61	SPEED BOTTOM SHAFT ASSEMBLY	129
62	SPLINE SHAFT SUB-ASSY WITH RANGE GEARS	131
63	SPLINE SHAFT SUB ASSEMBLY	133
64	PTO INTERMEDIATE SHAFT	135
65	PTO SHIFTER SUB ASSY-NON RCRPTO	137
66	PTO SHIFTER SUB ASSY-RCRPTO	139
67	POWER TAKE OFF SUB ASSEMBLY-NON RCRPTO	141
68	POWER TAKE OFF SUB ASSEMBLY-RCRPTO	143
69	SHIFTING ASSY	146
70	SPEED SHIFTING SUB ASSY	148
71	RANGE SHIFTING SUB ASSY	151
72	REVERSE IDLER SHAFT	152
73	PLANETARY SUB ASSY	154
74	RAC SUB ASSY WITH PLANETARY	156

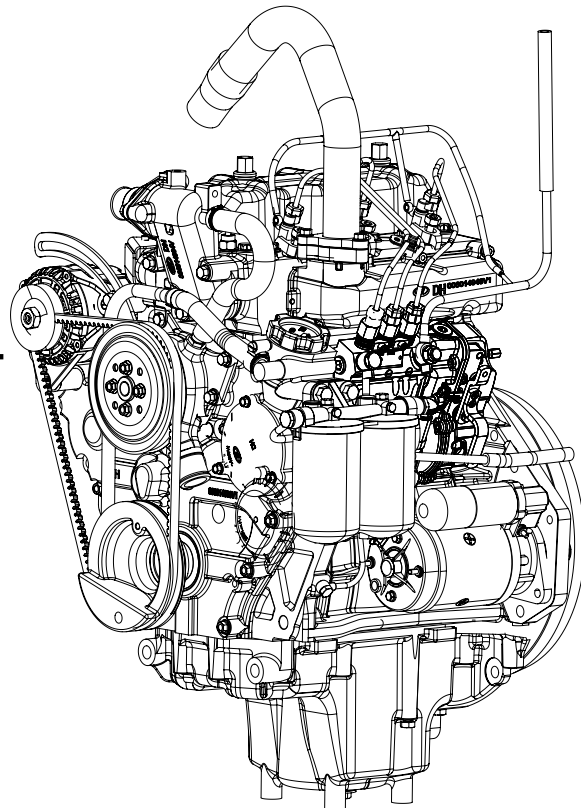
SR.NO.	DESCRIPTION	PG.NO.
75	BRAKE ASSEMBLY	158
76	STRUCTURAL ASSY	160
77	HYDRAULICS	
78	SUCTION PIPE ASSEMBLY - Mechanical	164
79	SUCTION PIPE ASSEMBLY - POWER STEERING	166
80	PRESSURE PIPE ASSEMBLY - Mechanical	168
81	PRESSURE PIPE ASSEMBLY - POWER STEERING	170
82	PIPE ROOTING ASSEMBLY - POWER STEERING	172
83	TIPPING TRAILOR	174
84	DRAFT SENSING ON LIFT ASSY	176
85	QUADRANT & CONTROLVALVE ASSY ON LIFT ASSY	178
86	POWER TRAIN	180
87	LIFT ARM ASSEMBLY	182
88	QUADRANT ASSEMBLY UPPER	184
89	QUADRANT ASSEMBLY LOWER	186
90	CONTROL VALVE ASSEMBLY	188
91	THREE POINT LINKAGES	196
92	SINGLE SPOOL AUX VALVE ASSEMBLY	198
93	TRAILER BRAKE PIPE ASSEMBLY	200
	ELECTRICAL	
94	HEAD LAMP	203
95	P&T LAMP AND COMBINATION LAMP	205
96	PLOUGH LAMP	207
97	INSTRUMENT CLUSTER	209
98	SENSORS AND SWITCHES	211
99	COMBINATION SWITCH ,HORN AND POWER SOCKETS	213
100	FUEL LEVEL SENSOR	215
101	BATTERY	217
102	CABLES (SCUTTLE)	219
103	WIRING HARNESS	221
104	CLIPS	223

ENGINE

ENGINE - COMPLETE, HALF & REPAIR KITS



3 DI



4 DI

ENGINE - COMPLETE, HALF & REPAIR KITS

M&M Part Number	Ref.	Description of Part	Quantity		Remarks / Service Bulletin No.
			3DI	4DI	
ENGINE ASSEMBLY					
ENG265DHSVDPG	*	Full ENGINE Assembly,(ENGINE CPT. 265 BSIIIA - GREY)	1	-	
ENG275DHSVDPG	*	Full ENGINE Assembly,(ENGINE CPT. 275 BSIIIA - GREY)	1		
ENG395DHSVDPG4C	*	Full ENGINE Assembly,(ENGINE CPT. 415 BSIIIA - GREY)	-	1	
ENG425DHSVDPG	*	FULL ENGINE Assembly, (ENGINE CPT. 475 BSIIIA - GREY)	-	1	
ENG575DHSVDPGNA	*	FULL ENGINE Assembly,(ENGINE CPT. 575 BSIIIA -GREY)	-	1	
MAJOR CRANKCASE ASSEMBLY					
006027487V91	*	CRANKCASE Major Assembly (Half Engine) 31HP	1	-	
006024057V91	*	CRANKCASE Major Assembly (Half Engine) 35HP	1	-	
006024067V91	*	CRANKCASE Major Assembly (Half Engine) 39 HP & 42 HP	-	1	
006028440V91	*	CRANKCASE Major Assembly (Half Engine) 45 HP	-	1	
006014712V91	*	→ CRANKCASE ASSLY FINISH 3DI DHRUV	1	-	
006014710V91	*	→ CRANKCASE ASSLY FINISH 4DI DHRUV	-	1	
005551963R1	*	→ PIN DOWEL DIA 1/2 * 2.118 LG	2	2	
005550183R1	*	→ PIN DOWEL 8.045X12.000	2	2	
006510143C1	*	→ DOWEL PIN Ø8X25	2	2	
000020280E05	*	→ PIN DOWEL 8.024X16.000	2	2	
006017519V1	*	→ PRECOATED PLUG M13 X 1.5 X 8	2	2	
000020786E05	*	→ PLUG M10 X 1.0 HEX SOCKET PIPE	1	3	
006022117Y1	*	→ HEX HEAD PLUG M12 X 1.5 X 18	1	-	
000172578	*	→ PLUG EXPANSION G 44.45MM	1	1	
006017521V1	*	→ WELCH PLUG DIA 30.0	3	4	
006017522V1	*	→ PIN DOWEL 14.32 X 20	2	2	
006016823V1	*	→ SLEEVE - WATER DHRUV	1	1	
006000406H1	*	→ OIL PASSAGE PLUG	1	1	
006014915V1	*	→ CRANKSHAFT 3DI - DHRUV	1	-	
006024364V1	*	→ CRANKSHAFT 3DI - DHRUV ELS	1	-	
006014914V1	*	→ CRANKSHAFT 4DI - DHRUV	-	1	
006024535V1	*	→ CRANKSHAFT 4DI - DHRUV ELS	-	1	
006024048V1	*	→ SET of Crankshaft Main Bearing C/O	1	-	
006024072V91	*	→ SET of Crankshaft Main Bearing C/O	-	1	
006008141D1	*	→ COMPACT GEAR CRANKSHAFT	1	1	
000218211	*	→ KEY WOODRUFF 1/4 X 3/4	2	2	
006014977V1	*	→ PULLEY CRANKSHAFT 3DI DHRUV	1	-	
006024487V1	*	→ PULLEY CRANKSHAFT 3DI DHRUV ELS	1	-	
006016555V91	*	→ PULLEY CRANKSHAFT ASSY. 4DI DHRUV	-	1	
006000259B1	*	→ SPACER CRANKSHAFT PULLEY	1	1	
006000260B1	**	→ BOLT HEX M14 X 1.5 X 32 X 10.9	1	1	
006015937B91	*	→ BEARING CLUTCH PILOT	1	1	
000020269E05	*	→ PIN DOWEL	2	2	
006017796V1	*	→ GASKET_FRONT_PLATE_BANCO_DHRUV	1	1	
006014038V1	*	→ PLATE CRANKCASE FRONT DHRUV	1	1	

* Parts Not Illustrated / ‡ Not Serviceable Separately / ♦ Alternate Part Number / A/R As Required

ENGINE - COMPLETE, HALF & REPAIR KITS

M&M Part Number	Ref.	Description of Part	Quantity		Remarks / Service Bulletin No.
			3DI	4DI	
000020311E05	*	→ BOLT HEXFL M6X1.00X16.5X8.8	1	1	
000703636R1	*	→ WASHER TAB	1	1	
000060387M01	*	→ BOLT HEXFL M8X1.25X16X8.8	1	1	
006022334V1	*	→ SCREW M6 X 1	1	1	
006024058V91	*	→ SET of Sleeve, Piston, Rings	1	1	
006028441V91	*	→ SET of Sleeve, Piston, Rings ELS	1	1	
006014909V91	*	→ CONNECTING ROD ASSEMBLY- DHRUV	3	4	
006014909V91	*	→ CONNECTING ROD ASSEMBLY- DHRUV ELS	3	4	
006016793V1	*	→ BEARING CONNECTING ROD KOEL - DHRUV	6	8	
006024365V1	*	→ BEARING CONNECTING ROD KOEL - DHRUV ELS	6	8	
005557320R1	*	→ CAMSHAFT 3 CYLINDER	1	-	
006015362B1	*	→ CAMSHAFT 4 CYLINDER	-	1	
000218217	*	→ KEY WOODRUFF 3/16 X 5/8	1	1	
006008140D1	*	→ COMPACT GEAR CAM SHAFT	1	1	
006000372R1	*	→ PLATE THRUST CAMSHAFT	1	-	
006015361H1	*	→ CAMSHAFT THRUST PLATE 4025 MODEL	-	1	
000020307E05	*	→ BOLT HEXFL M8X1.25X20X8.8	2	2	
006011999B1	*	→ FIP FLANGE PLATE BS3A	1	1	
000020307E05	*	→ BOLT Flanged M8 X 1.25- 6g X 20 HEX-H3	4	4	
006013257B1	*	→ BS3A STEEL FIP GEAR	1	1	
006015018V91	*	→ OIL PUMP ASSLY - DHRUV	1	1	
006025336V91	*	→ OIL PUMP ASSLY - DHRUV ELS	1	1	
000015916RD	*	→ SCREEN ASSY OIL PUMP	1	1	
006025509V1	*	→ GASKET OIL PUMP TO STRAINER - DHRUV ELS	1	1	
000179791	*	→ BOLT HEX G6.35 X 1.27 X 12.7 X 5	2	2	
001082010R2	*	→ WASHER G 6.35 MM SPRING LOCK	2	2	
000020314E05	*	→ BOLT HEX M10X1.5X32X8.8	1	1	
006008575D91	*	→ IDLER GEAR ASSY. NVH COMPACT	1	1	
000703853R4	*	→ IDLER GEAR SHAFT	1	1	
001232850R1	*	→ PIN ROLL 4.9MMX15.9MM	1	1	
006018321V1	*	→ IDLER GEAR BOLT M12X1.25X50.5-10.9 GRADE	1	1	
006017794V1	*	→ GASKET_FRONT_COVER_BANCO_DHRUV	1	1	
006014039V1	*	→ COVER CRANKCASE FRONT DHRUV	1	1	
006015011V1	*	→ OIL SEAL CRANKSHAFT FRONT SFN -DHRUV	1	1	
000020777E05	*	→ NUT HEX FL M8X1.25X8.7X8	4	4	
000020254E05	*	→ BOLT HEXFL M8X1.25X45.5X8.8	9	9	
000020792E05	*	→ BOLT HEXFL M8X1.25X70.7X8.8	6	6	
000020256E05	*	→ BOLT HEXFL M8X1.25X55X8.8	1	1	
000020307E05	*	→ BOLT HEXFL M8X1.25X20X8.8	1	1	
006020781V1	*	→ ADAPTOR BLOWBY- DHRUV	1	1	
006016824V1	*	→ RADIAL O-RING-ID33.5*THK2.65	1	1	
006020780V91	*	→ PIPE BLOWBY - DHRUV	1	1	
005556668R91	*	→ HD4EP-201,CLIP PIPE RES.TO PUMP-WORM	1	1	
006014907V1	*	→ COVER - FIP GEAR DHRUV	1	1	
006015004V1	*	→ O RING FIP GEAR COVER-DHRUV	1	1	
000020312E05	*	→ BOLT HEXFL M6X1.00X20.5X8.8	3	3	
000708907R1	*	→ GASKET RETAINER CR OIL SEAL	1	1	

ENGINE - COMPLETE, HALF & REPAIR KITS

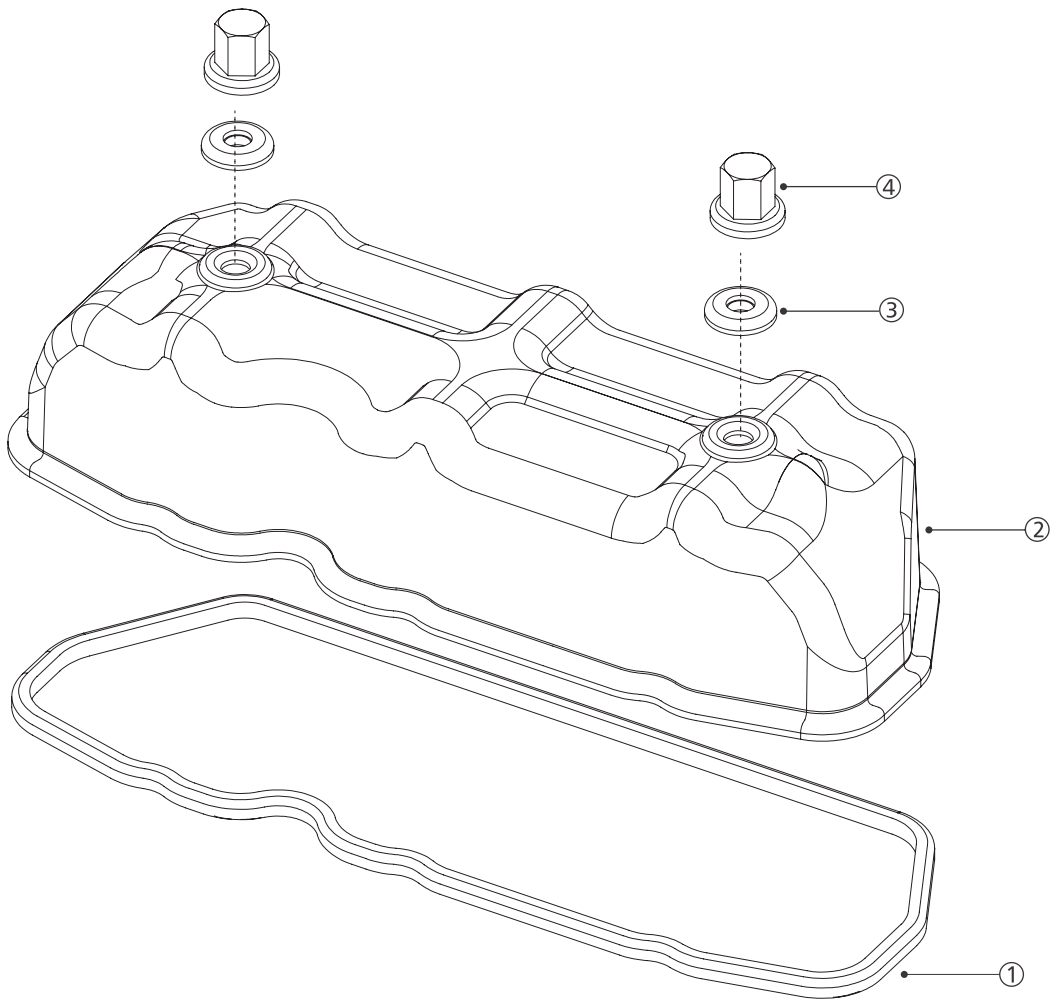
M&M Part Number	Ref.	Description of Part	Quantity		Remarks / Service Bulletin No.
			3DI	4DI	
006015024V1	*	→ RETAINER CRANK REAR OIL SEAL - DHRUV	1	1	
006015012V1	*	→ OIL SEAL CRANKSHAFT REAR SFN - DHRUV	1	1	
000020309E05	*	→ BOLT HEXFL M8X1.25X25.5X8.8	7	7	
006014899V1	*	→ OIL SUMP 3DI DHRUV	1	-	
006014897V1	*	→ OIL SUMP 4DI DHRUV	-	1	
006503852D1	*	→ BOLT HEX M10X1.5X70X8.8	10	12	
006000554H1	*	→ BOLT HEX M10X1.25X130X8.8	4	4	
000022273RD	*	→ WASHER SPRING LOCK M10	17	14	
006000110F1	*	→ PLUG HEX HEAD SCREW-Rear Earth Magnet	1	1	
006022336V1	*	→ WASHER OIL DRAIN PLUG DHRUV	1	1	
006018119V91	*	→ DIPSTICK ASSY 3DI TC- DHRUV	1	-	
006018120V91	*	→ DIPSTICK ASSY 4DI NA- DHRUV	-	1	
006020761V1	*	→ DIPSTICK ADAPTOR	1	1	
000020808E05	*	→ ADAPTER FOR OIL PRESSURE TRANSDUCER	1	1	
000022019RD	*	→ TAPPET VALVE	6	8	
		SET OF SLEEVE, PISTON, RINGS			
006024058V91	*	SET of Sleeve, Piston, Rings	3	4	
006028441V91	*	SET of Sleeve, Piston, Rings ELS	3	4	
006015926V1	*	→ PISTON NA DHRUV	3	4	
006025427V1	*	→ PISTON NA DHRUV ELS	3	4	
000020418E05	*	→ PIN PISTON	3	4	
000020419E05	*	→ RETAINER PISTON PIN	6	8	
006024062V91	*	→ SET Piston Ring	3	4	
006014927G1	*	→ SLEEVE (LINER) DHRUV	3	4	
006020783V1	*	→ O' RING SLEEVE CRANKCASE HNBR	6	8	
		KIT MAJOR REPAIR			
006027490V91	*	KIT Major Engine Repair 31 HP	1	-	
006024056V91	*	KIT Major Engine Repair 35 HP	1	-	
006024069V91	*	KIT Major Engine Repair 39 HP & 42 HP	-	1	
006027491V91	*	KIT Major Engine Repair 45HP	-	1	
006015011V1	*	→ OIL SEAL CRANKSHAFT FRONT SFN -DHRUV	1	1	
006015012V1	*	→ OIL SEAL CRANKSHAFT REAR SFN - DHRUV	1	1	
000172578	*	→ PLUG EXPANSION G 44.45MM	1	1	
005550349R91	*	→ SEAL VALVE	6	8	
005557570R1	*	→ VALVE SPRING - STIFFENED	6	8	
006022334V1	*	→ SCREW M6 X 1	1	1	
006027504V91	*	→ SET of Valves Cpte	1	1	
006024058V91	*	→ SET of Sleeve, Piston, Rings	3	4	
006024068V91	*	→ SET of Sleeve, Piston, Rings ELS	3	4	
006024060V91	*	→ GASKET Package Engine Cpte.	1	-	
006024071V91	*	→ GASKET Package Engine Cpte.	-	1	

* Parts Not Illustrated / ‡ Not Serviceable Separately / ♦ Alternate Part Number / A/R As Required

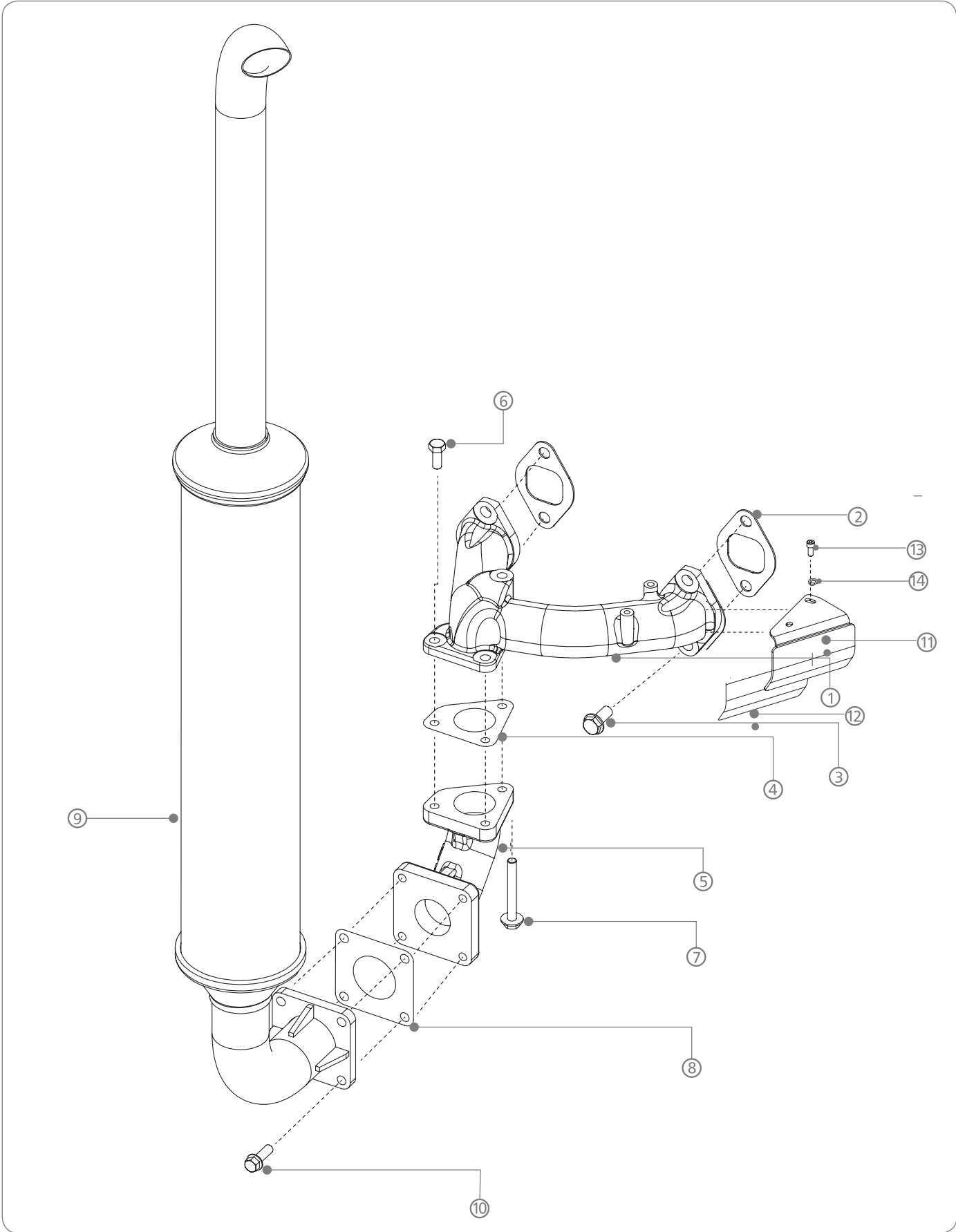
ENGINE - COMPLETE, HALF & REPAIR KITS

M&M Part Number	Ref.	Description of Part	Quantity		Remarks / Service Bulletin No.
			3DI	4DI	
KIT MINOR REPAIR					
006024059V91	*	KIT Minor Engine Repair	1	-	
006024070V91	*	KIT Minor Engine Repair	-	1	
006024062V91	*	→ SET Piston Ring	1	-	
006020783V1	*	→ O' RING SLEEVE CRANKCASE HNBR	6	8	
006014927G1	*	→ SLEEVE (LINER) DHRUV	3	4	
006020087V1	*	→ GASKET_INTAKE MANIFOLD_3DI_DHRUV	1		
006020086V1	*	→ GASKET_INTAKE MANIFOLD_4DI_DHRUV		1	
006022153V1	*	→ GASKET-EXH-MANIFOLD-DHRUV	2	2	
006017552V1	*	→ GASKET VALVE HOUSING COVER - 3DI - BANCO	1		
006017553V1	*	→ GASKET VALVE HOUSING COVER - 4DI - BANCO		1	
006015001V1	*	→ GASKET CYLINDER HEAD 3DI- DHRUV	1		
006015000V1	*	→ GASKET CYLINDER HEAD 4DI- DHRUV		1	
GASKET PACKAGE					
006024060V91	*	GASKET Package Engine Cpte.	1	-	
006024071V91	*	GASKET Package Engine Cpte.	-	1	
006017796V1	*	→ GASKET FRONT PLATE BANCO DHRUV	1	1	
006025888V1	*	→ GASKET F.I.P.	1	1	
006017794V1	*	→ GASKET FRONT COVER BANCO DHRUV	1	1	
000708907R1	*	→ GASKET RETAINER CR OIL SEAL	1	1	
006020087V1	*	→ GASKET_INTAKE MANIFOLD_3DI_DHRUV	1	-	
006020086V1	*	→ GASKET_INTAKE MANIFOLD_4DI_DHRUV	-	1	
000015490RD	*	→ GASKET 3 DI THERMOSTAT HSG AVL	1	-	
001233545R1	*	→ GASKET 4 DI THERMOSTAT HSG AVL	-	1	
003065125R2	*	→ GASKET THERMOSTAT	1	-	
006015001V1	*	→ GASKET CYLINDER HEAD 3DI- DHRUV	1	-	
006015000V1	*	→ GASKET CYLINDER HEAD 4DI- DHRUV	-	1	
006022153V1	*	→ GASKET-EXH-MANIFOLD-DHRUV	2	2	
006017552V1	*	→ GASKET VALVE HOUSING COVER - 3DI DHRUV	1	-	
006017552V1	*	→ GASKET VALVE HOUSING COVER - 4DI DHRUV		1	
006015017V1	*	→ GASKET PIPE - STUB PIPE - DHRUV 39HP,45HP		1	
006018720V1	*	→ GASKET_CENTRIFUGAL FILTER HEAD_DHRUV	1	1	
006014898V1	*	→ GASKET OIL FILTER - DHRUV	1	1	
006015025V1	*	→ GASKET STUB PIPE - SILENCER - DHRUV	1	1	
ENGINE MAIN BEARING SETS					
006024048V1	*	SET of Crankshaft Main Bearing Cpte	1	-	
006024072V91	*	SET of Crankshaft Main Bearing Cpte	-	1	
006014923V1	*	→ BEARING CR'SFT FRONT TOP KOL- DHRUV	3	4	
006014924V1	*	→ BEARING CR'SFT FRONT BOT KOL- DHRUV	3	4	
006014925V1	*	→ BEARING CR'SFT REAR TOP KOL- DHRUV	1	1	
006014926V1	*	→ BEARING CR'SFT REAR BOT KOL- DHRUV	1	1	

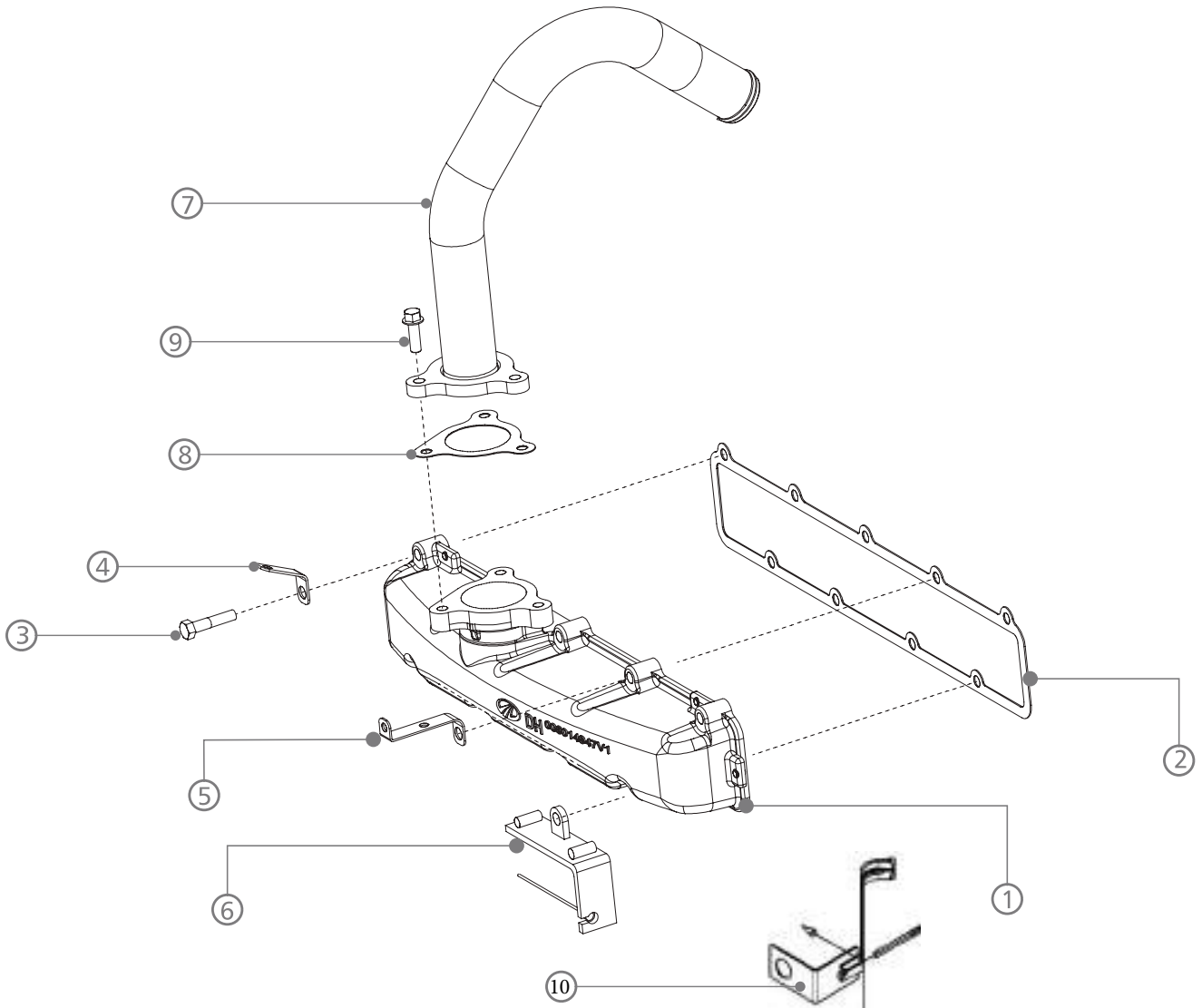
VALVE HOUSING COVER



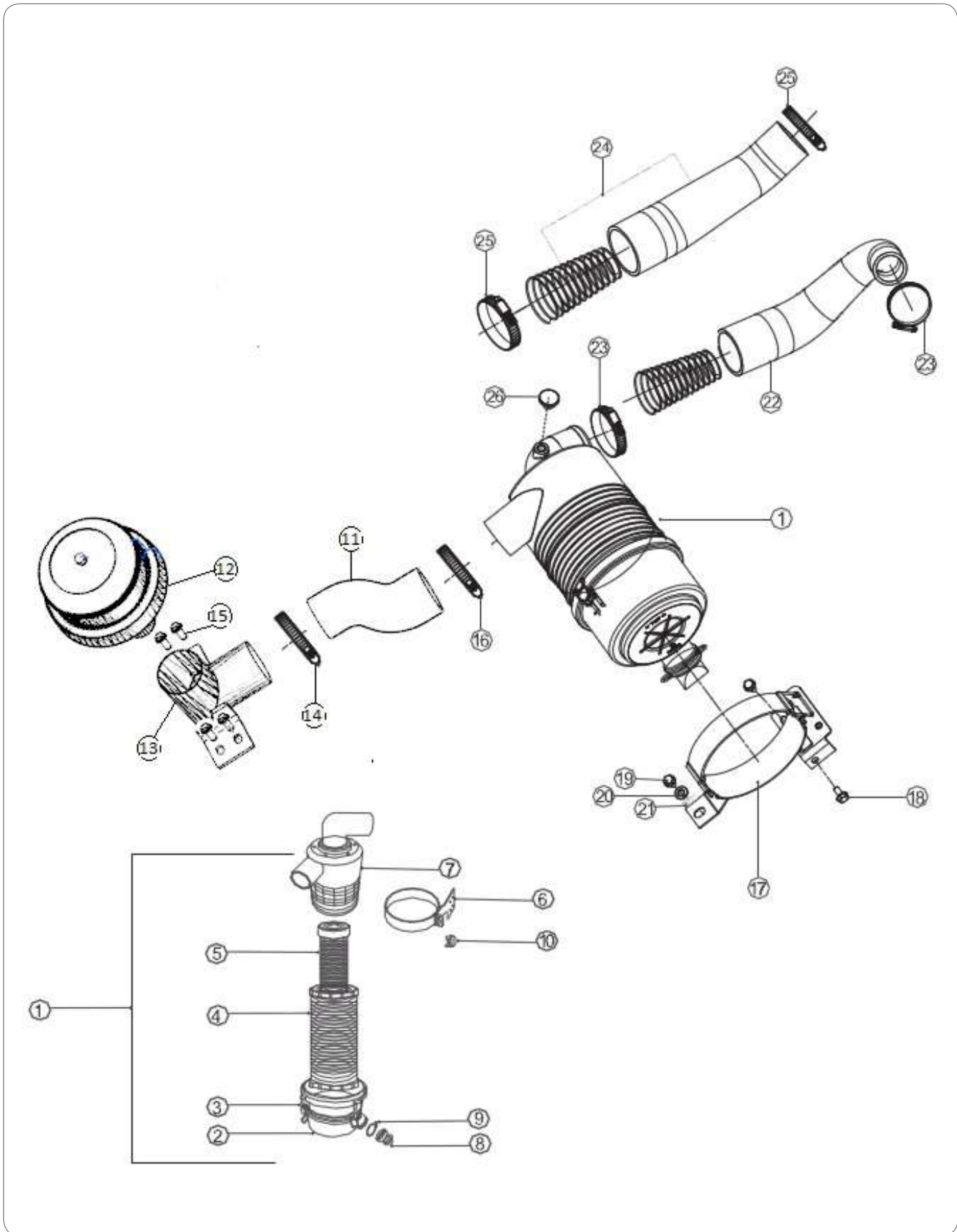
EXHAUST SYSTEM



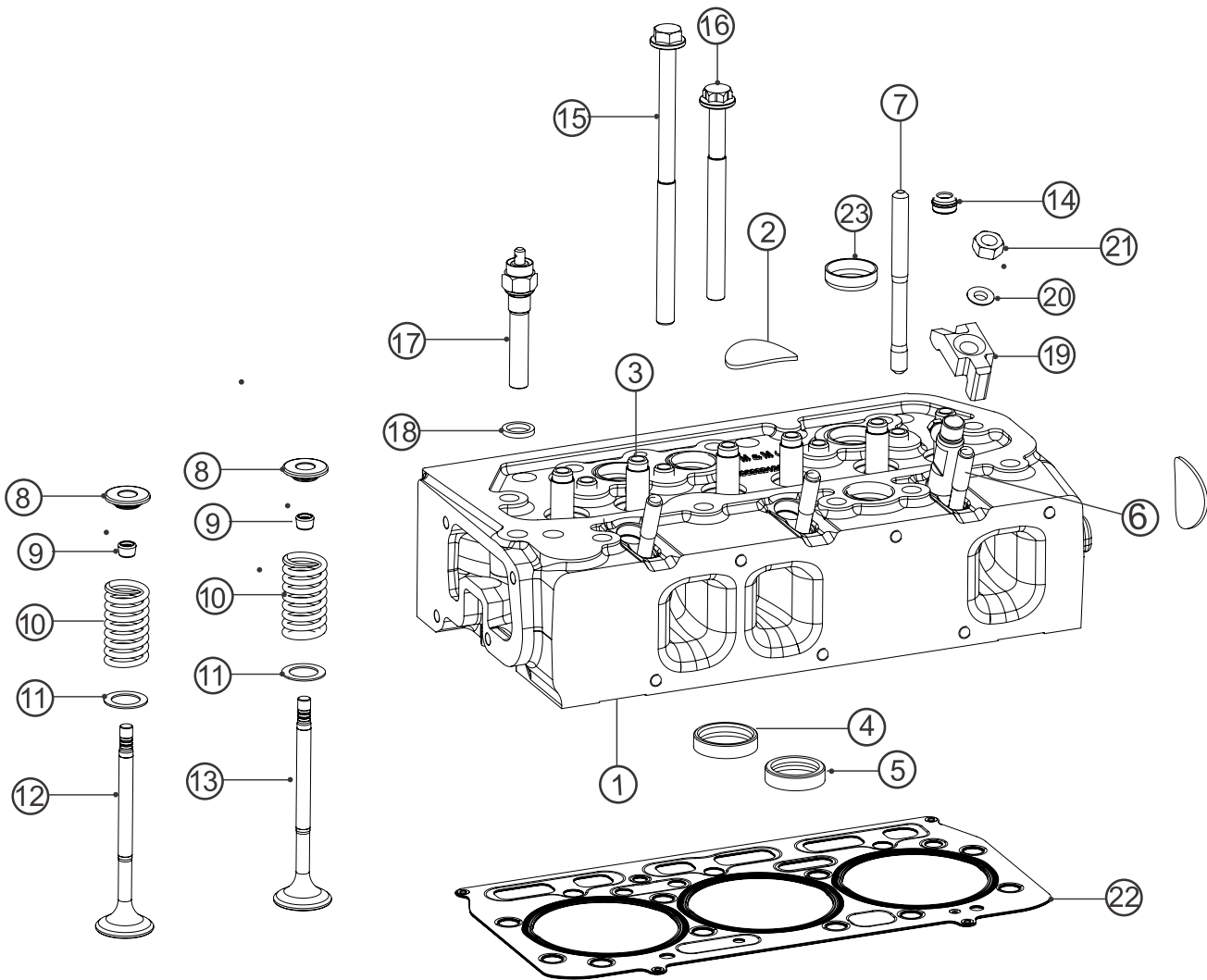
AIR INTAKE SYSTEM



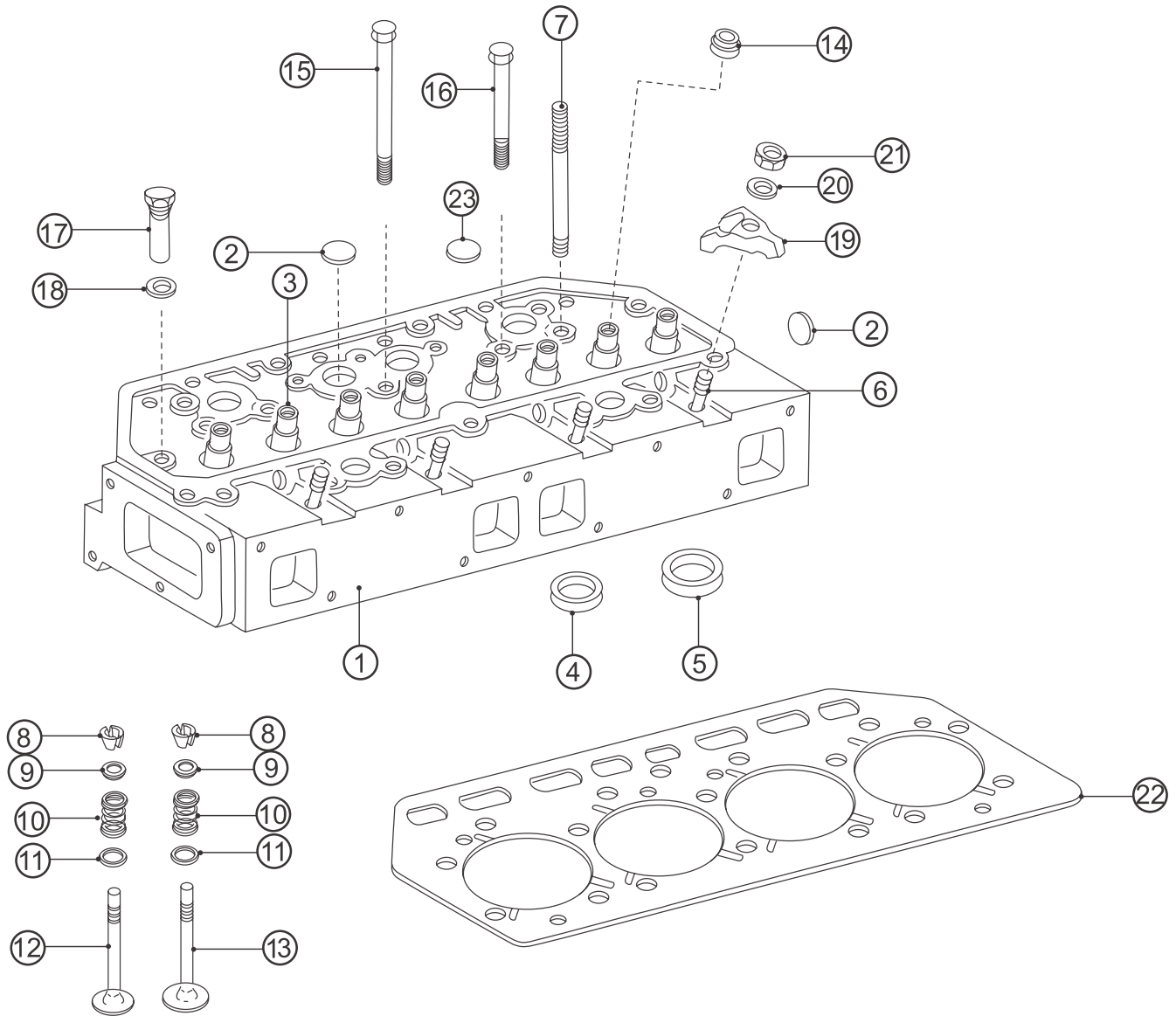
AIR INTAKE SYSTEM-DRY AIR CLEANER



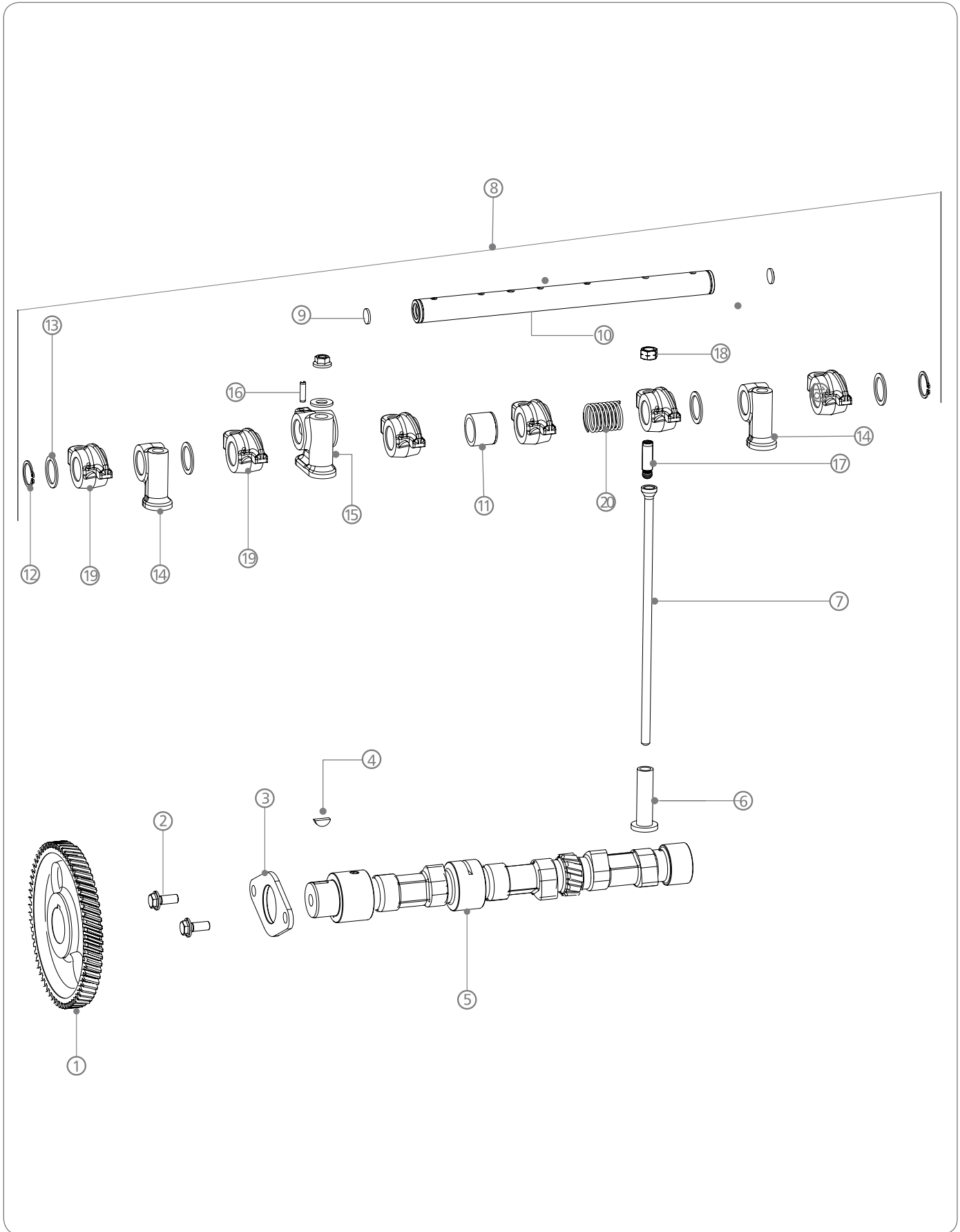
CYLINDER HEAD ASSY - 3DI



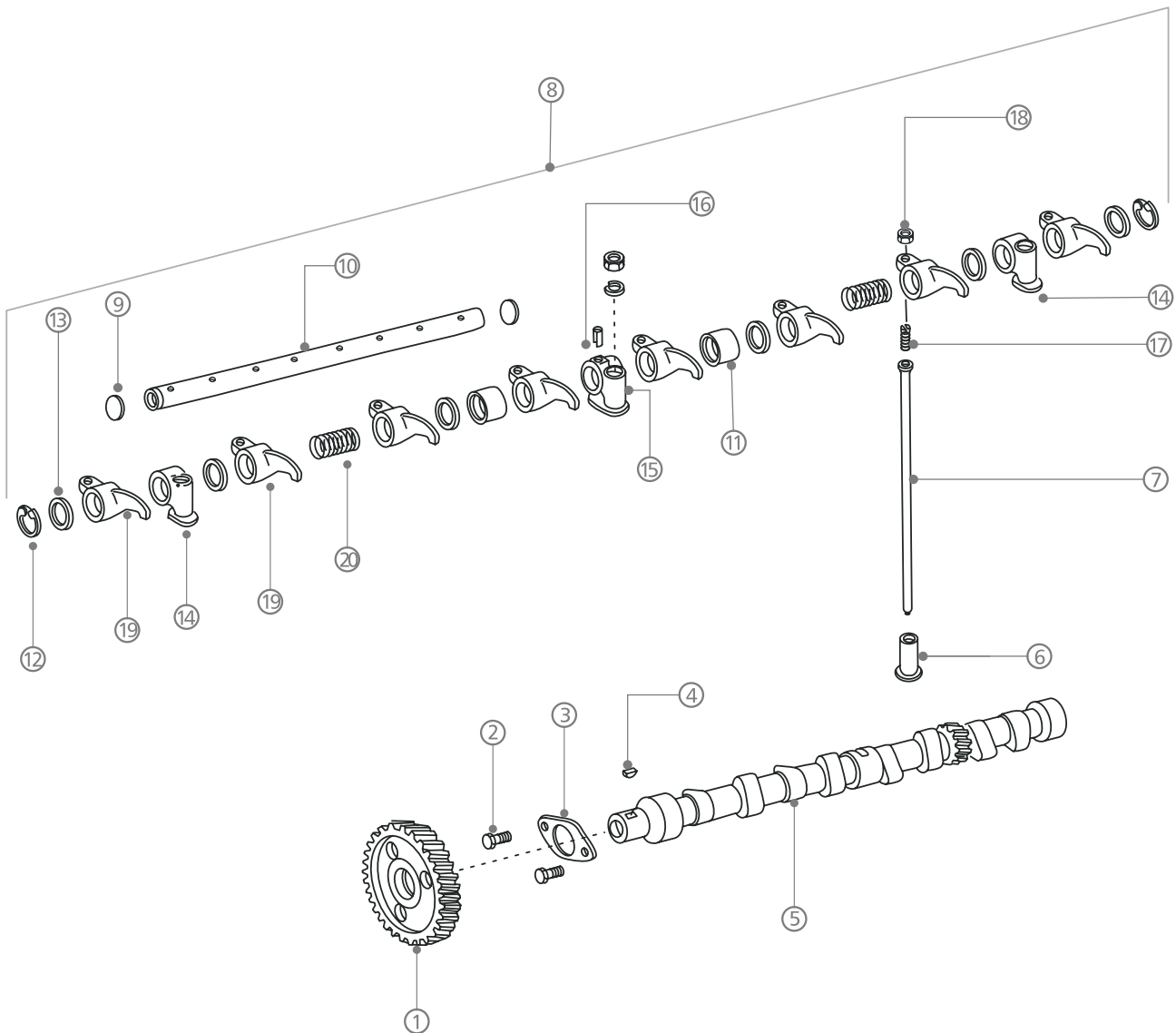
CYLINDER HEAD ASSY - 4DI



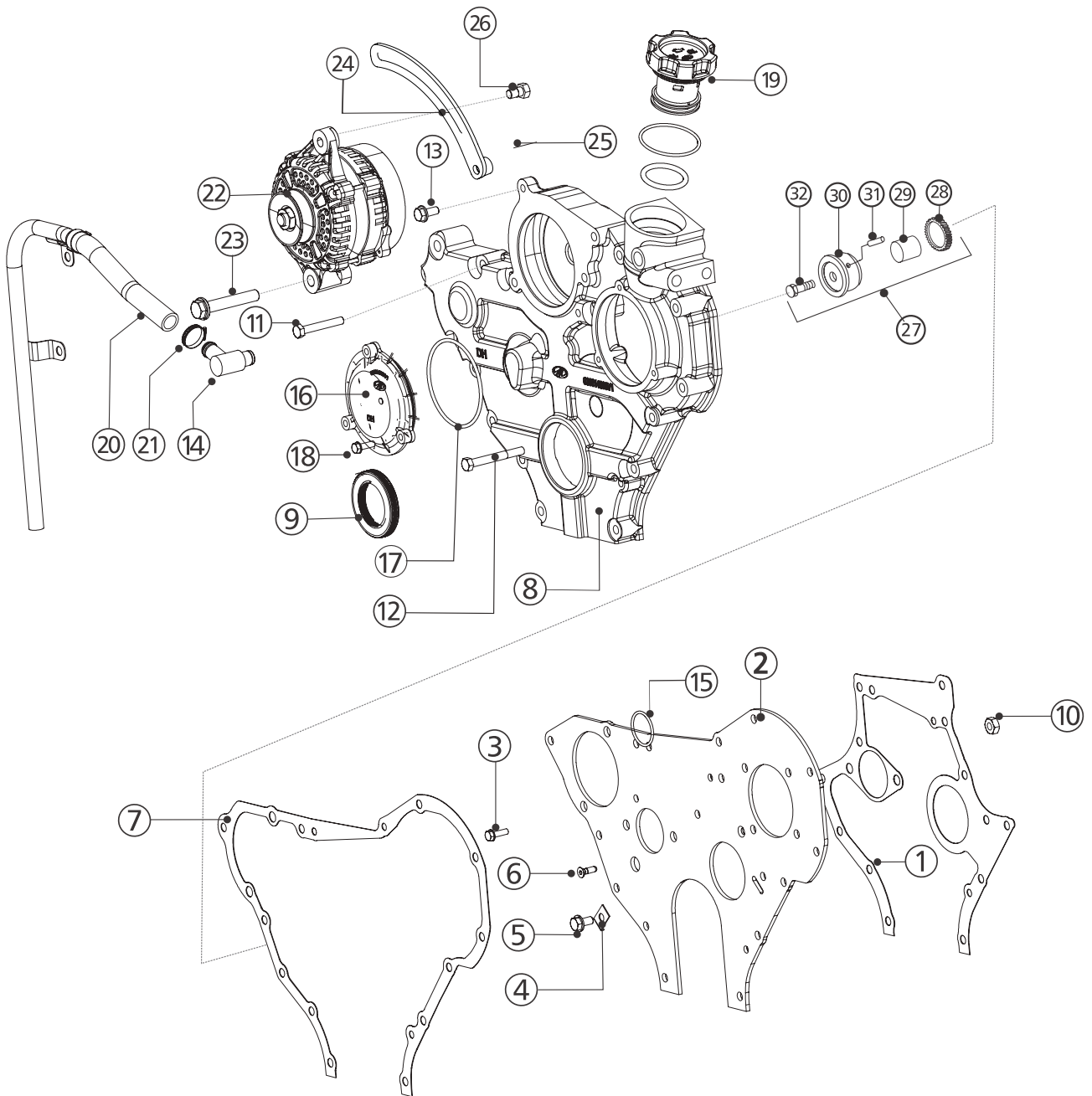
VALVE TRAIN - 3DI



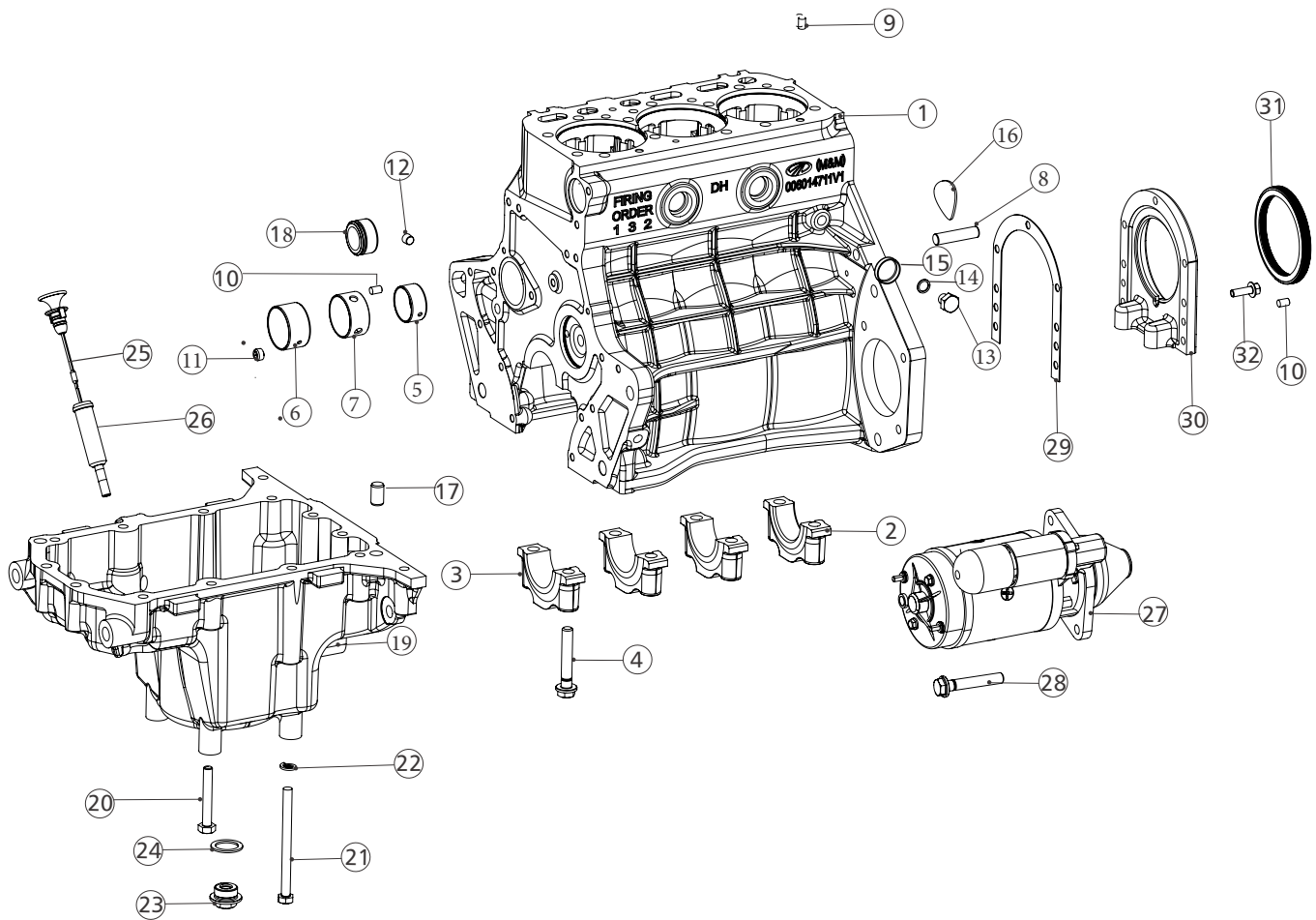
VALVE TRAIN - 4DI



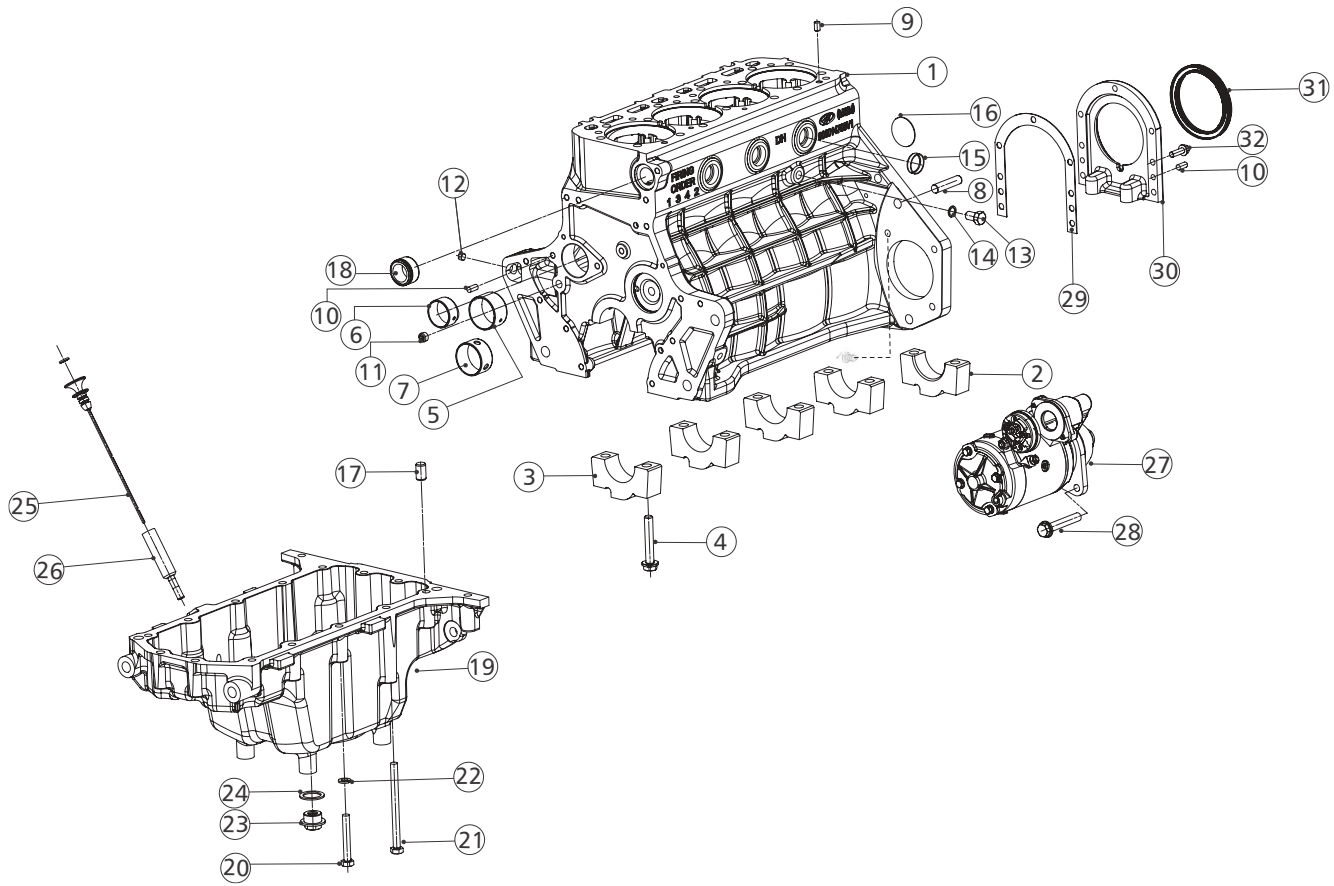
CRANKCASE FRONT COVER



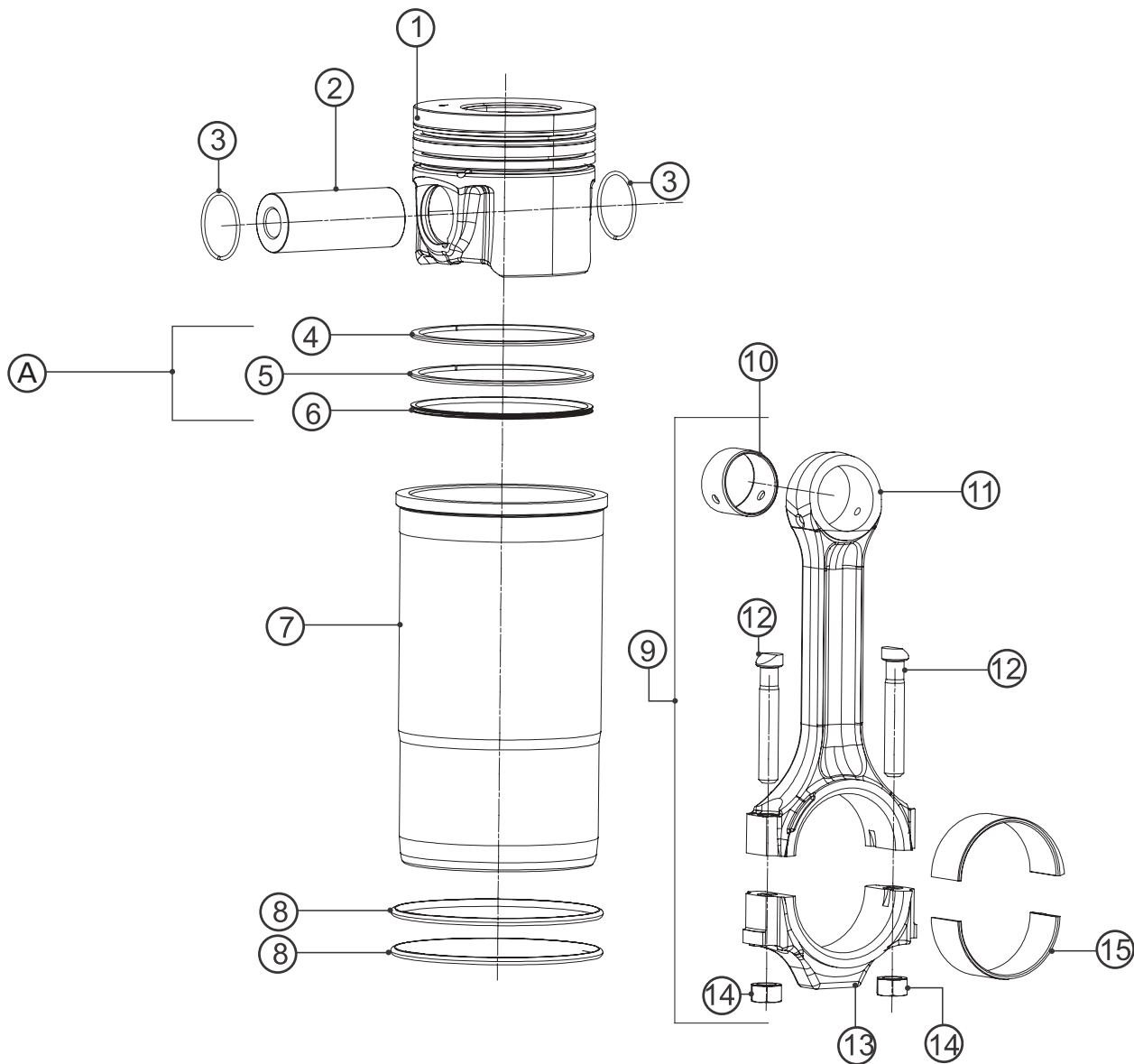
CRANCKASE WITH OIL PAN - 3DI



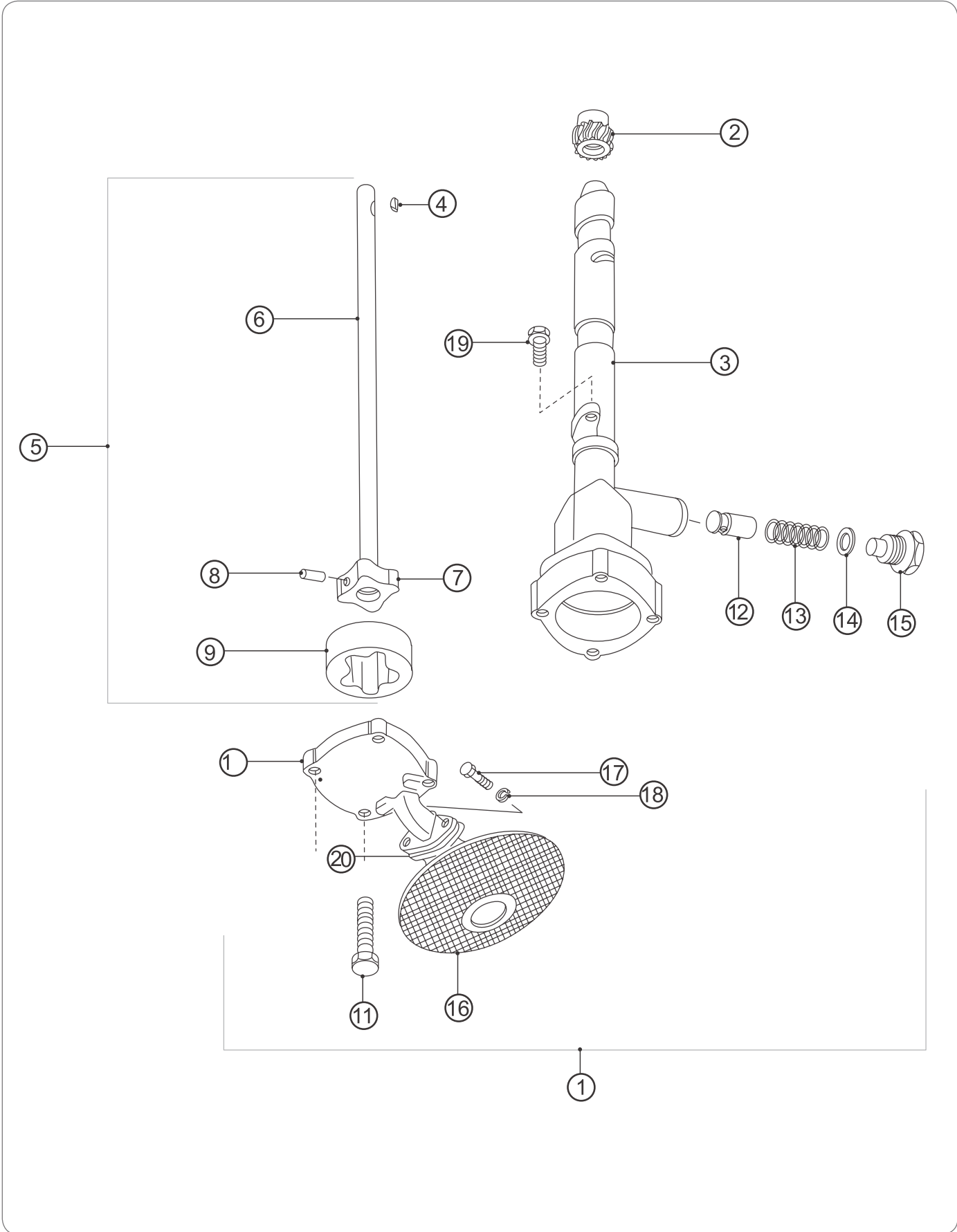
CRANCKCASE WITH OIL PAN - 4DI



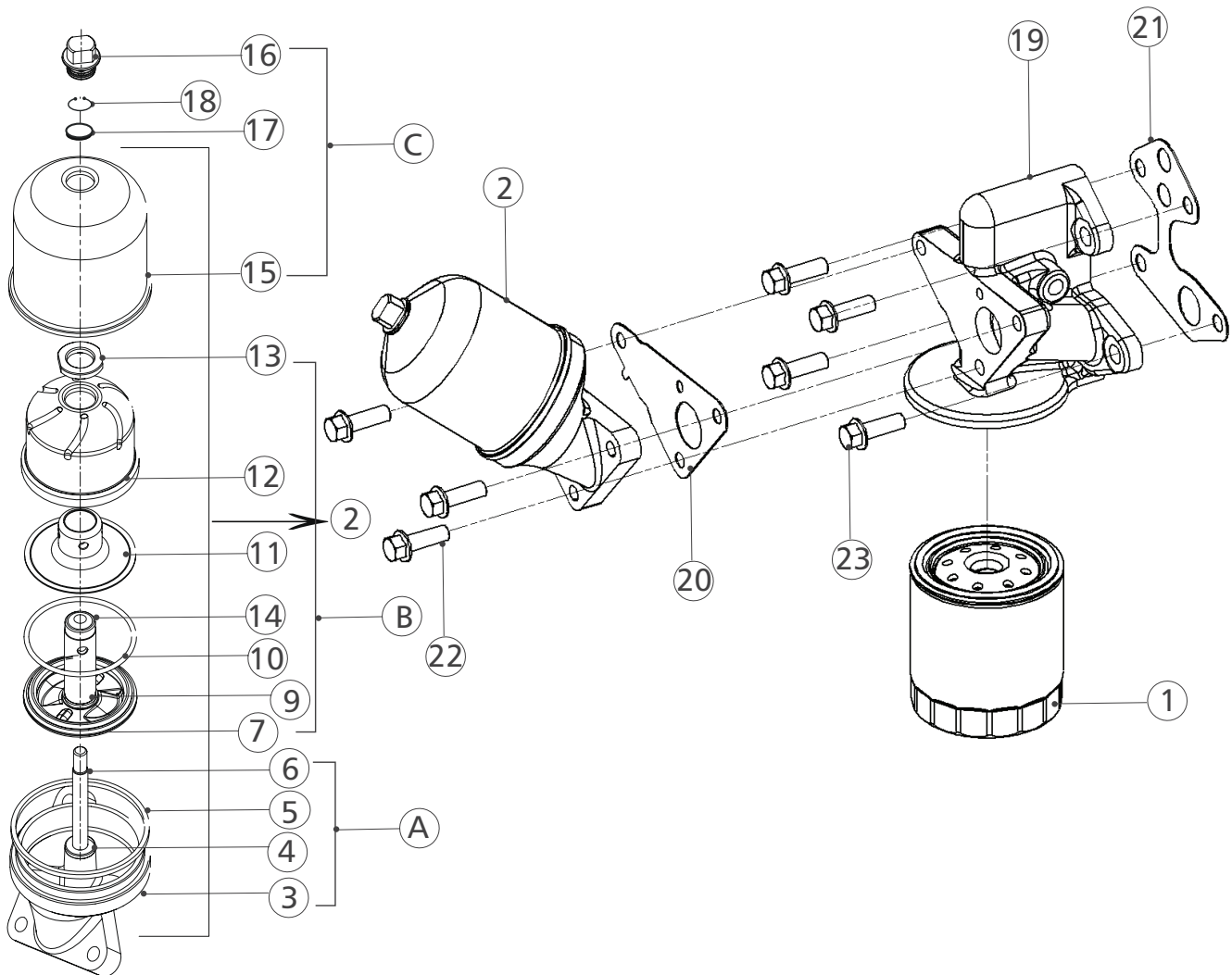
SLEEVE PISTON & CONNECTING ROD ASSEMBLY



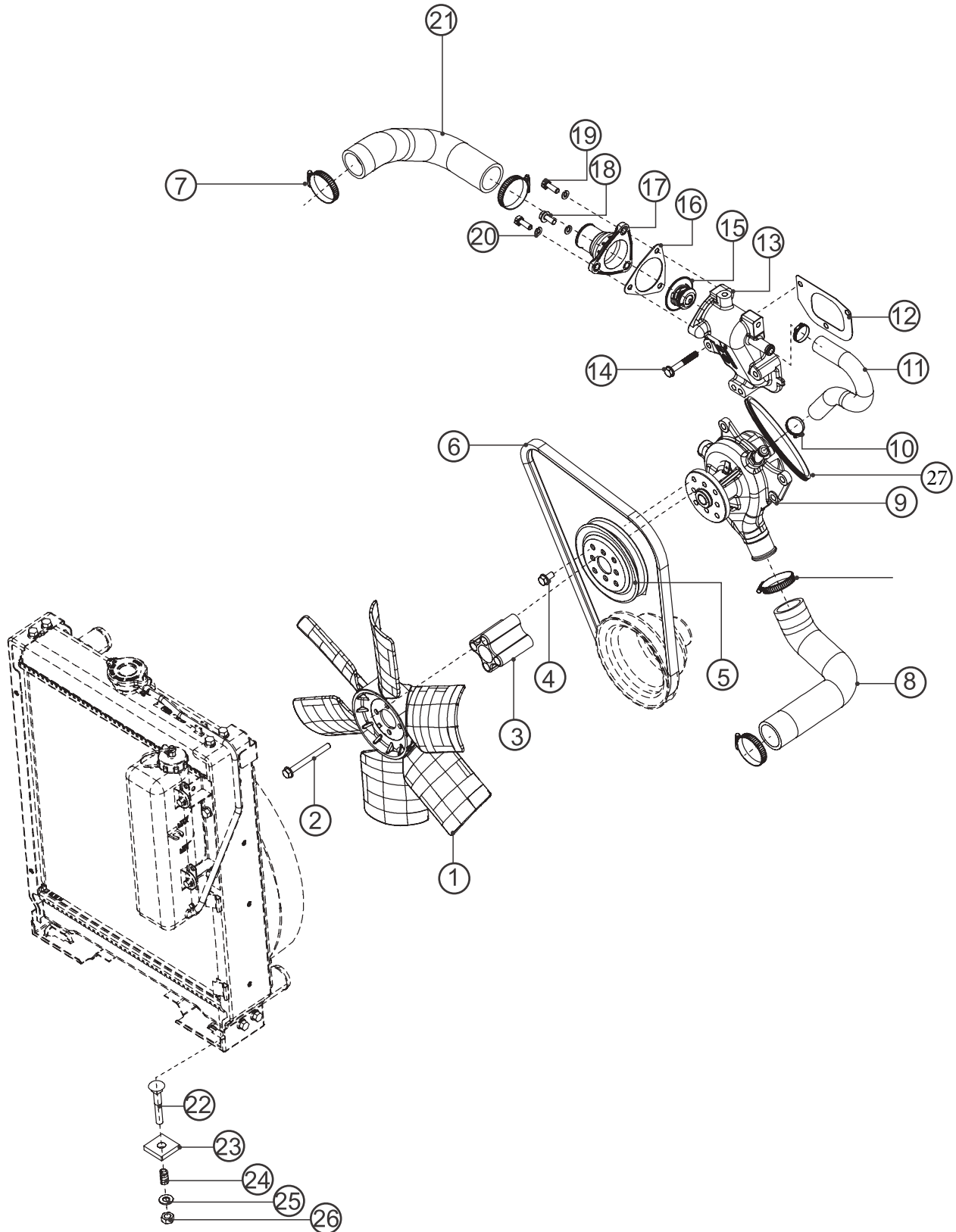
LUBRICATION SYSTEM



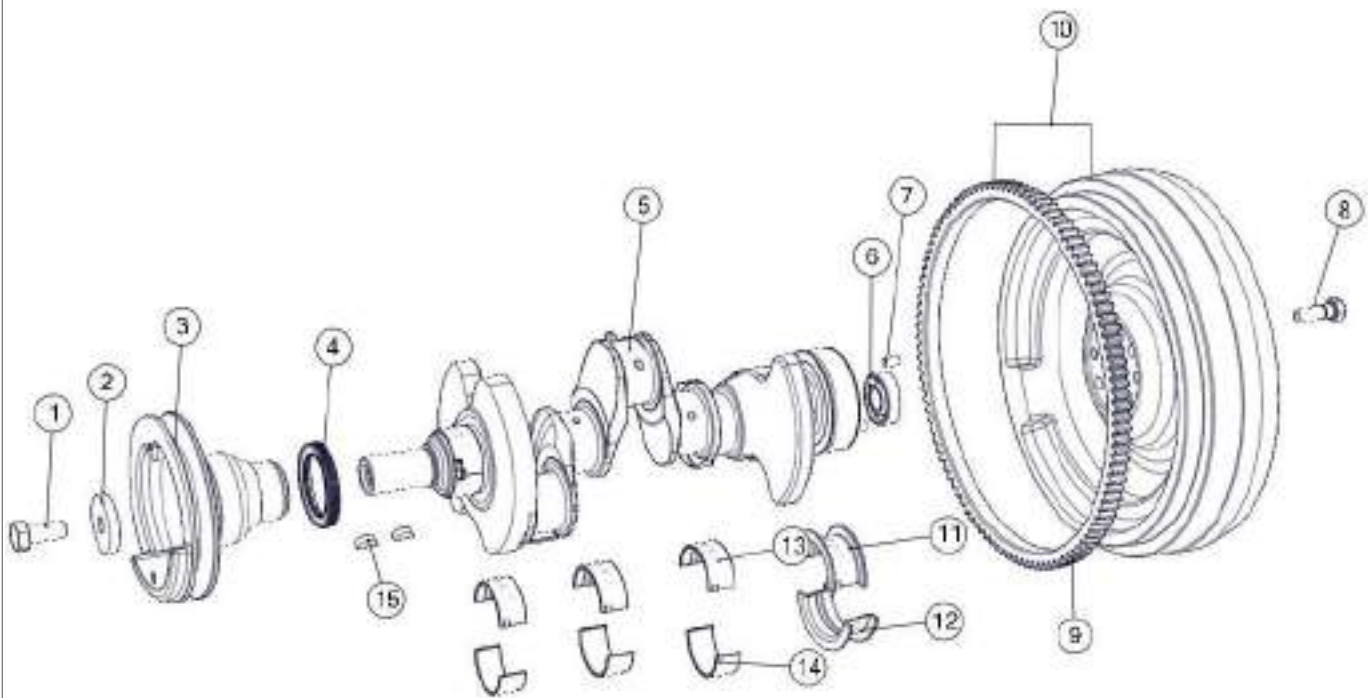
LUBRICATION SYSTEM (CENTRIFUGAL OIL FILTER)



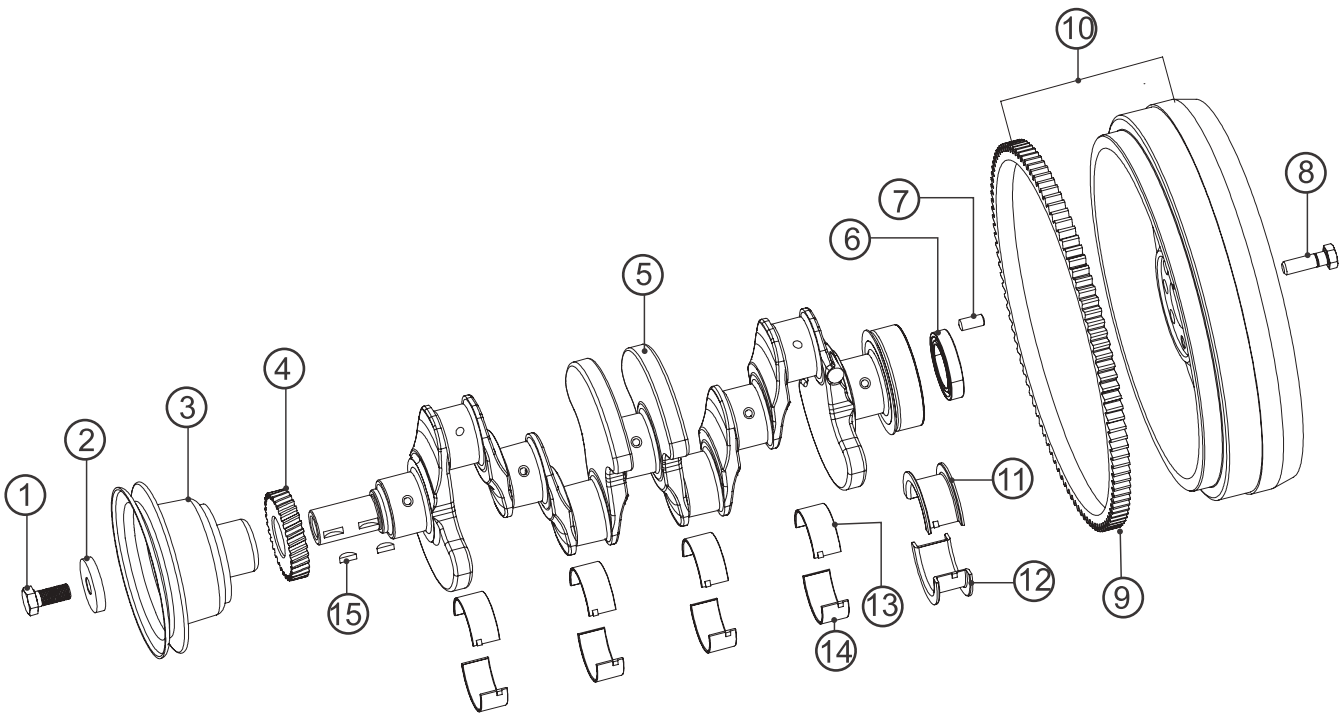
COOLING SYSTEM



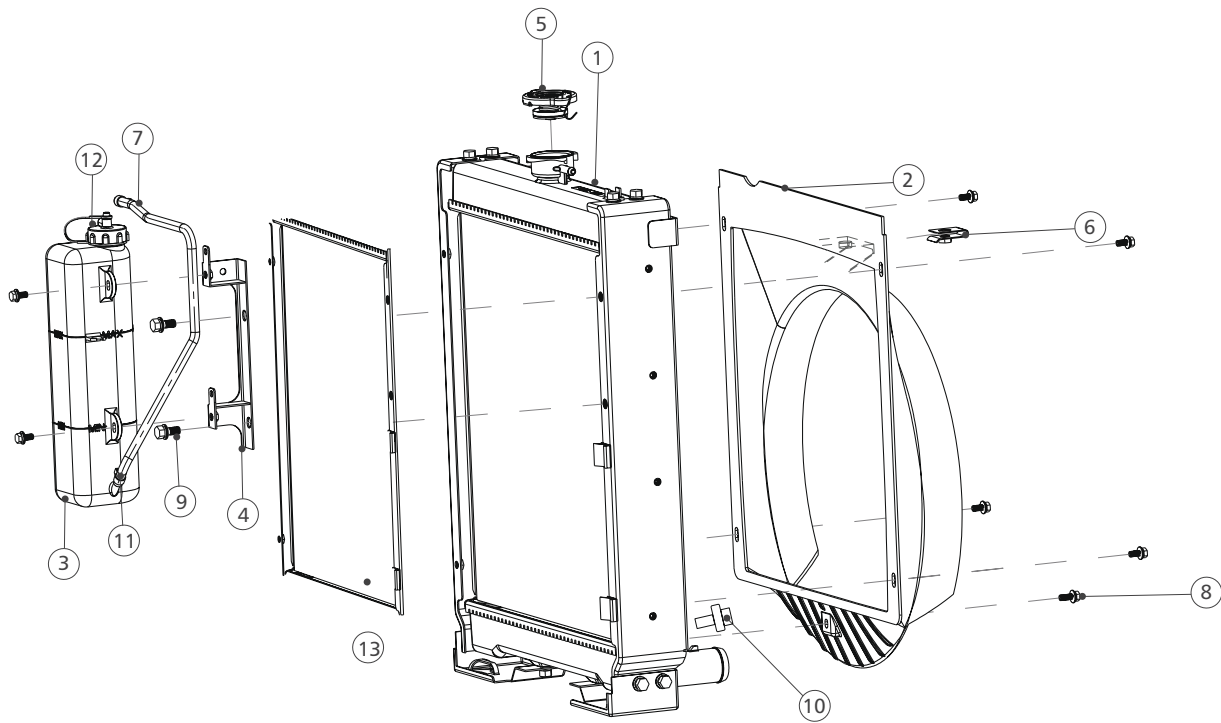
CRANKSHAFT ASSEMBLY - 3DI



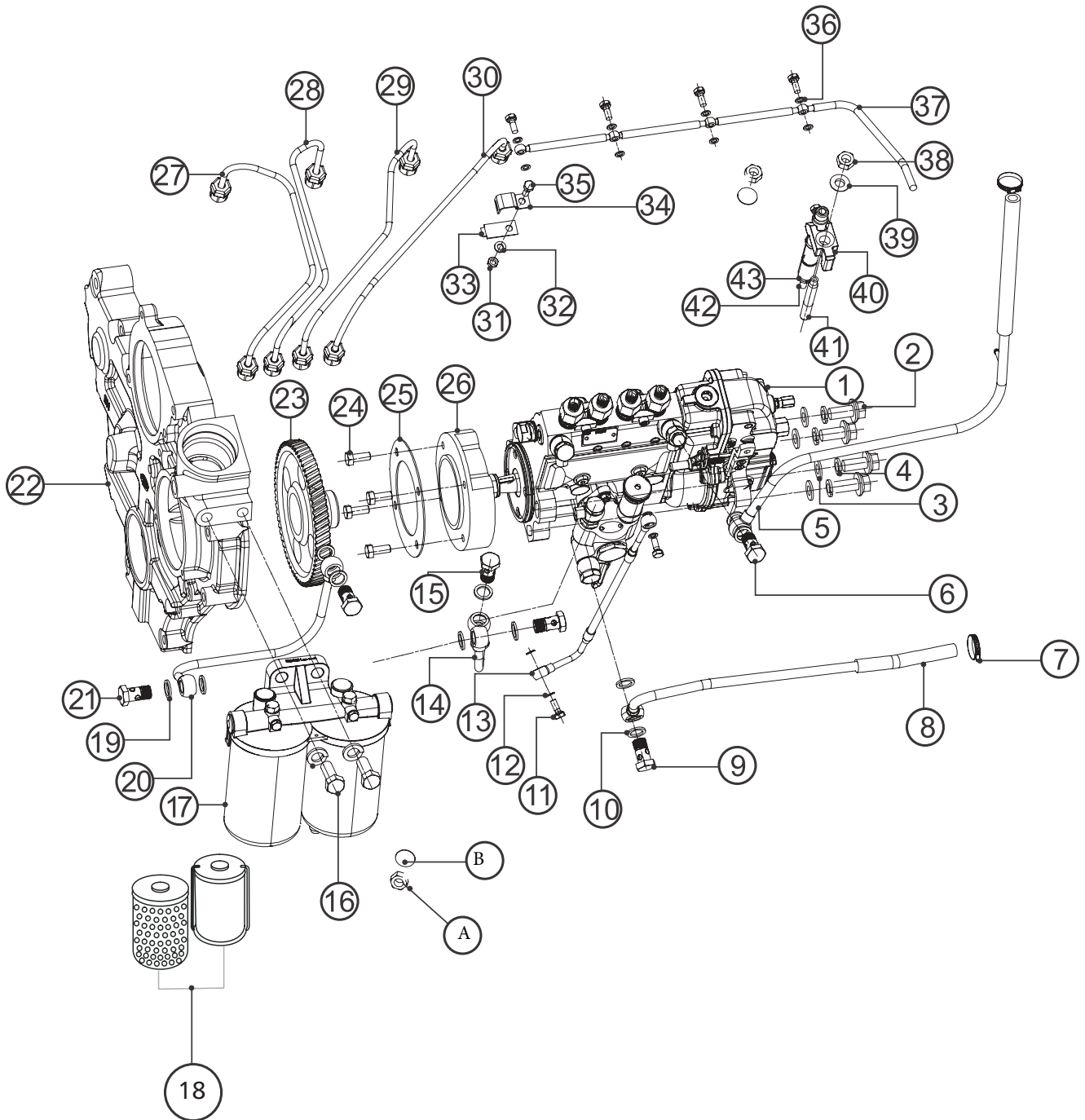
CRANKSHAFT ASSEMBLY - 4DI



RADIATOR ASSEMBLY



FUEL INJECTION SYSTEM



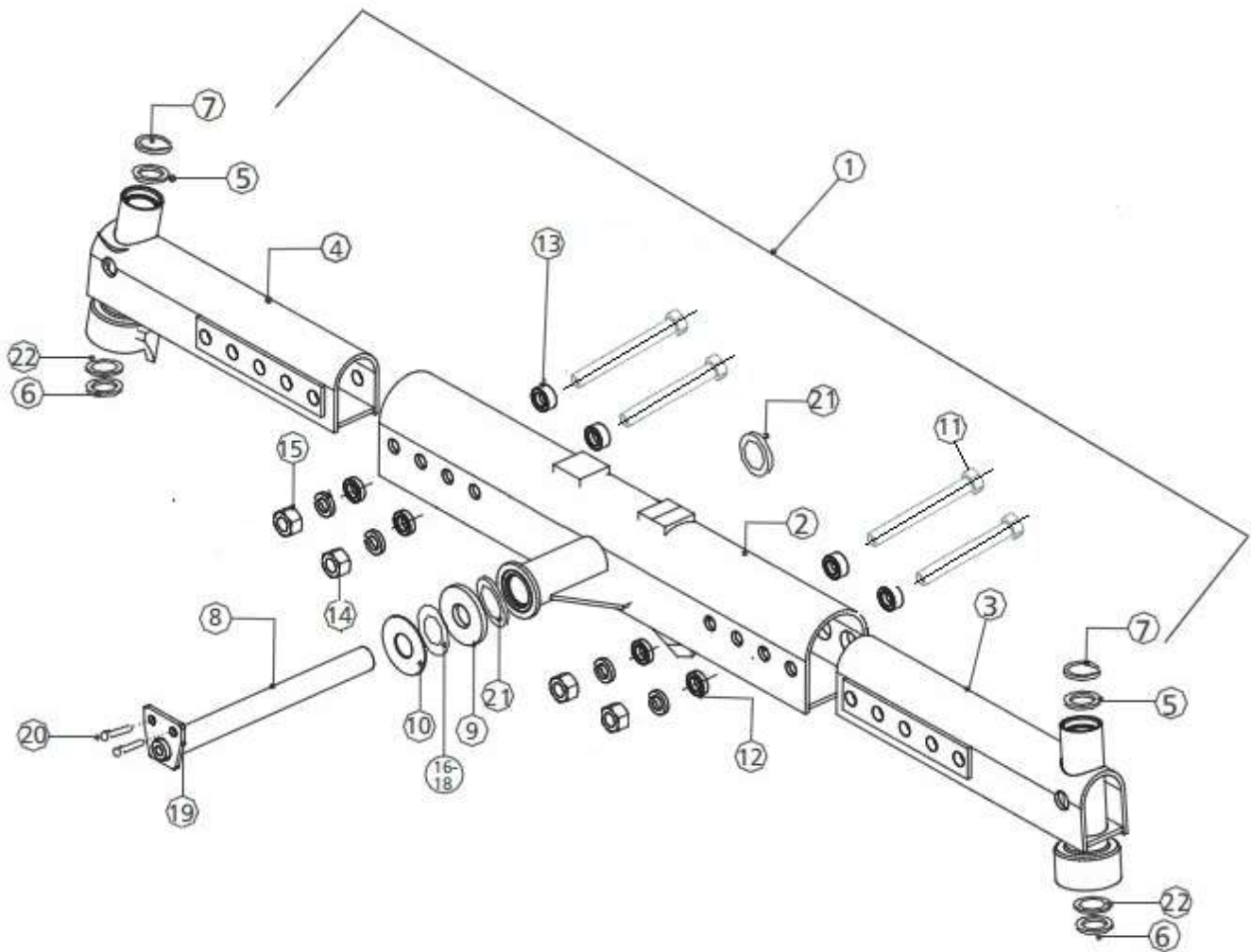
FUEL INJECTION SYSTEM

M&M Part Number	Ref.	Description of Part	Quantity		Remarks / Service Bulletin No.
			3DI	4DI	
‡	1	FIP INLINE 39HP DHRUV	1	-	
‡	1	FIP INLINE 42HP DHRUV	-	1	
000020314E05	2	BOLT HEXFL M10X1.5X35.5X8.8	4	4	
000022079RD	3	WASHER PLAIN M10	4	4	
000022273RD	4	WASHER SPRING LOCK M10	4	4	
006014964V91	5	PIPE FIP OVERFLOW 3DI - DHRUV	1	-	
006014963V91	5	PIPE FIP OVERFLOW 4DI - DHRUV	-	1	
‡	6	BOLT BANJO	1	1	
005556668R91	7	HD4EP-201,CLIP PIPE RES.TO PUMP-WORM	2	2	
006014957V91	8	PIPE TANK TO FEED PUMP 4DI - DHRUV	-	1	
006014958V91	8	PIPE TANK TO FEED PUMP 3DI - DHRUV	1	-	
001232932R1	9	BOLT BANJO-M14	4	4	
006011056B1	10	WASHER SEALING (GASKET) copper fuel sup.	4	4	
001081723R1	11	BOLT BANJO	2	2	
006009551F1	12	WASHER COPPER 0.413 * 0.528 *	4	4	
006009292B1	13	PIPE LUB OIL TO FIP 295DI	1	-	
006005669B1	13	PIP E CPT E FIP LUBRICATION	-	1	
006019645V91	14	PIPE FEEDPUMP TO FILTER DHRUV	1	1	
001232932R1	15	BOLT BANJO-M14	4	4	
000016469P04	16	BOLT HEXFL M12X1.75X35X10.9	2	2	
006014906V91	17	FUEL FILTER ASSLY - DHRUV	1	1	
006020810V1	18	▶ ELEMENT FUEL FILTER STAR TYPE DHRUV	2	2	
006023208V1	A	▶ SLUDGE SCREW NYLON	2	2	
006023209V1	B	▶ O- RING	2	2	
006011056B1	19	WASHER SEALING (GASKET) copper fuel sup.	8	8	
006019646V91	20	PIPE FUEL FILTER TO FIP DHRUV	1	1	
001232932R1	21	BOLT BANJO-M14	4	4	
006014039V1	22	CRANKCASE FRONT COVER	1	1	
006013257B1	23	BS3A STEEL FIP GEAR	1	1	
000020307E05	24	BOLT Flanged M8 X 1.25- 6g X 20 HEX-H3	4	4	
006025888V1	25	GASKET F.I.P.ADAPTER PLATE	1	1	
006011999B1	26	FIP FLANGE PLATE BS3A	1	1	
006014951V91	27	PIPE - HPP CYL NO 1 TC DHRUV -39 HP,45HP	1	1	
006014719V91	27	PIPE - HPP CYL NO 1 NA DHRUV-31 HP, 39 HP,42HP,	1	1	
006014952V91	28	PIPE - HPP CYL NO 2 TC DHRUV 39 HP,45HP	1	-	
006014720V91	28	PIPE - HPP CYL NO 2 NA DHRUV 31HP,39HP,42HP	1	1	
006014953V91	29	PIPE - HPP CYL NO 3 TC DHRUV 39HP,45HP	1	-	
006014721V91	29	PIPE - HPP CYL NO 3 NA DHRUV 31HP,39HP,42HP	1	1	
006014954V91	30	PIPE - HPP CYL NO 4 NA DHRUV 45 HP	-	1	
001233807R1	31	NUT HEX M6 X 1.0 X 5 X 6.6	2	2	
001233808R1	32	WASHER SPRING M6	2	2	
000022201RD	33	CLAMP INJ PIPE MALE	2	2	
000022202RD	34	CLAMP FEMALE	2	2	
000022206RD	35	BOLT HEX M6X1X16X8.8	2	2	
‡	36	COPPER WASHER	6	4	
006014900V1	37	PIPE INJECTOR SPILL 3DI - DHRUV	1	-	
006014965V91	37	PIPE INJECTOR SPILL 4DI - DHRUV	-	1	
000020777E05	38	NUT HEX FL M8 X 1.25 X 8.7 X 8	3		

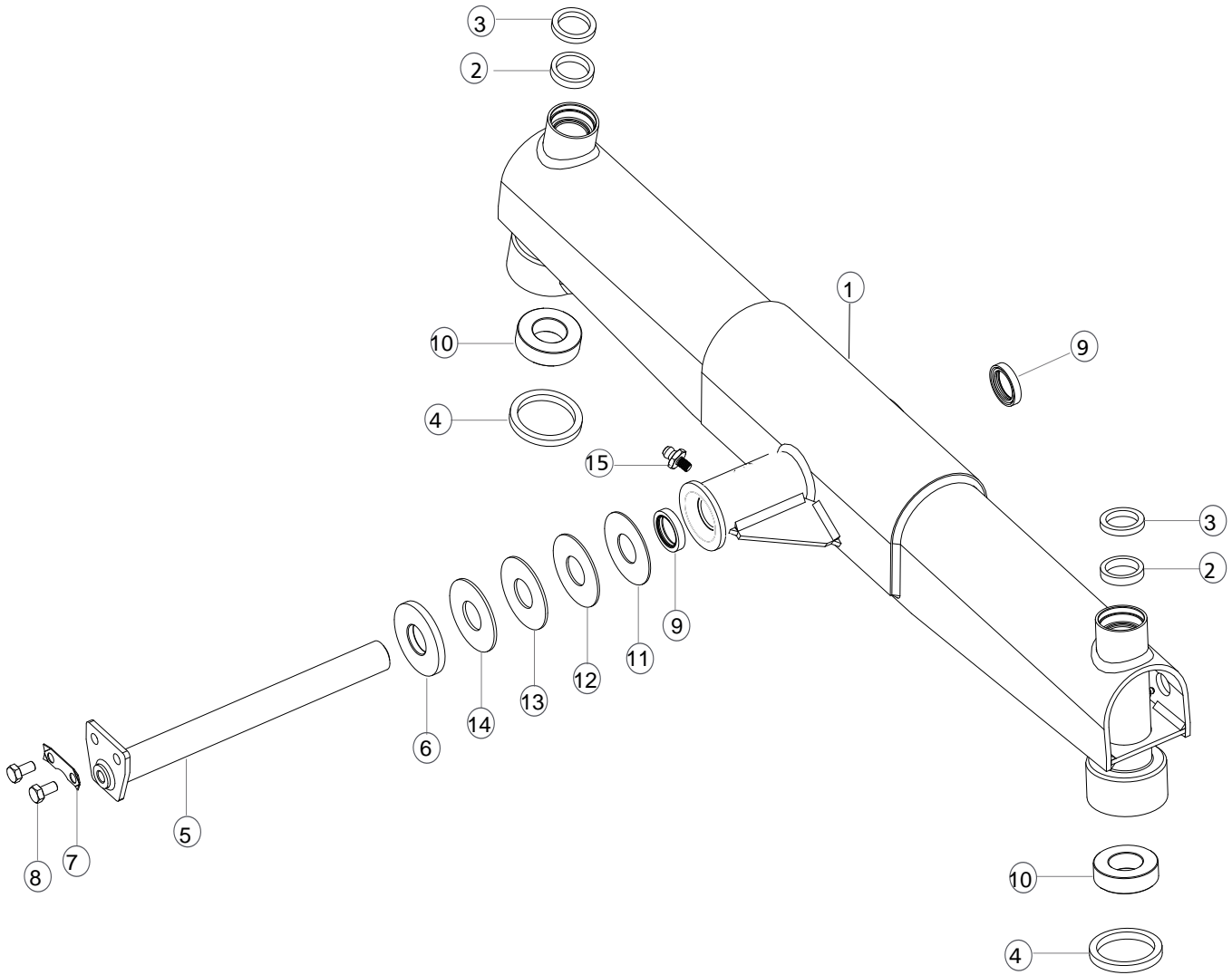
* Parts Not Illustrated / ‡ Not Serviceable Separately / ◆ Alternate Part Number / A/R As Required

SHEET METAL

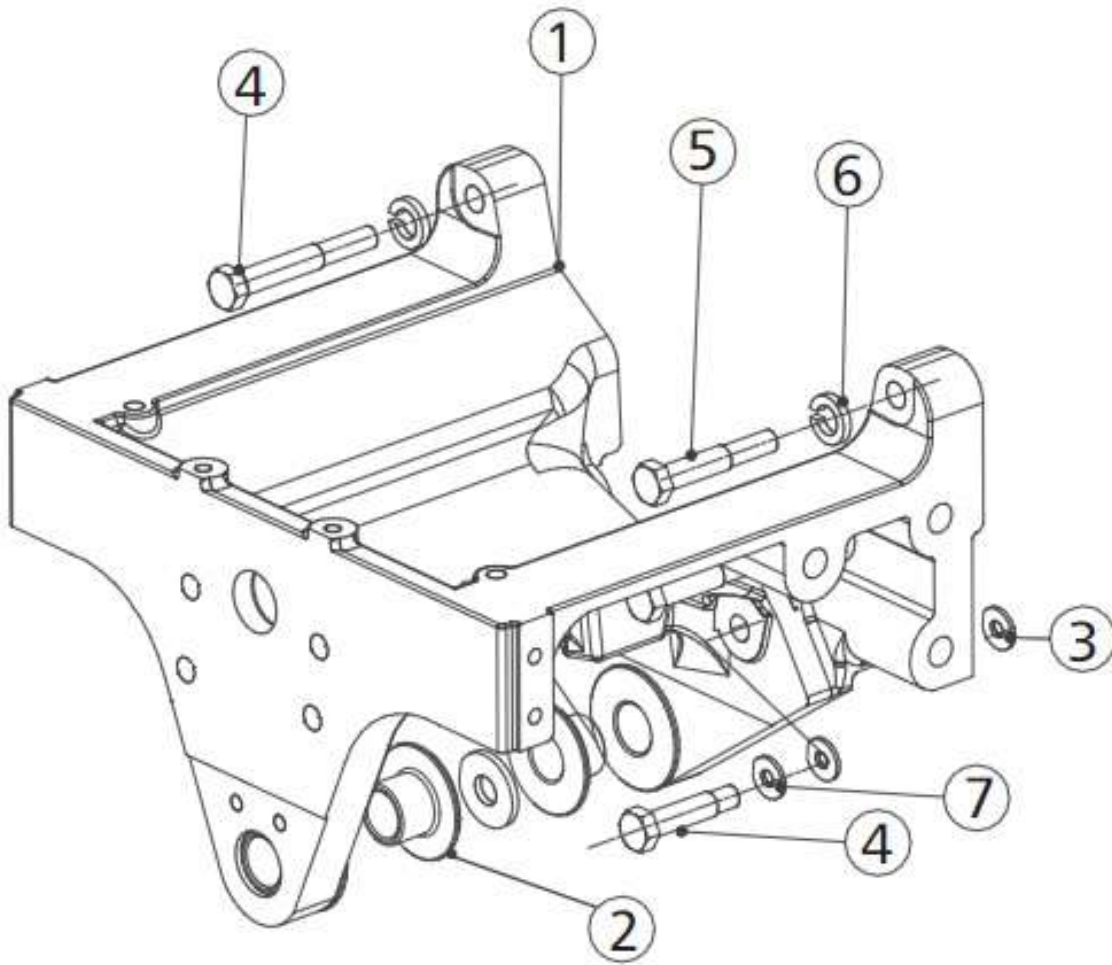
FRONT AXLE



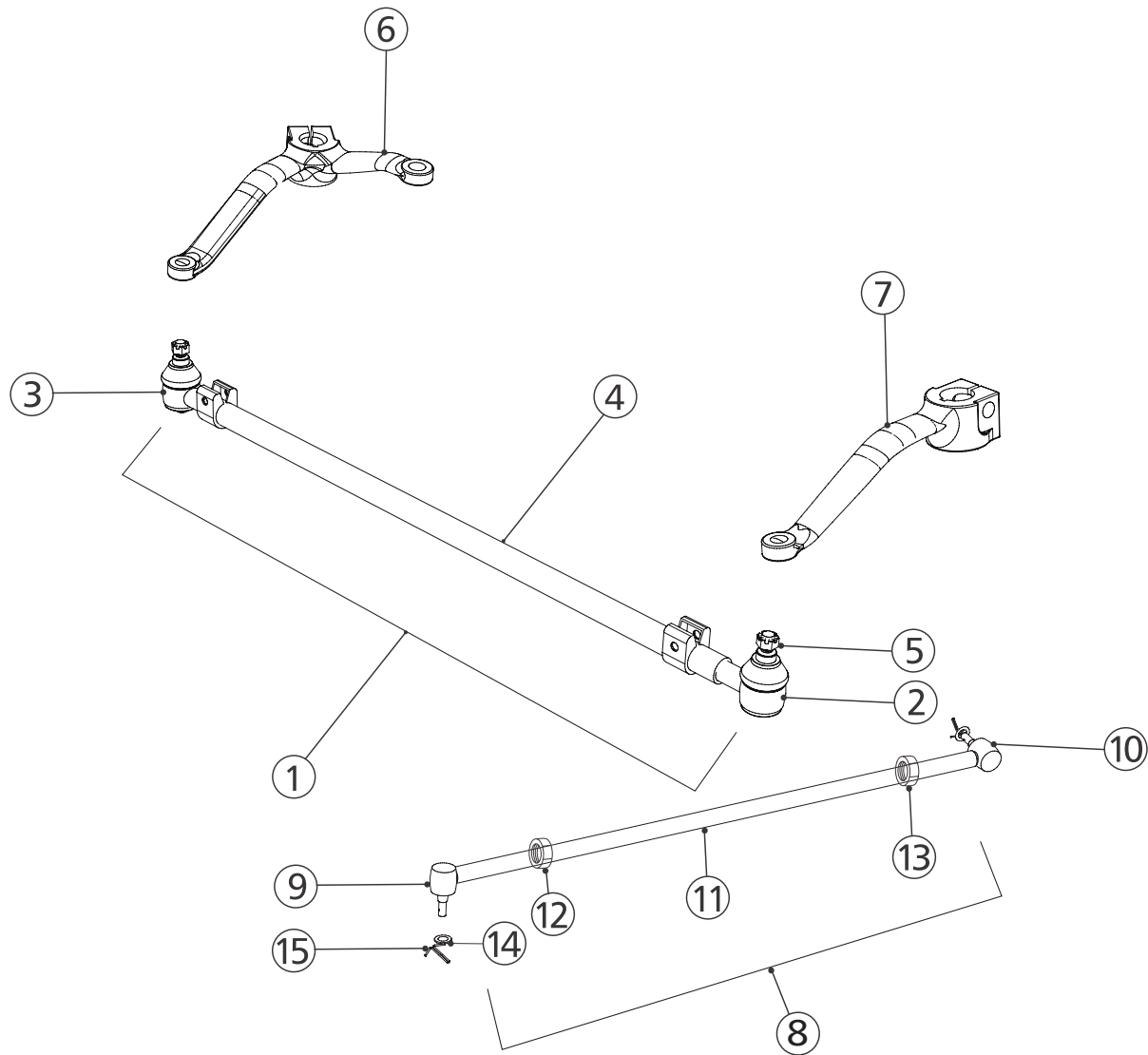
FRONT AXLE SINGLE PIECE



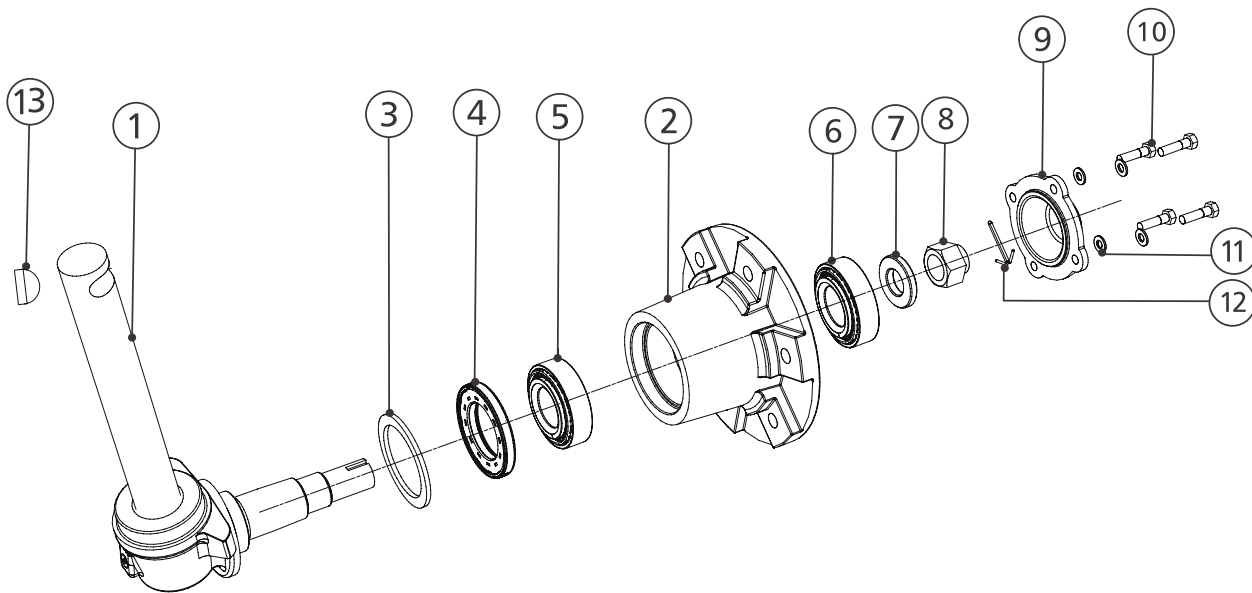
FRONT AXLE SUPPORT



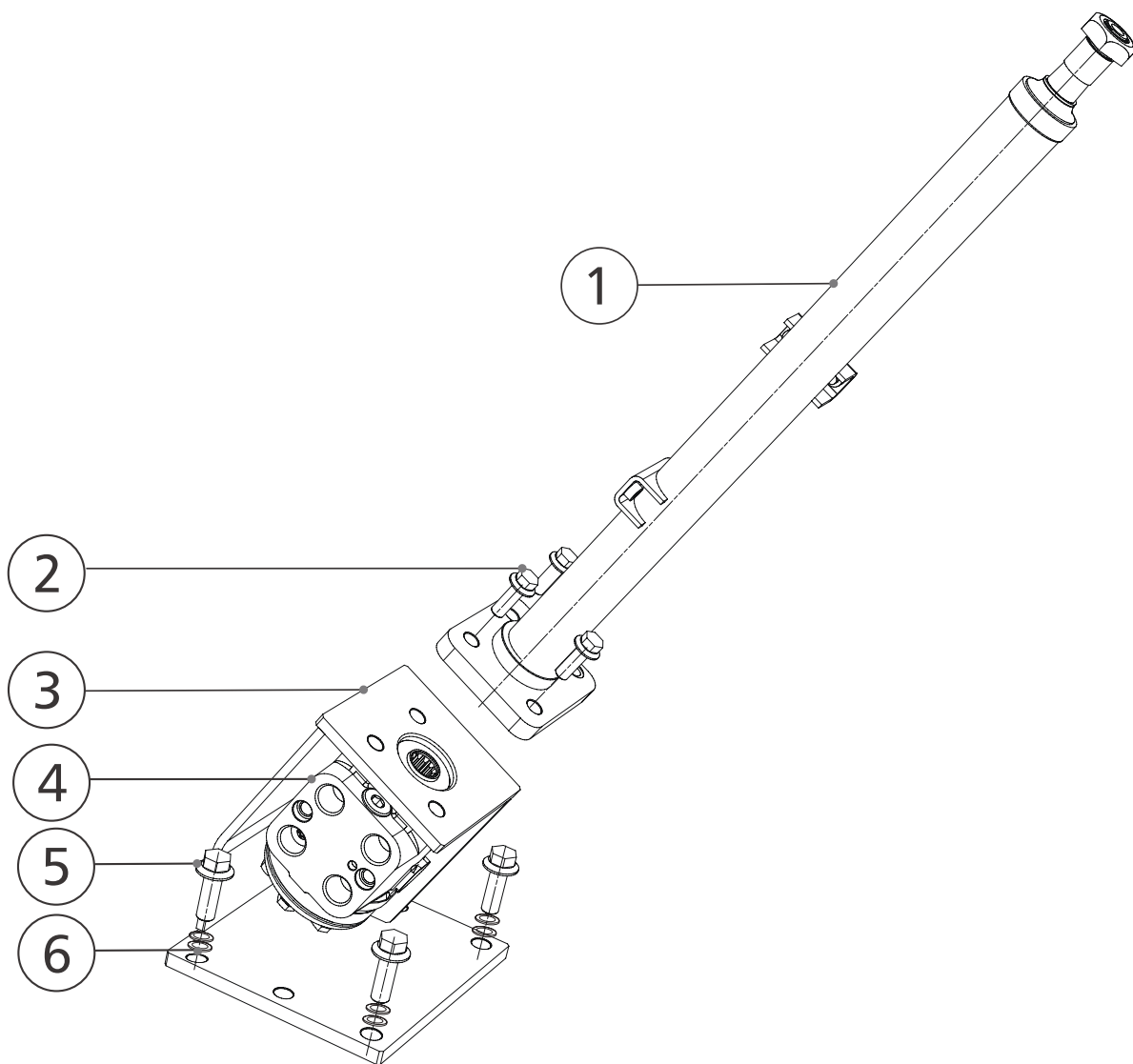
TIE ROD AND STEERING KNUCKLE MECHANICAL



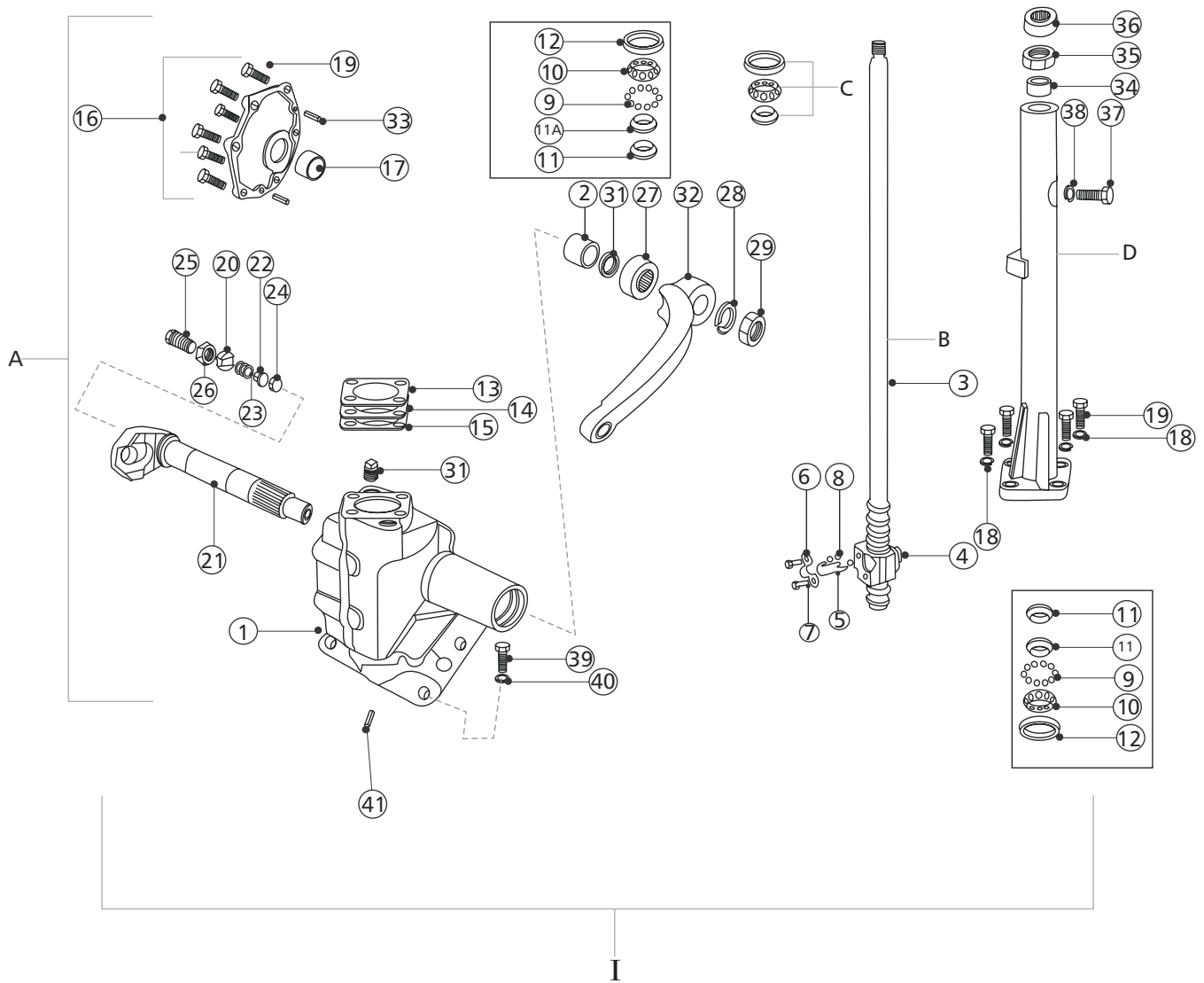
HUB ASSEMBLY POWER STEERING



HSU MOUNTING BRACKET & STEERING COLUMN



DRAG LINK AND STEERING GEAR BOX

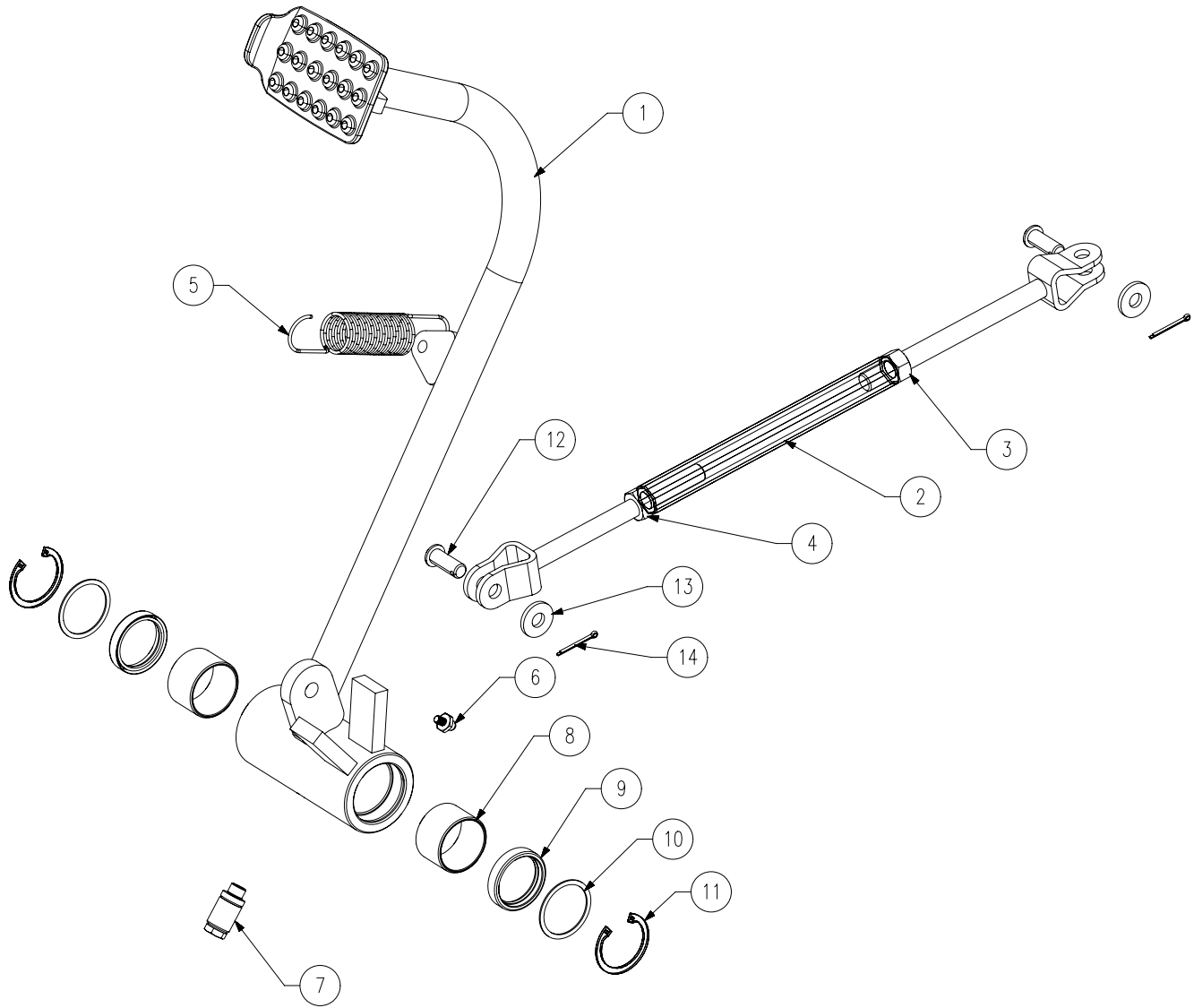


DRAG LINK AND STEERING GEAR BOX

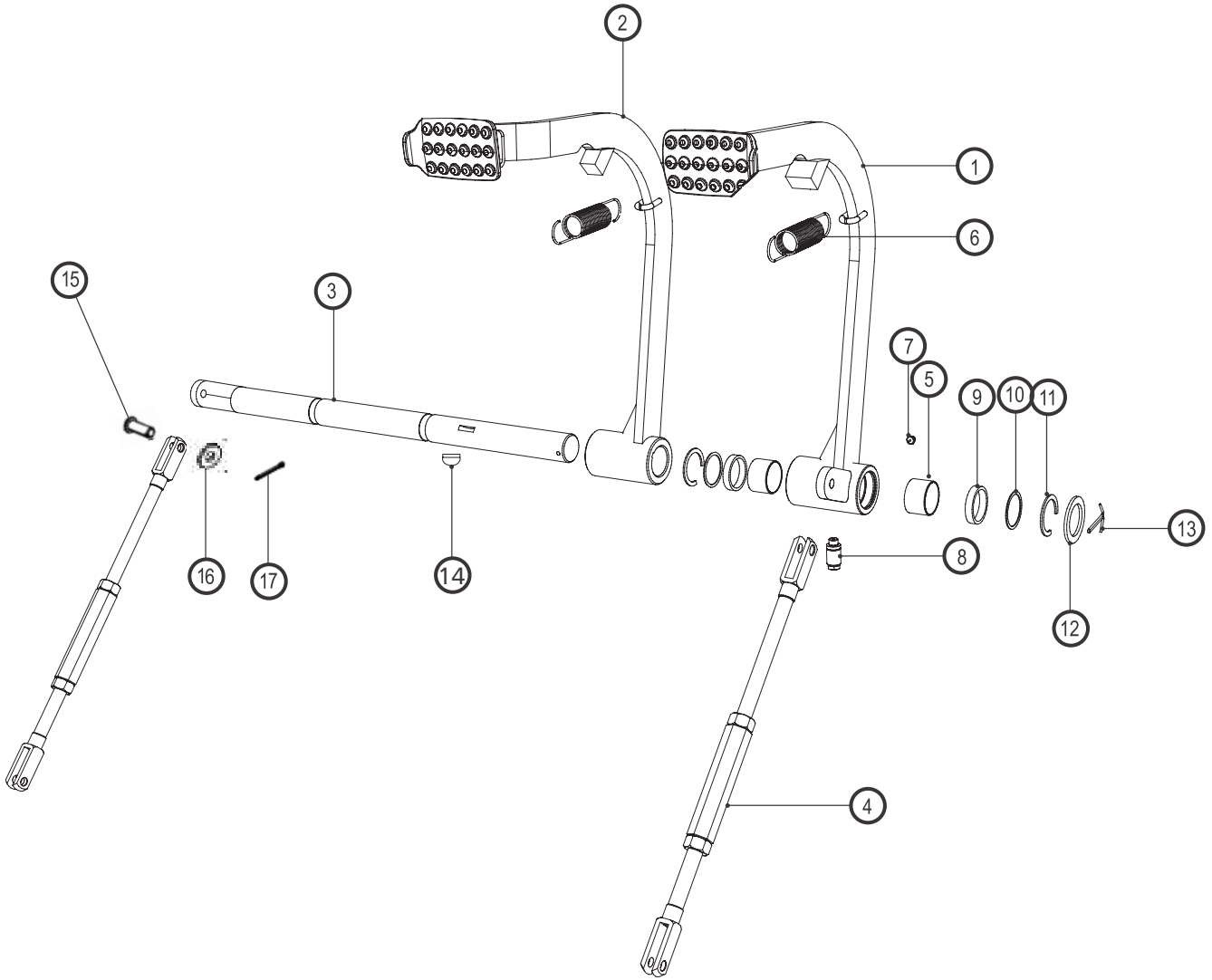
M&M Part Number	Ref.	Description of Part	Quantity		Remarks / Service Bulletin No.
			3DI	4DI	
007608282V91	I	STEERING GEAR ASSY	1	1	
007608283V91	A	BOX SUB ASSEMBLY	1	1	
‡	1	BOX	1	1	
007610020V1	2	ROCKER SHAFT BUSH	1	1	
007608285V1	B	INNER COLUMN & M/NUT ASSY.	1	1	
‡	3	INNER COLUMN	1	1	
‡	4	MAIN NUT	1	1	
‡	5	TRANSFER TUBE	1	1	
‡	6	TRANSFER TUBE RETAINER	2	2	
‡	7	BOLT RETAINER	2	2	
‡	8	STEEL BALLS	27	27	
007537163B91	C	BEARING SUB ASSEMBLY	2	2	
007608287V1	9	STEEL BALLS	22	22	
‡	10	NYLON CAGE	2	2	
‡	11	INNER BALL RACE TOP	1	1	
‡	11	INNER BALL RACE BOTTOM	1	1	
‡	12	OUTER BALL RACE	2	2	
001231130R1	13	SHIMS - 10"	AR	AR	
001231131R1	14	SHIMS - 5"	AR	AR	
001231132R1	15	SHIMS - 3"	AR	AR	
‡	16	COVER PLATE SUB ASSEMBLY	1	1	
001233094R1	17	CINTERED BUSH	1	1	
008002898B1	18	M8 SPRING WASHER	10	10	
001231119R1	19	BOLT M8	10	10	
001231108R1	20	SPHERICAL ROLLER	1	1	
007608288V1	21	ROCKER SHAFT	1	1	
‡	22	LOCATOR (ZERO B)	1	1	
‡	23	SPRING	1	1	
‡	24	SPRING SEAT (ZERO B)	1	1	
001231127R1	25	ADJUSTER SCREW	1	1	
001231114R1	26	LOCK NUT	1	1	
001231117R1	27	DUST SEAL	x	x	
007608290V1	28	SPRING WASHER R/S	1	1	
001121327R1	29	LOCK NUT R/S	1	1	
001121330R91	30	OIL SEAL	1	1	
001121314R1	31	OIL PLUG	1	1	
007608293V1	32	DROP ARM	1	1	
001231125R1	33	DOWEL PIN	2	2	
007608294V1	D	OUTER COLUMN ASSEMBLY	1	1	
001231112R1	34	RUBBER BUSH WITH NYLON BUSH	1	1	
007608295V1	35	LOCK NUT	1	1	
007537169B1	36	DUST SEAL	1	1	
‡	37	HEX HEAD SCREW	1	1	
‡	38	FIBRE WASHER	1	1	
000016469P04	39	BOLT M12 X 35	4	4	
005550700R1	40	WASHER M12	4	4	
000141284	41	DOWEL PIN	2	2	

* Parts Not Illustrated / ‡ Not Serviceable Separately / ◆ Alternate Part Number / A/R As Required

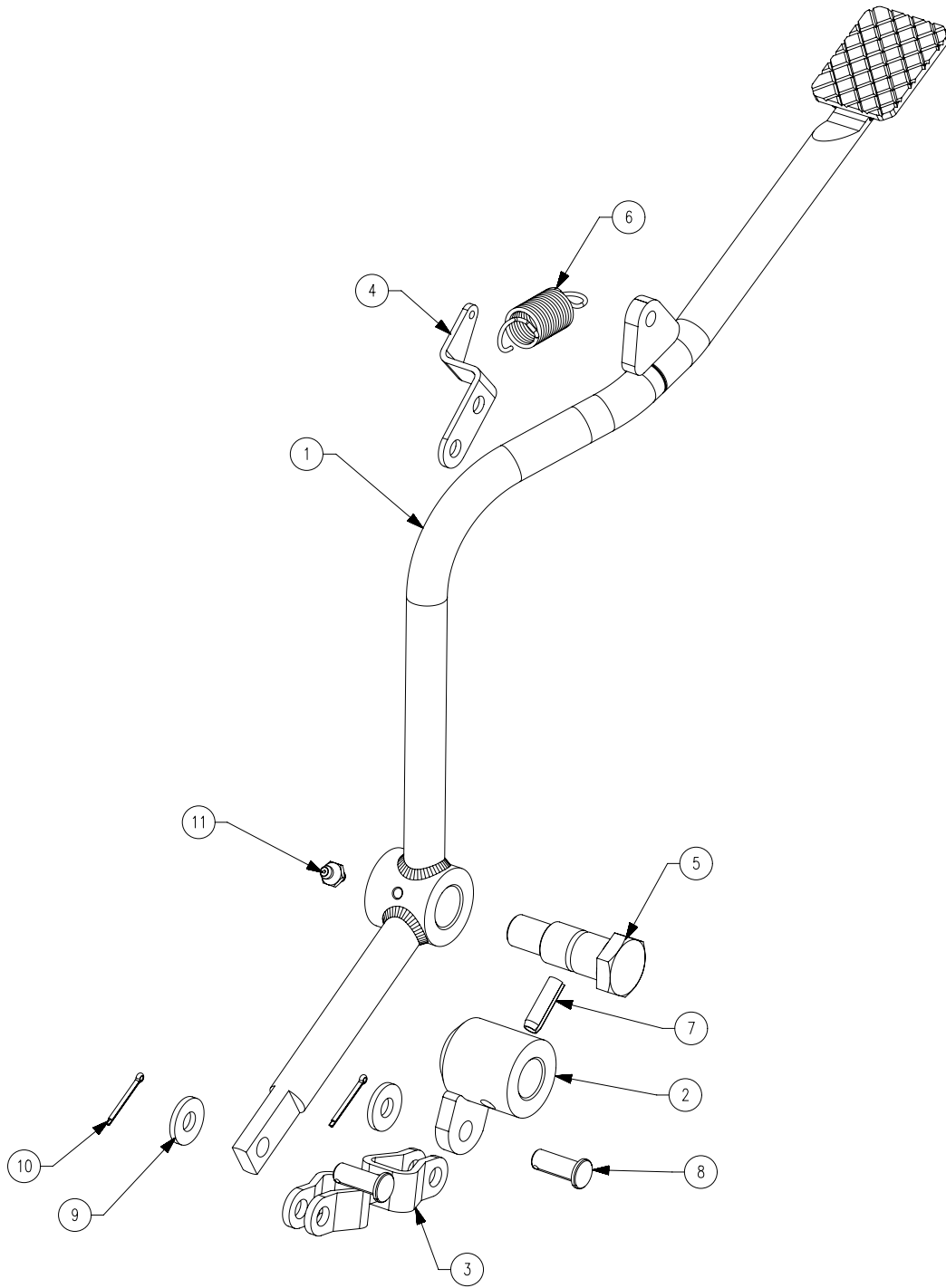
CLUTCH PEDAL ASSY



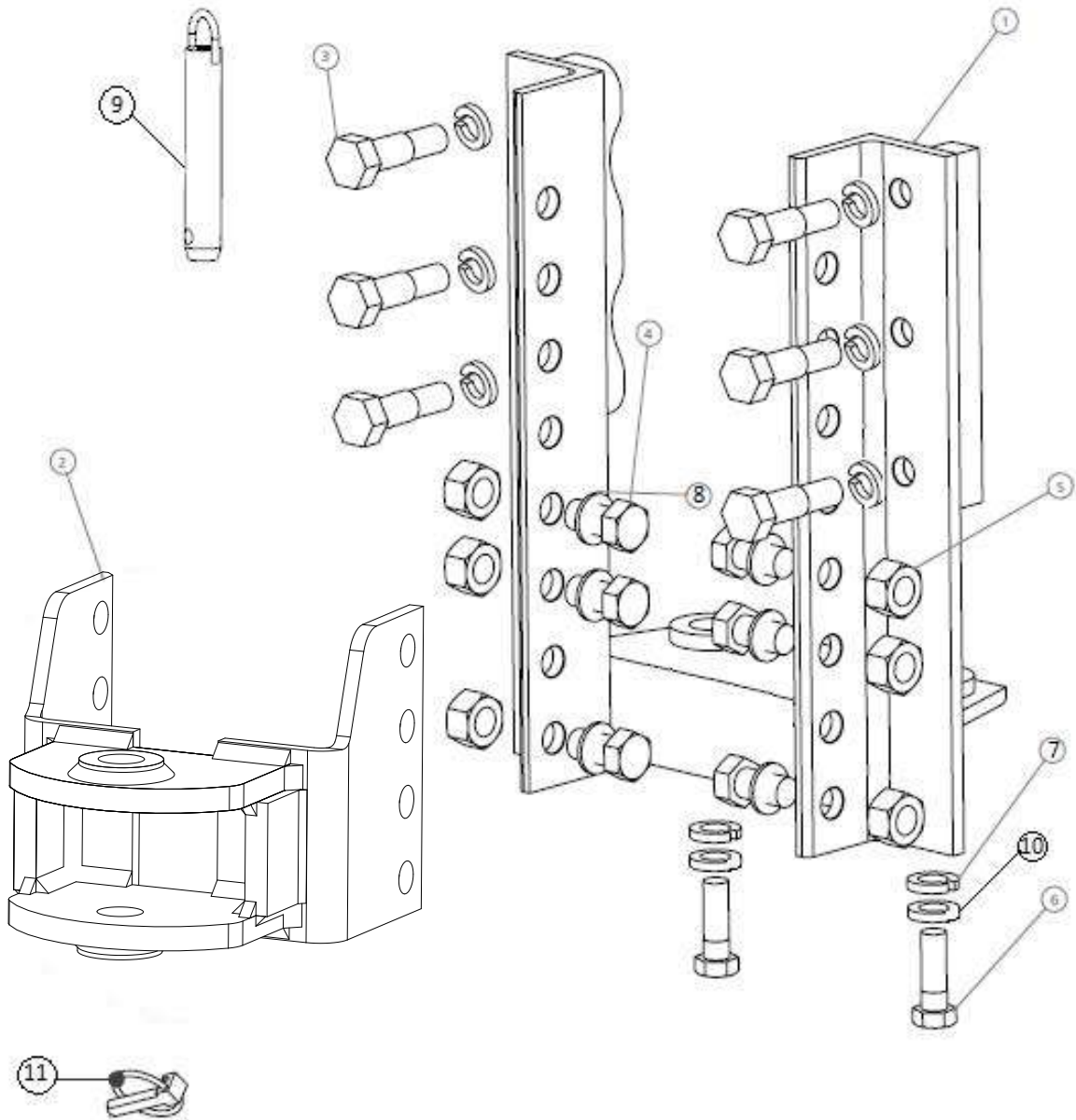
BRAKE PEDAL ASSY



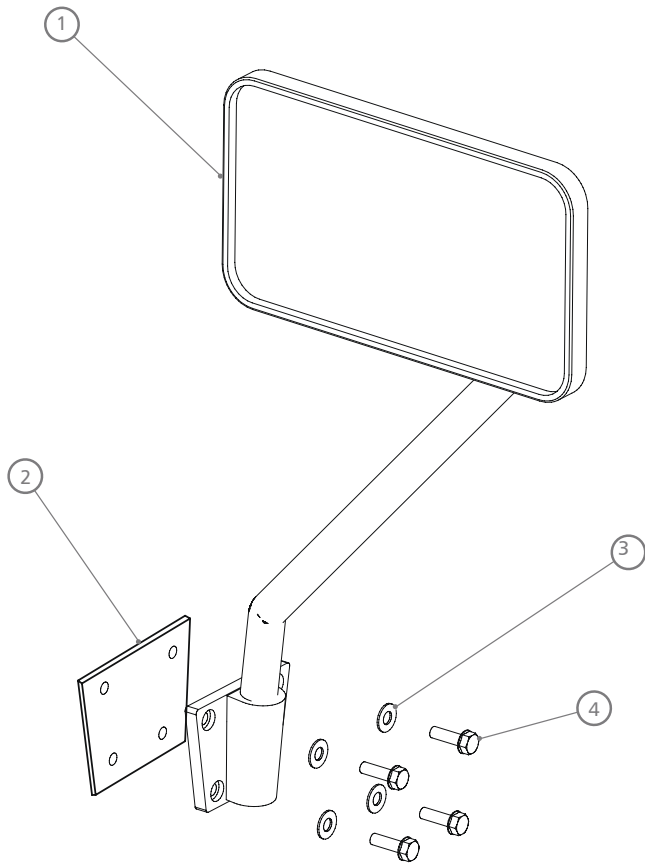
DIFFERENTIAL LOCK PEDAL ASSEMBLY



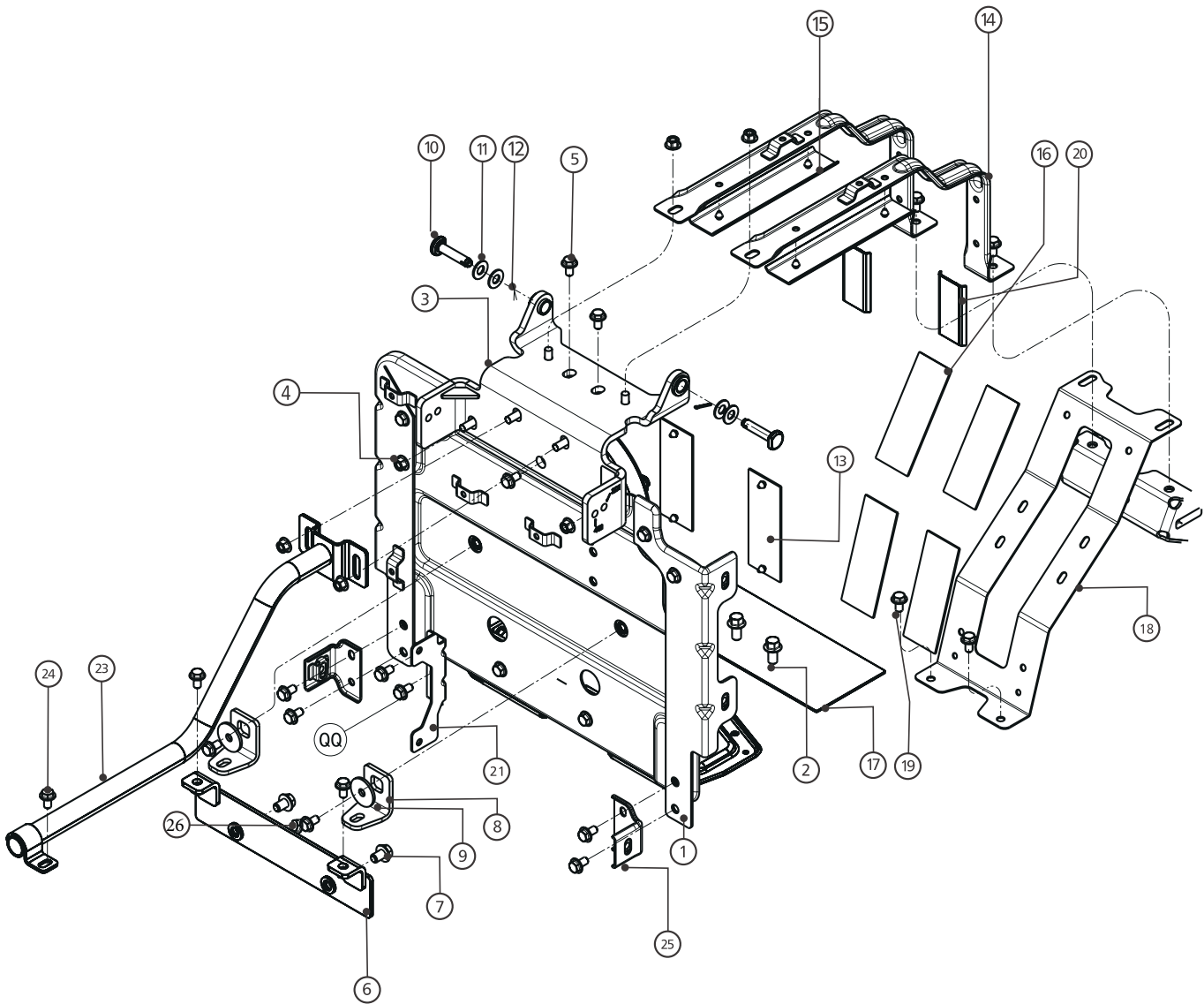
REAR TOW HOOK

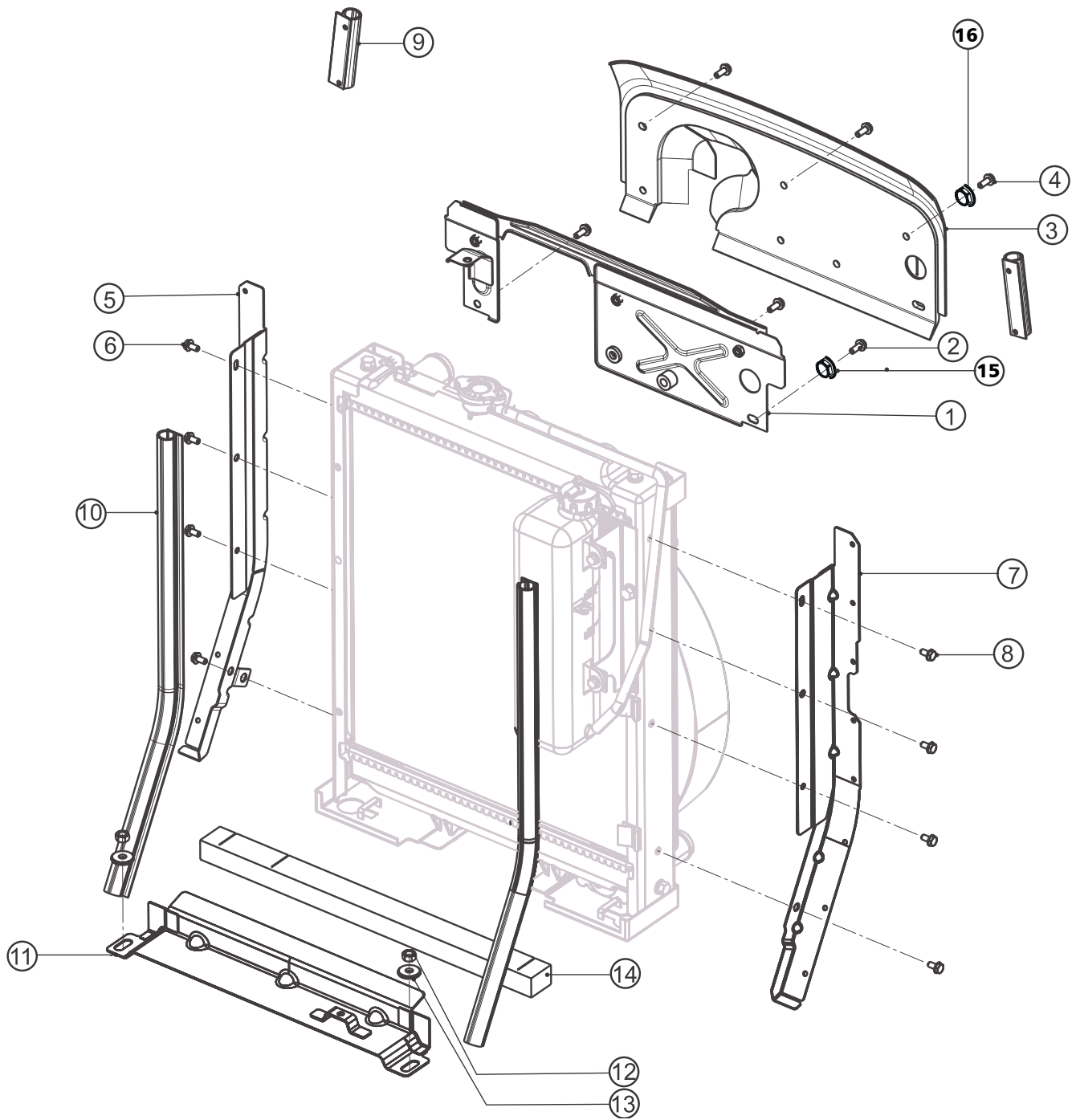


MIRROR & POWER STEERING GUARD



HMS AND FUEL TANK ASSY



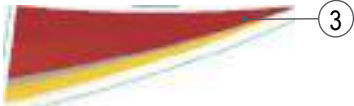




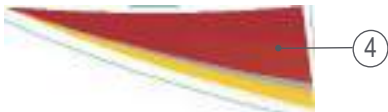
①



②



③



④



⑥

Dual Clutch ⑤

Mahindra YUVO 2650i ⑦ ⑧

Mahindra YUVO 2750i ⑨ ⑩

Mahindra YUVO 4150i ⑪ ⑫

Mahindra YUVO 4750i ⑬ ⑭

Mahindra YUVO 5750i ⑮ ⑯

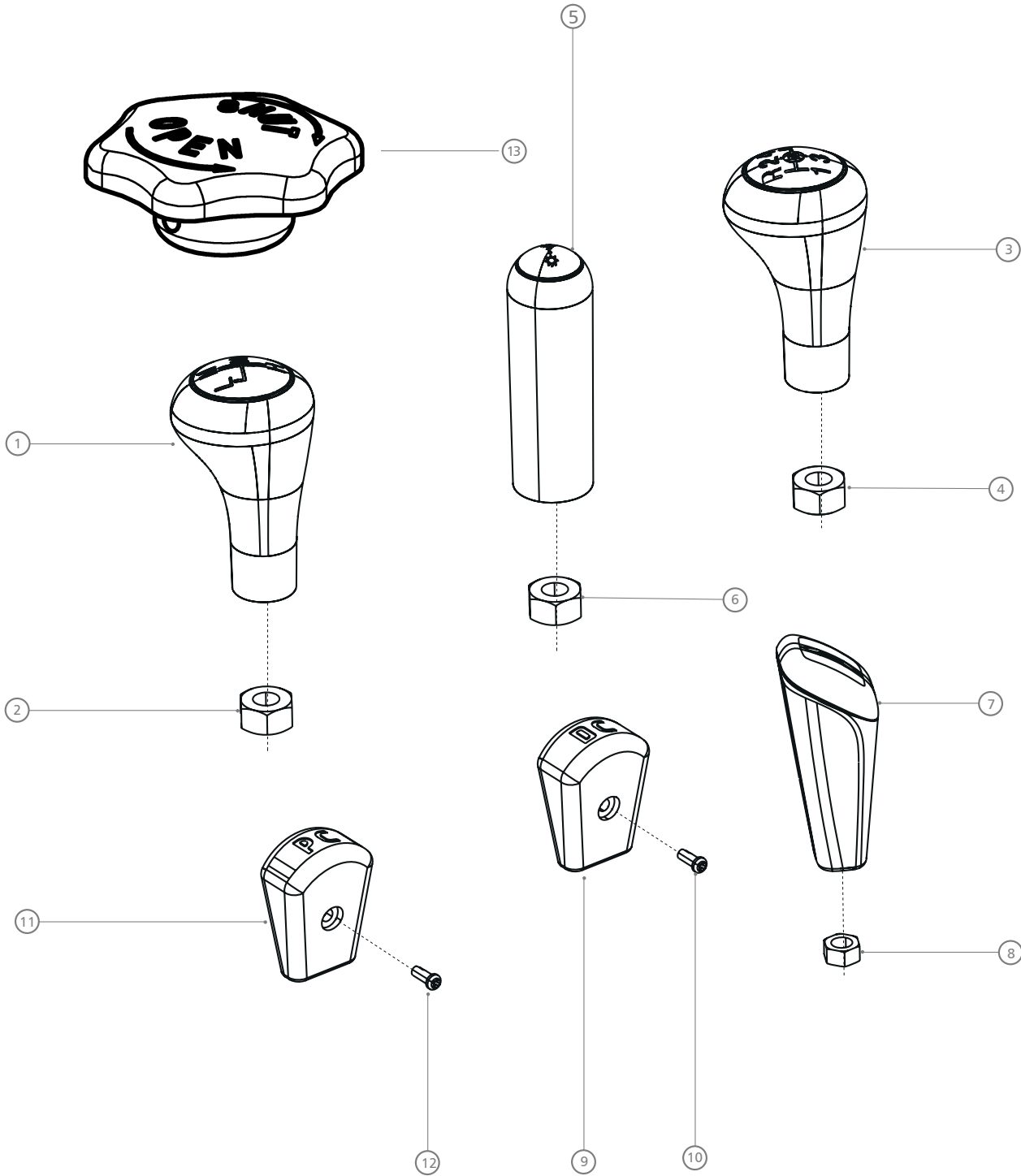
Gear Selection			
Application	1st Gear	2nd Gear	3rd Gear
Plowing	4th	3rd	
Soil tillage	4th	3rd	
Medium tillage	4th	3rd	
Harrowing	4th	3rd	
Seeding	4th	3rd	
Soil tillage & Plowing	3rd	2nd	1st
Soil tillage & Plowing	3rd	2nd	1st
Soil tillage & Plowing	3rd	2nd	1st
Soil tillage	3rd	2nd	1st
Harrowing	3rd	2nd	1st
Soil tillage	3rd	2nd	1st
Harrowing	3rd	2nd	1st
Soil tillage	3rd	2nd	1st

⑰

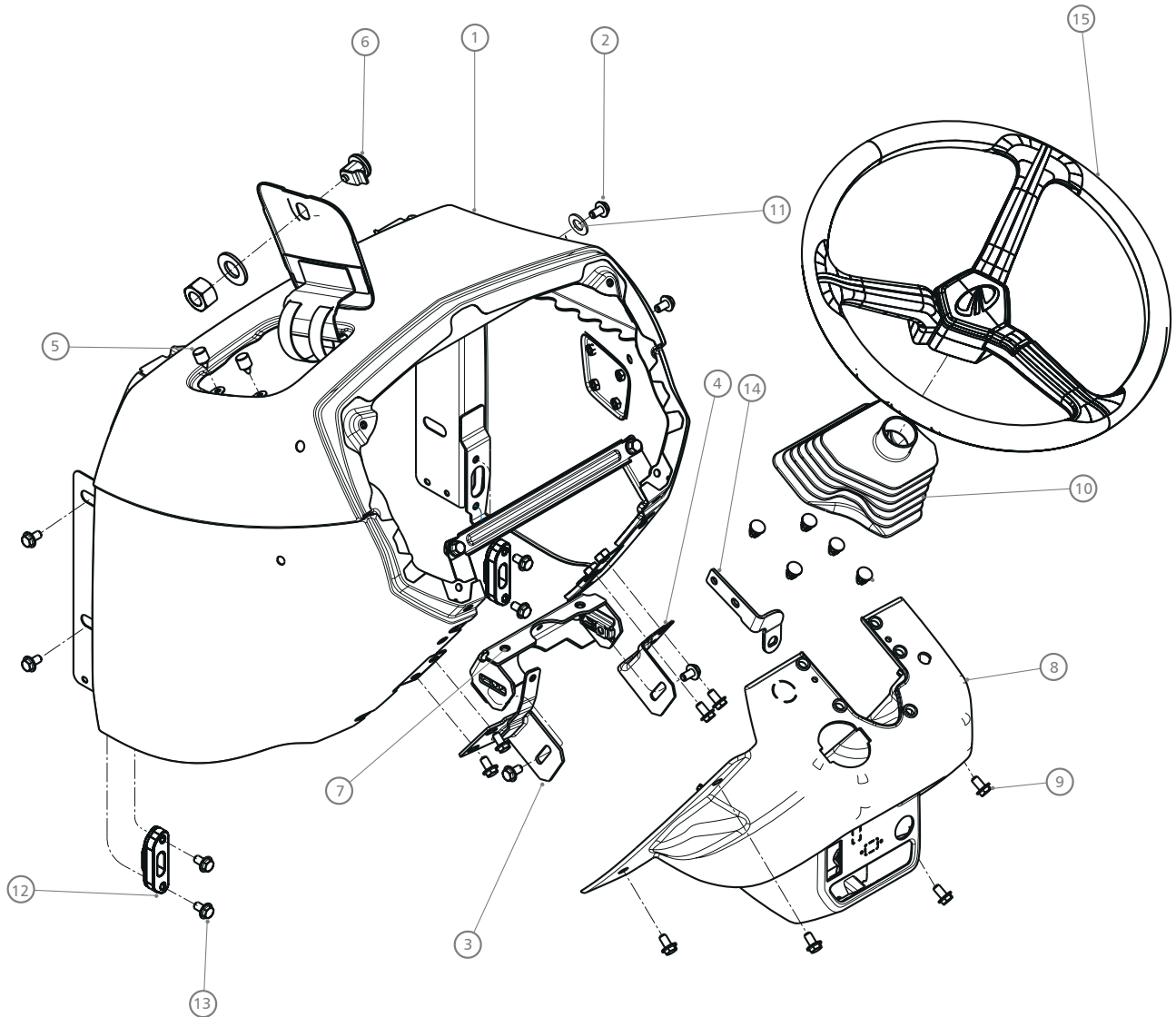


⑱

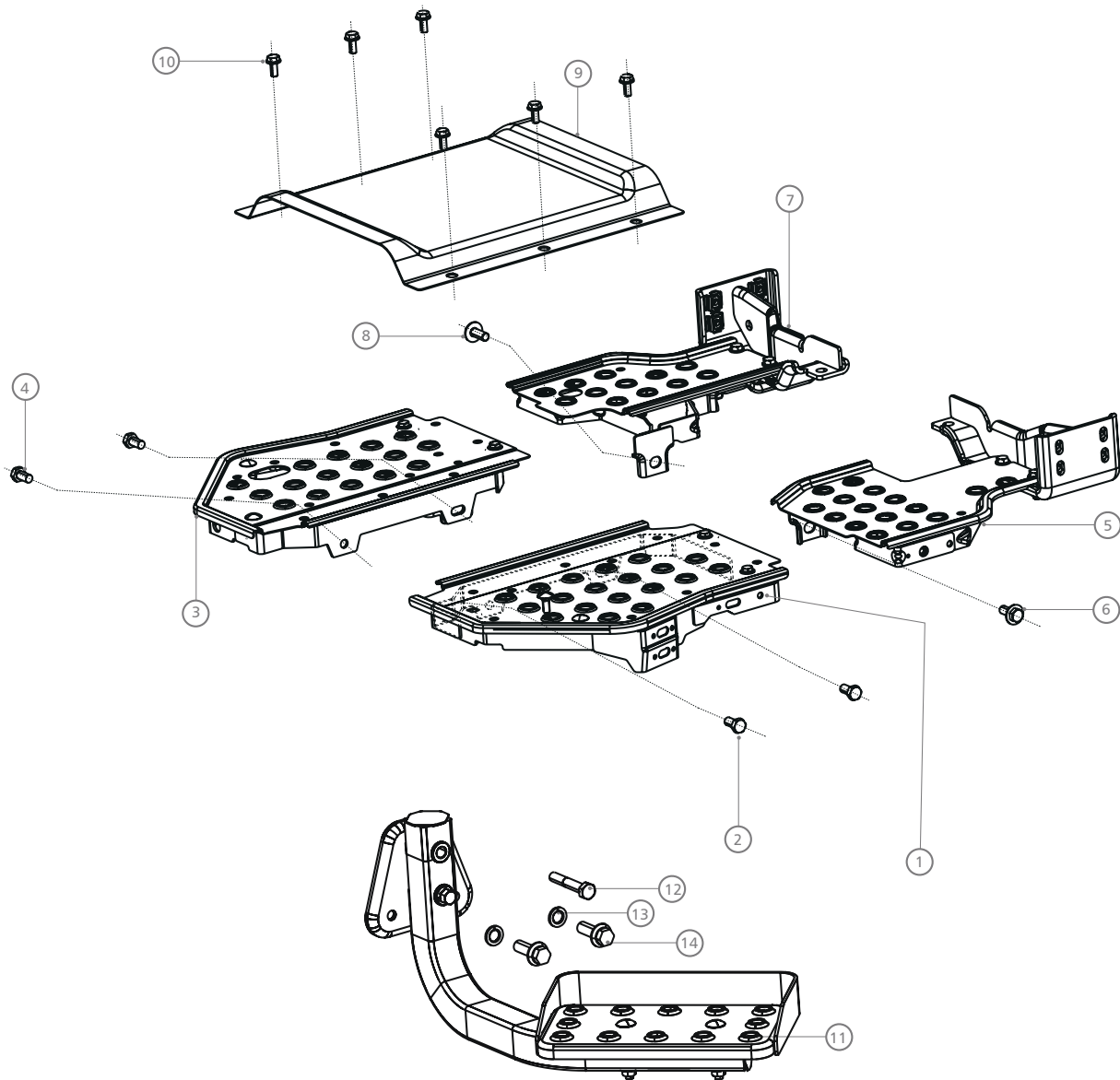
KNOBS



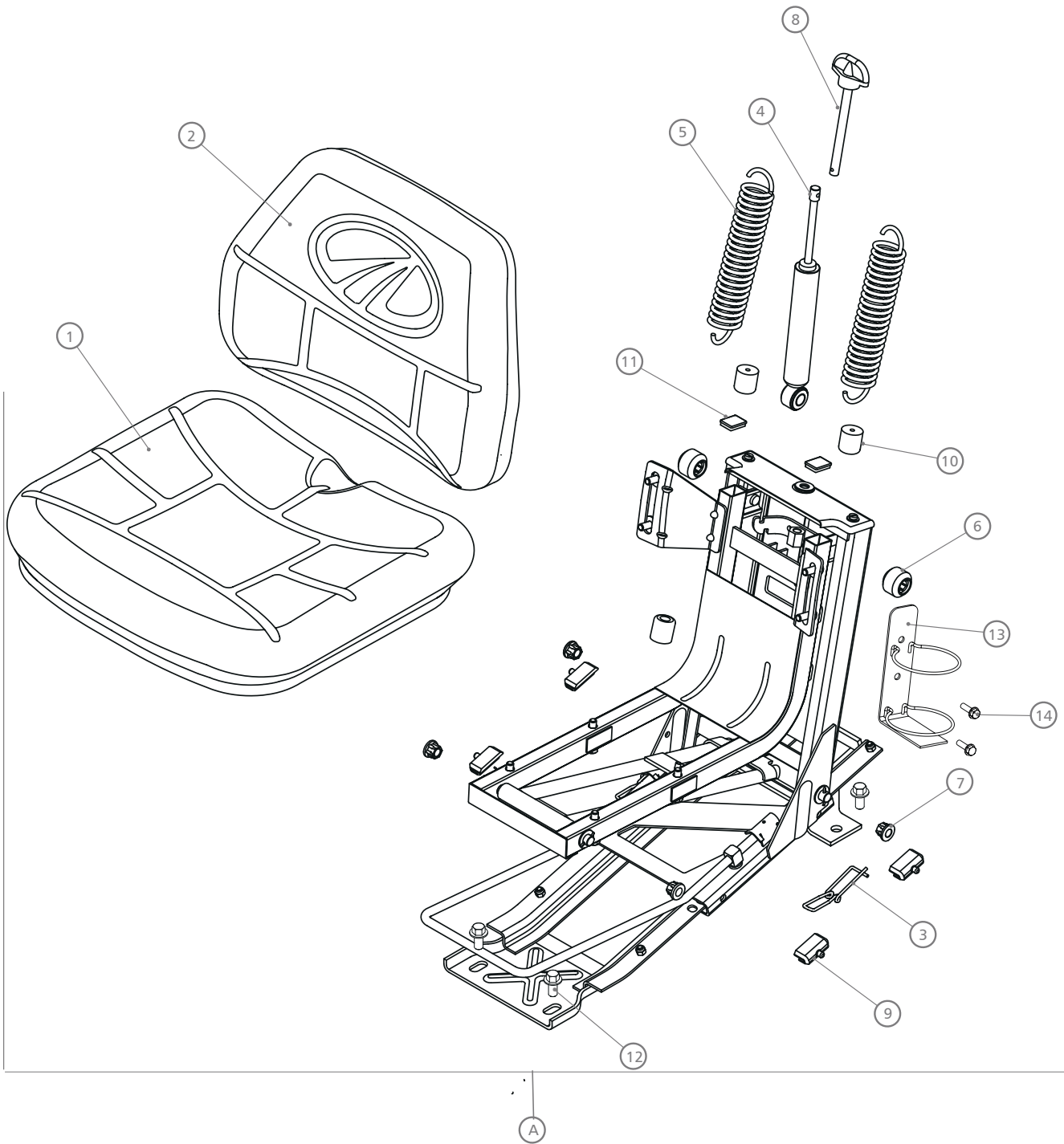
SCUTTLE ASSY



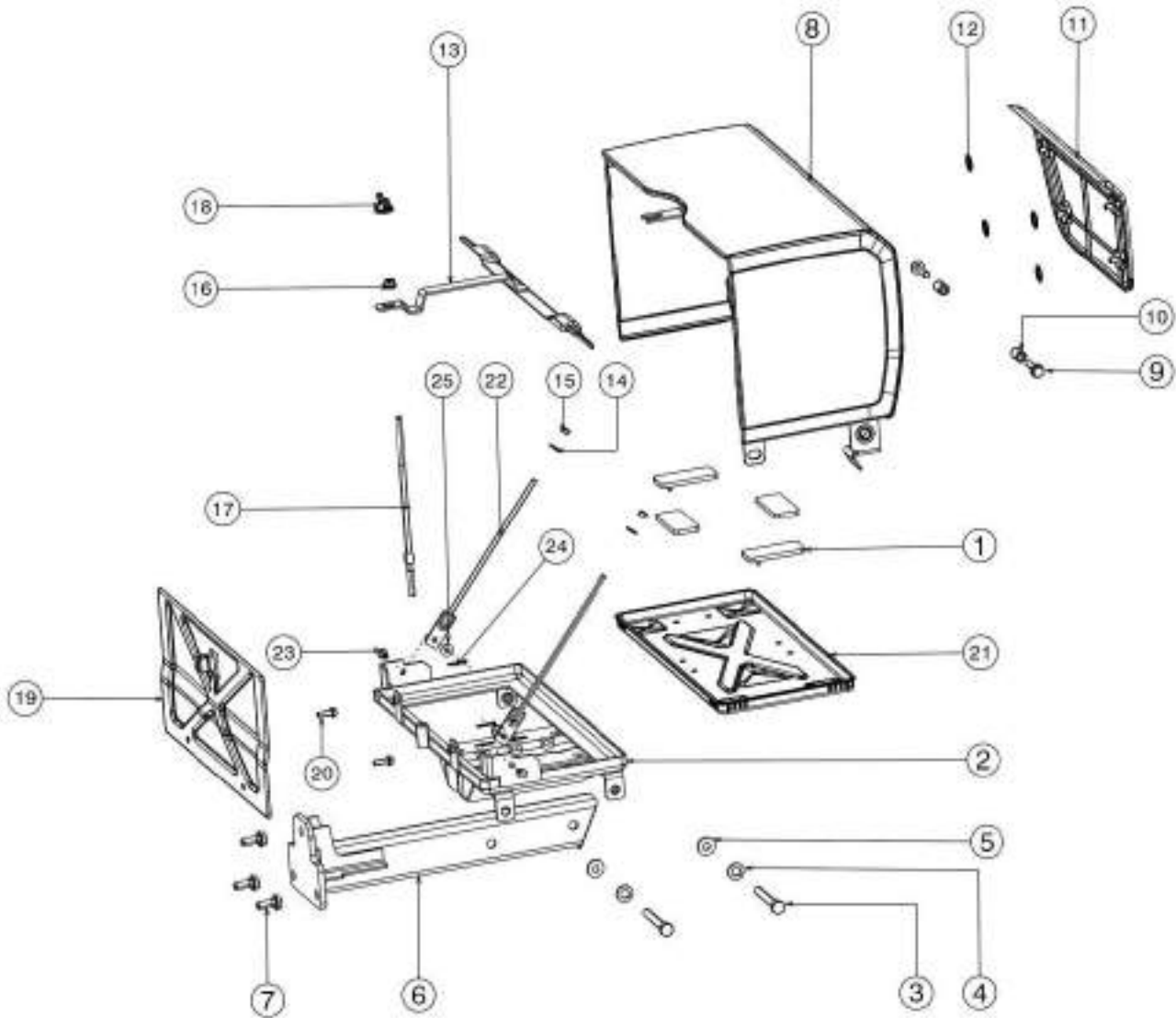
FLOOR PANEL ASSY



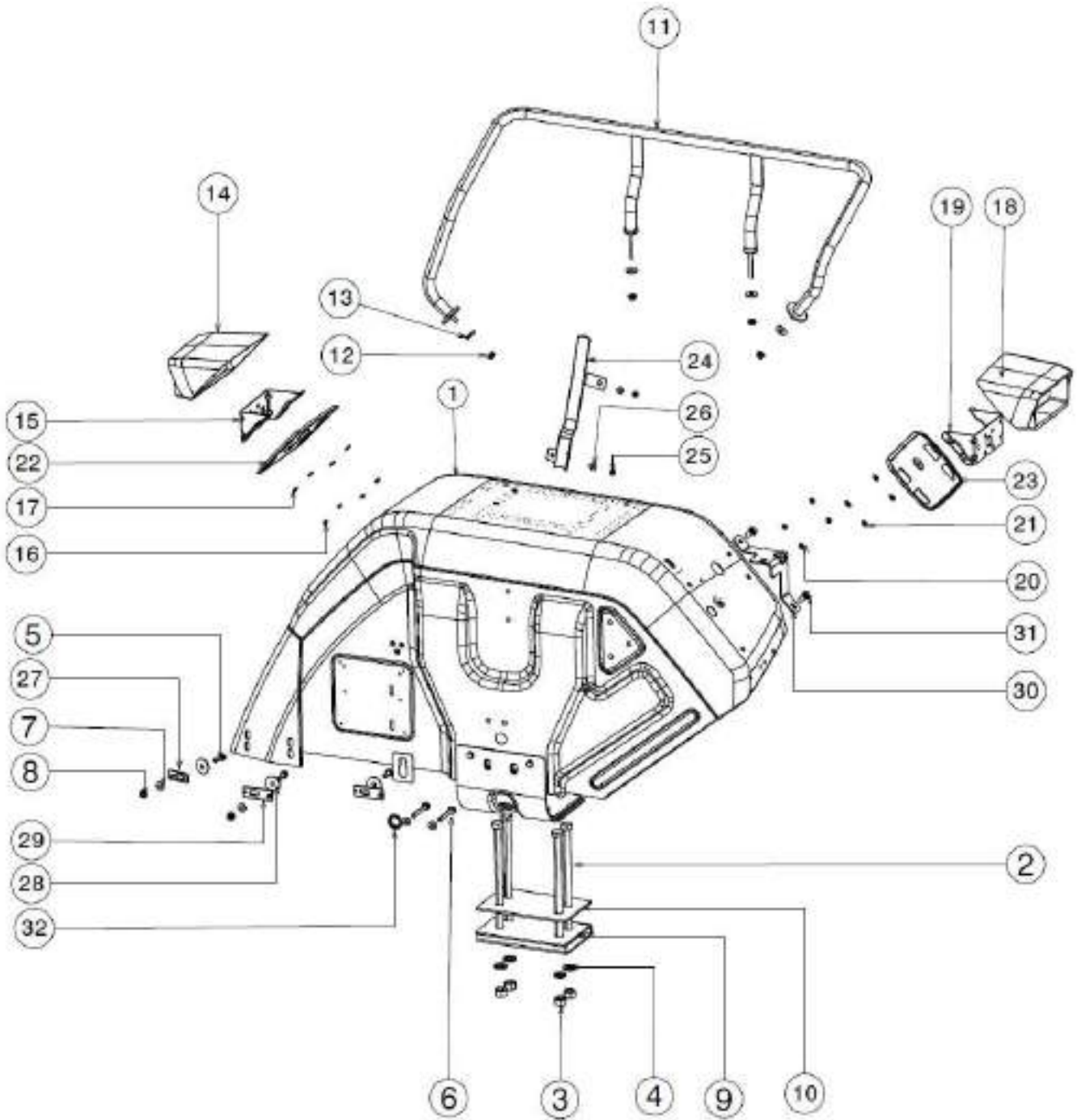
SEAT ASSY



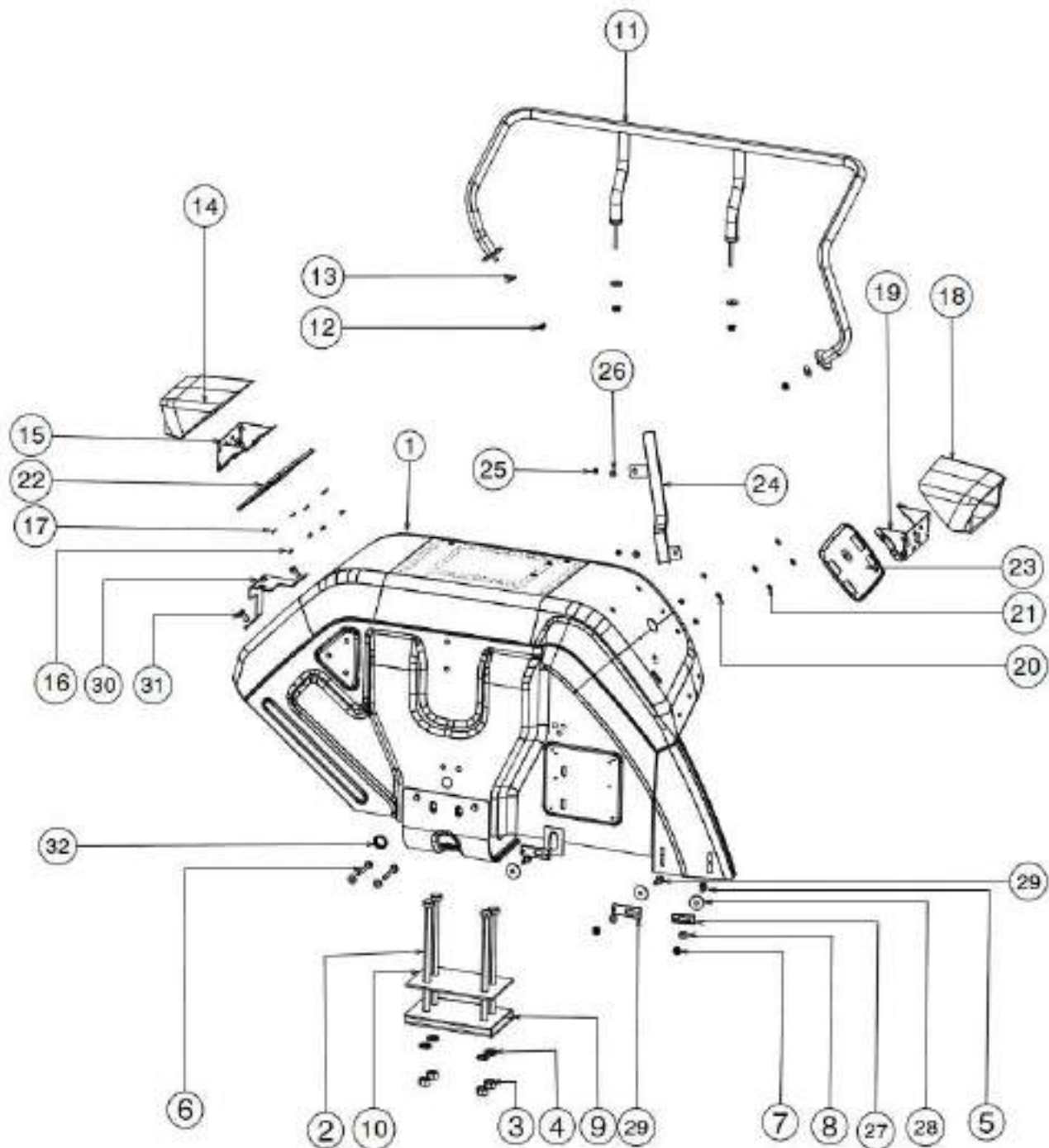
BATTERY TRAY SUPPORT ASSY



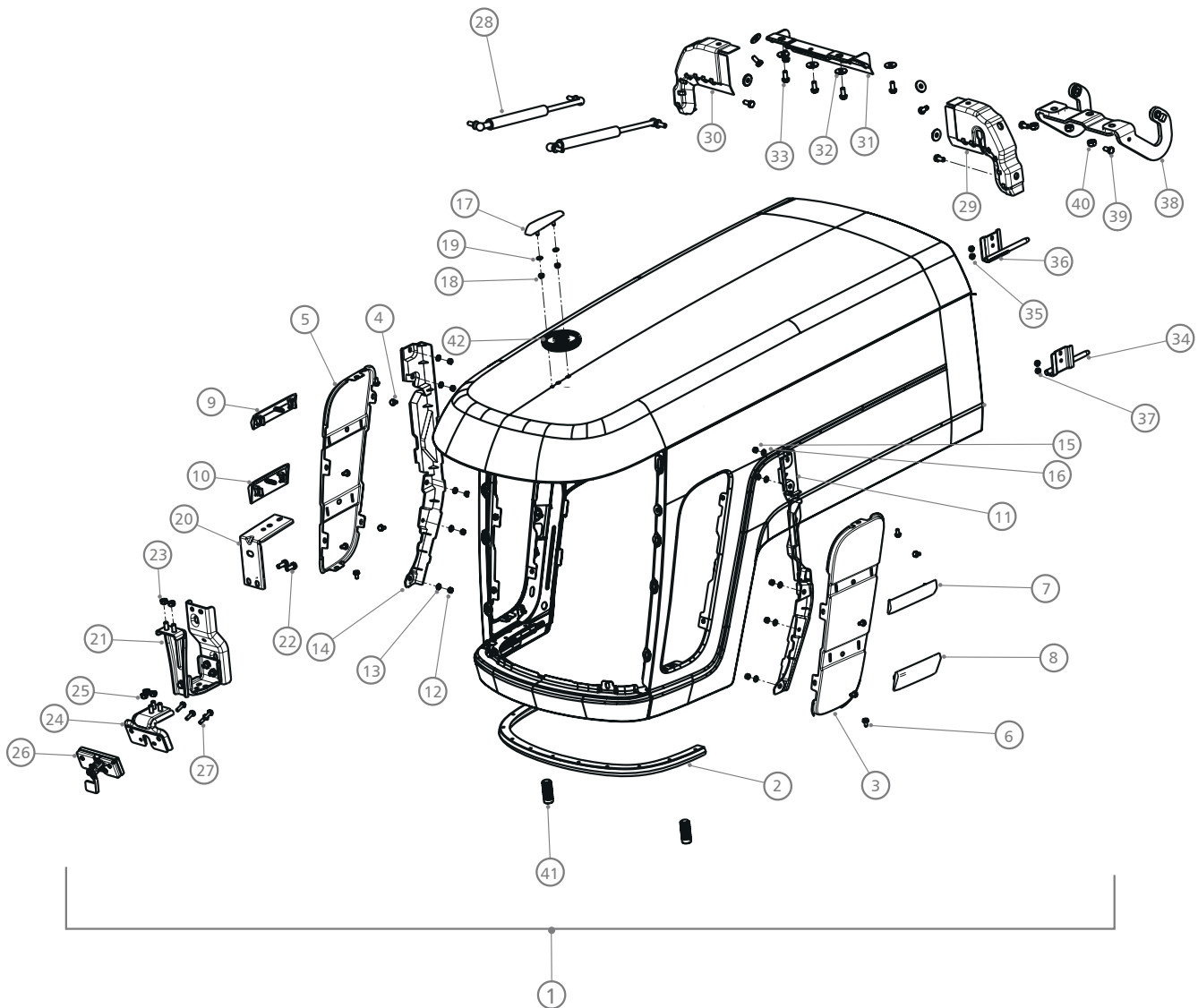
FENDER RH ASSY



FENDER LH ASSY



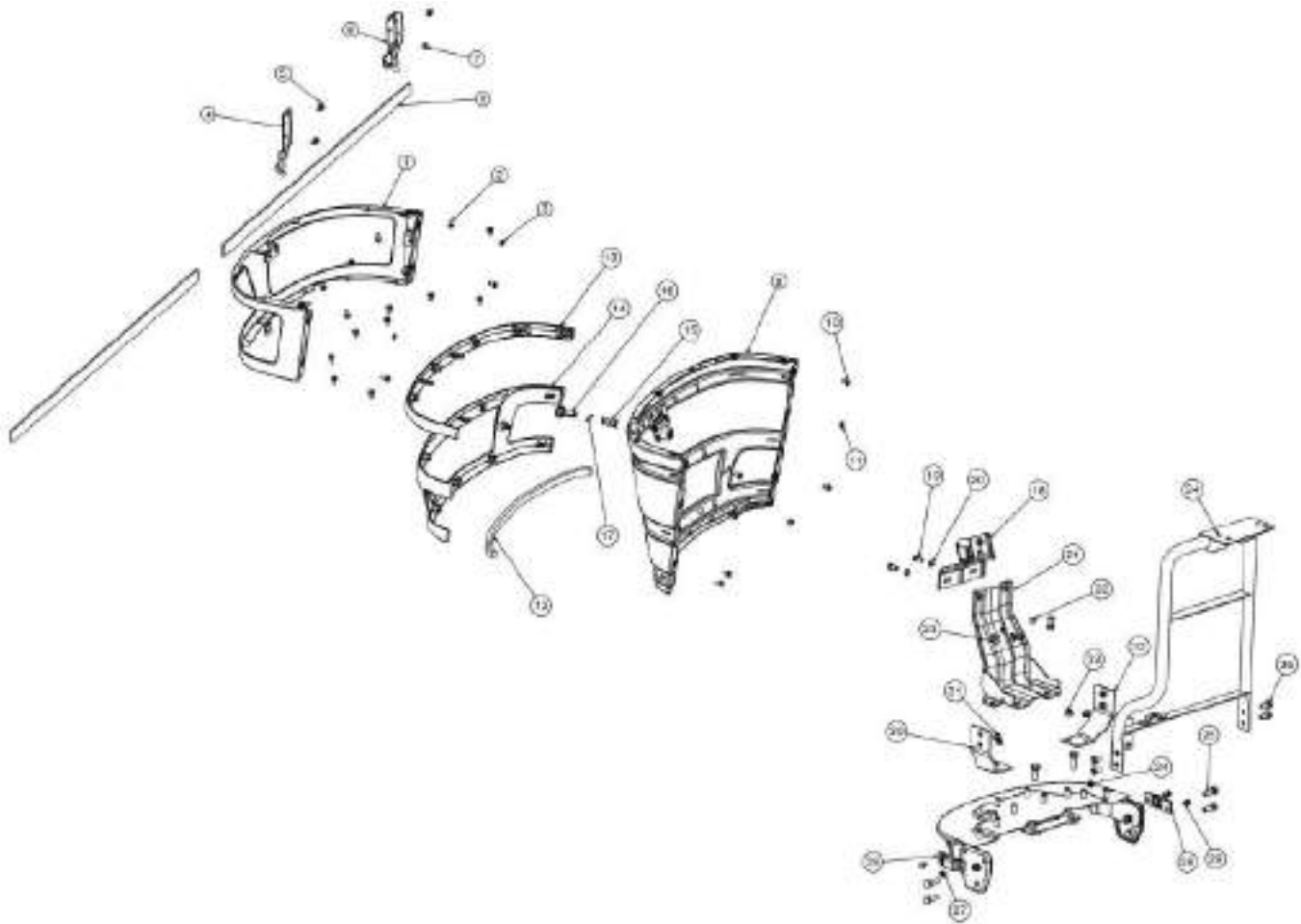
HOOD ASSY



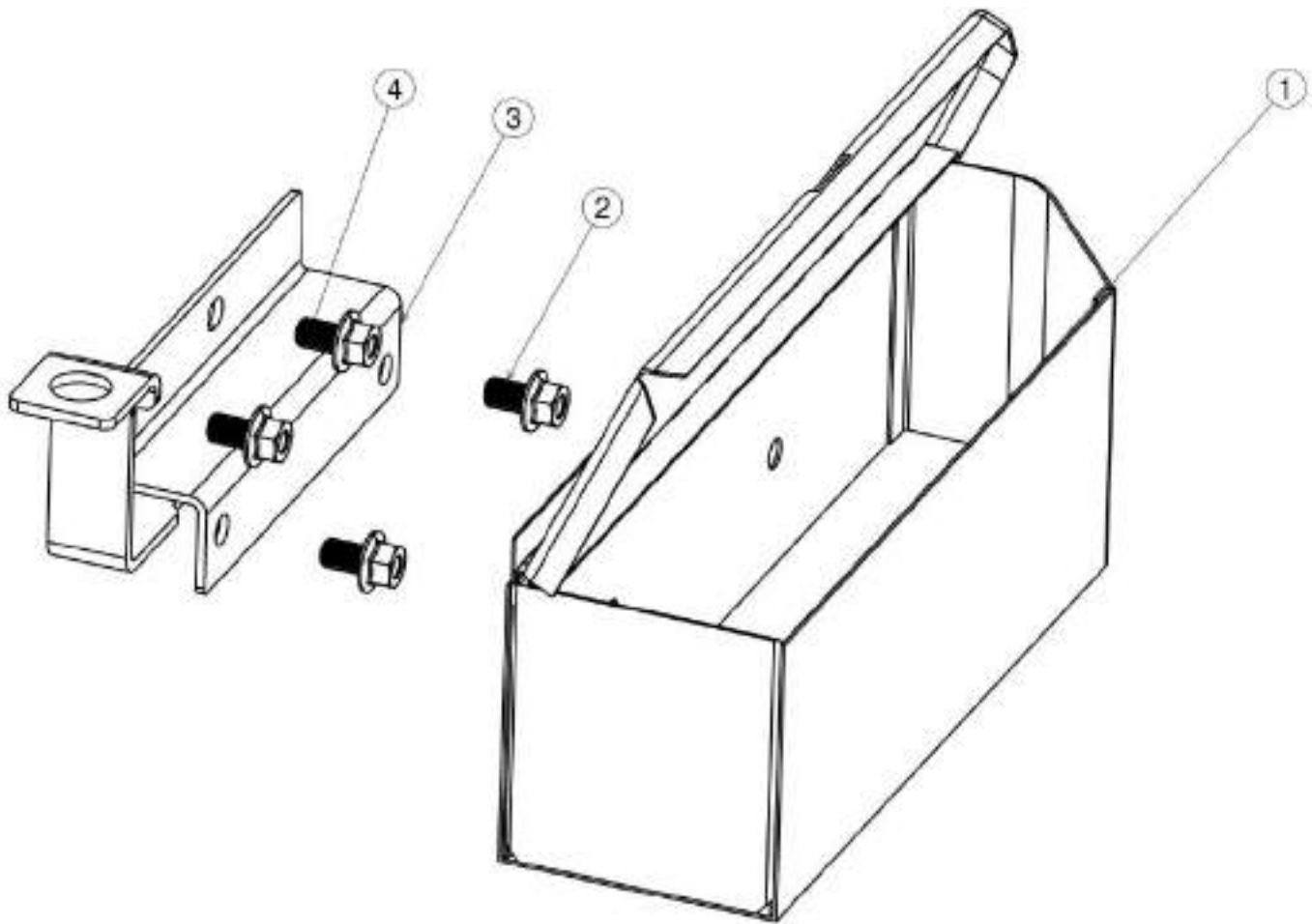
M&M Part Number	Ref.	Description of Part	Quantity		Remarks / Service Bulletin No.
			3DI	4DI	
007501706V91	1	HOOD ASSLY COMPLETE - 4DI	--	1	
007501661V91	1	HOOD ASSLY COMPLETE - 3DI	1	--	
007542578V1	2	RUBBER BEADING BONNET FRONT	1	1	
007543162V1	3	SIDE GRILL LH	1	1	
000020797E05	4	M6X 12 FLANGE HEX BOLT	6	6	
007543163V1	5	SIDE GRILL RH	1	1	
000020797E05	6	M6X 12 FLANGE HEX BOLT	6	6	
007501898V1	7	SIDE GRILLE ADDON LH-TOP	1	1	
007501899V1	8	SIDE GRILLE ADDON LH- BOTTOM	1	1	
007501900V1	9	SIDE GRILLE ADDON RH-TOP	1	1	
007501901V1	10	SIDE GRILLE ADDON RH- BOTTOM	1	1	
007542579V1	11	RADIATOR SIDE SEALING LH	1	1	
001233807R1	12	M6 FLANGE HEX NUT	5	5	
000060685M01	13	PLAIN WASHER M-6	5	5	
007542580V1	14	RADIATOR SIDE SEALING RH	1	1	
001233807R1	15	M6 FLANGE HEX NUT	5	5	
000060685M01	16	PLAIN WASHER M-6	5	5	
007501588C2	17	MASCOT	1	1	
001233807R1	18	M6 FLANGE HEX NUT	2	2	
007515212D1	19	PLAIN WASHER 6.5X15X1.5	2	2	
007544406V1	20	HOOD TOP PANEL SUPPORT BKT	1	1	
007544412V91	21	HOOD LATCH MTG BKT ASSLY	1	1	
000020777E05	22	M8 FLANGE HEX NUT	2	2	
000020307E05	23	HEX FLANGE BOLT M8 X 20	2	2	
007543348V91	24	LATCH MTG BKT ASSY	1	1	
000020777E05	25	M8 FLANGE HEX NUT	3	3	
007501831V91	26	HOOD LATCH ASSY	1	1	
000020312E05	27	M6X 20 FLANGE HEX BOLT	4	4	
007542502V91	28	ASSEMBLY GAS- SPRING-4DI	2	2	
007515765V1	29	RUBBER SEALING FUEL TANK -LH	1	1	
007515766V1	30	RUBBER SEALING FUEL TANK - RH	1	1	
007543550V1	31	RUBBER SEALING - FUEL TANK MID	1	1	
000020739E05	32	WASHER PLAIN G8.5X25X3	9	9	
000012190P04	33	M8X18 FLANGE HEX BOLT	9	9	
007501814V91	34	HOOD REAR GUIDING LOCATOR ASSY LH	1	1	
001233807R1	35	M6 FLANGE HEX NUT	2	2	
007501813V91	36	HOOD REAR GUIDING LOCATOR ASSY RH	1	1	
001233807R1	37	M6 FLANGE HEX NUT	2	2	
007515626V91	38	MOVING HINGE ASSY	1	1	
000020307E05	39	BOLT HEX M8X1.25X16X8.8	2	2	
006003914H1	40	FLANGE HEX NUT M10	3	3	
007501624C1	41	RUBBER STOPPER BONNET	2	2	
001233808R1	42	WASHER SPRING L M6X11.6X1.6	2	2	

* Parts Not Illustrated / ‡ Not Serviceable Separately / ◆ Alternate Part Number / A/R As Required

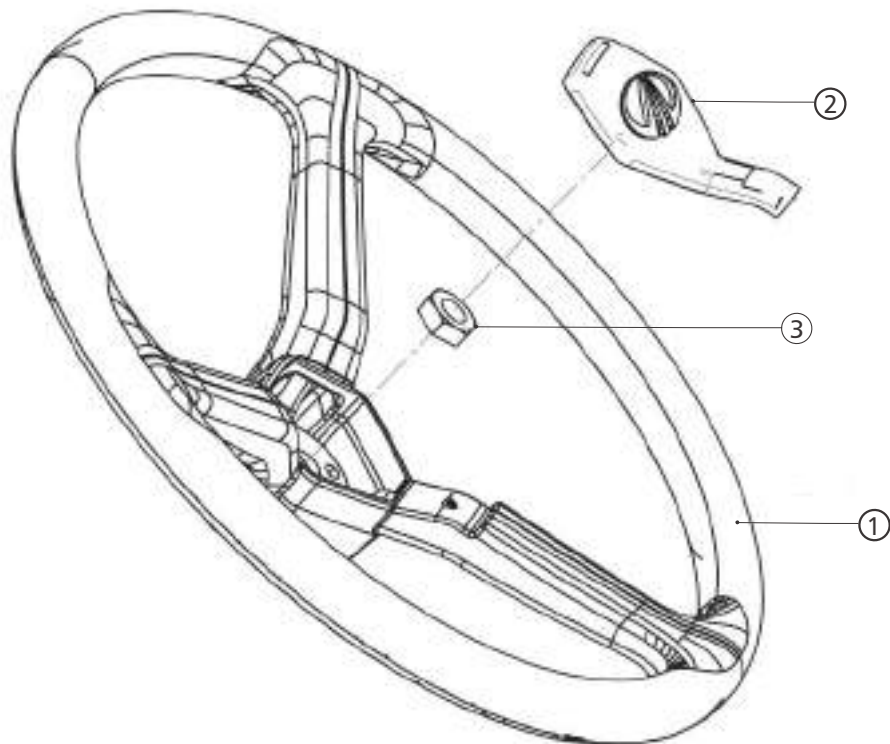
FRONT GRILL ASSEMBLY



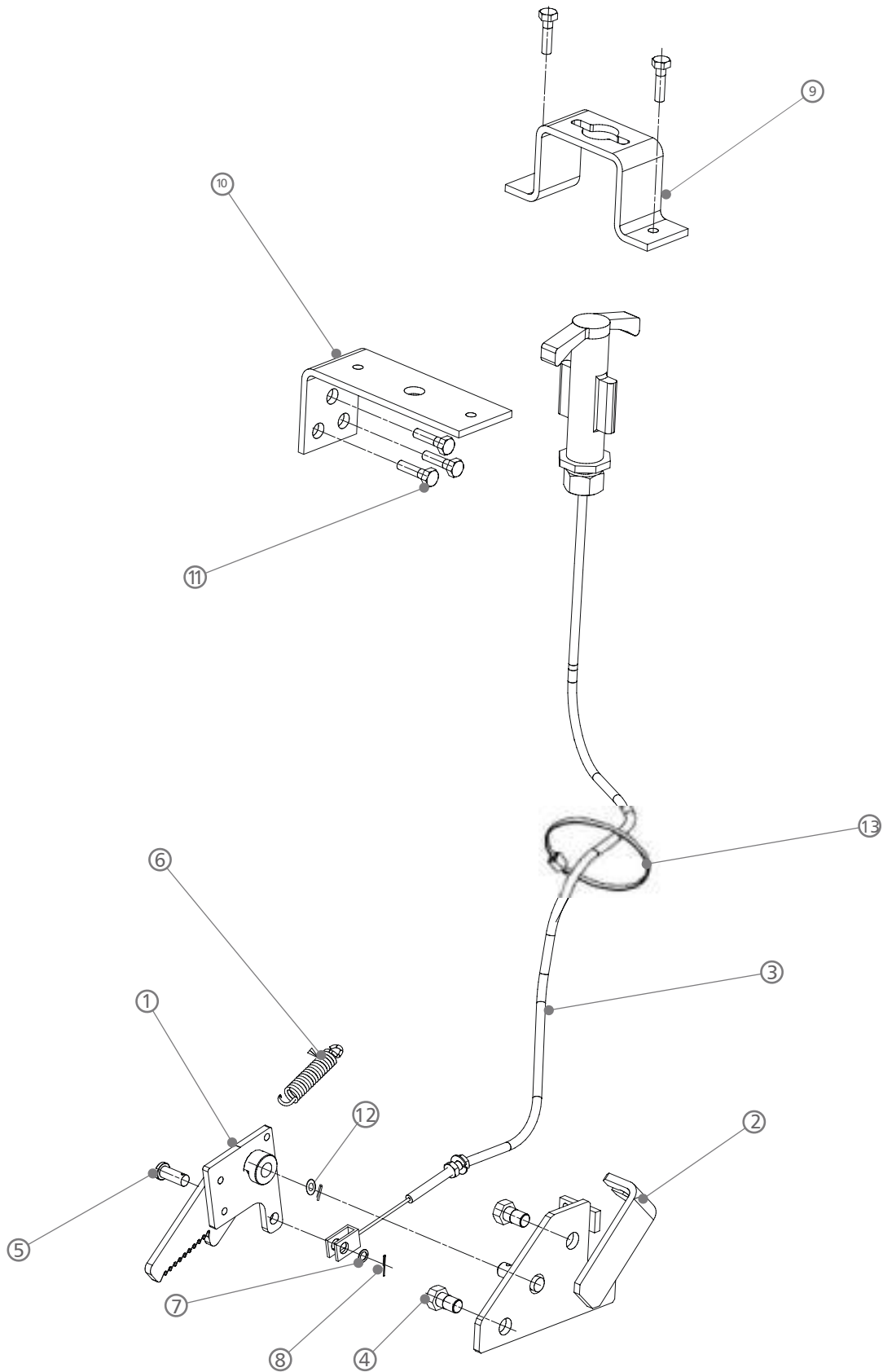
TOOL BOX ASSY



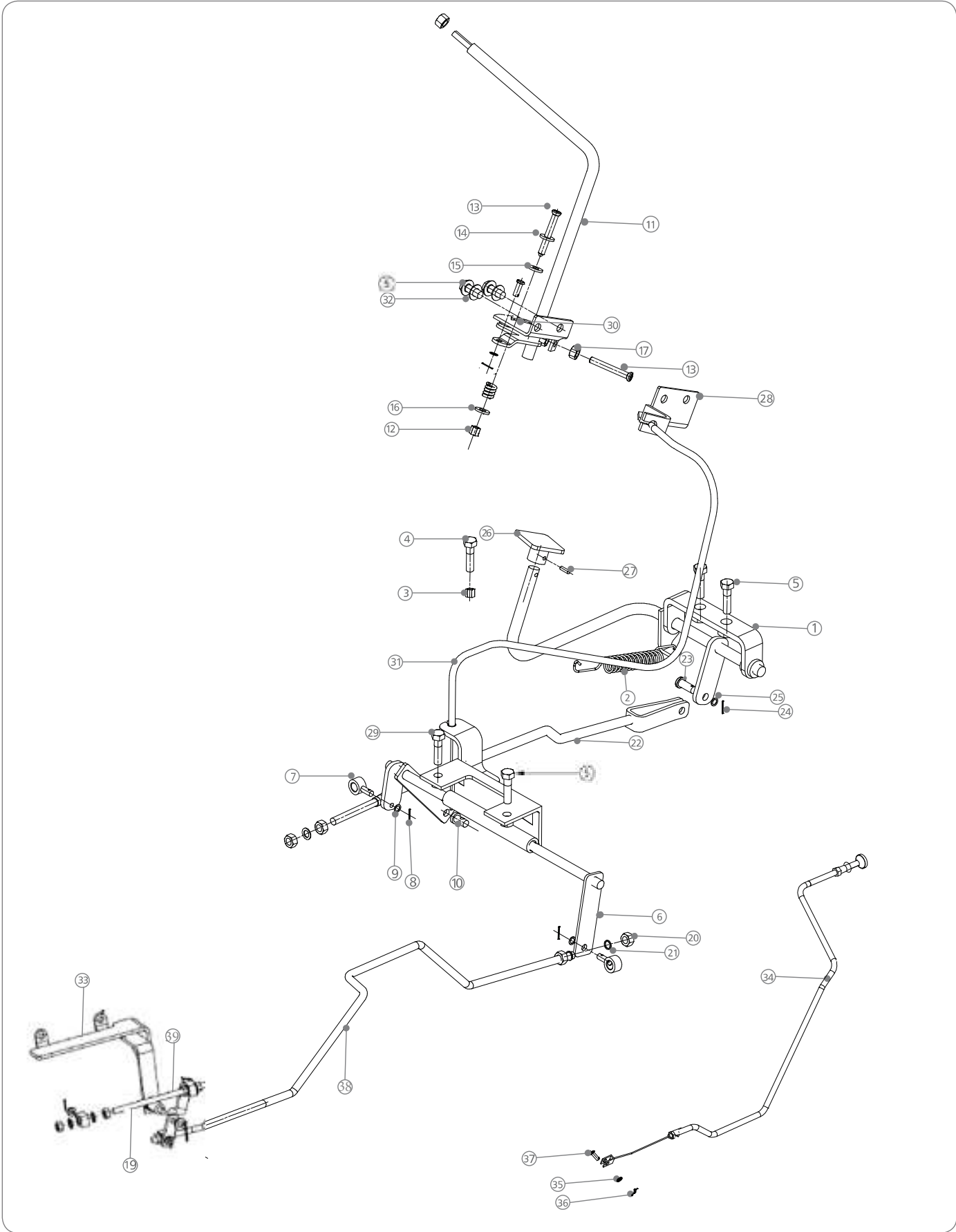
STEERING WHEEL

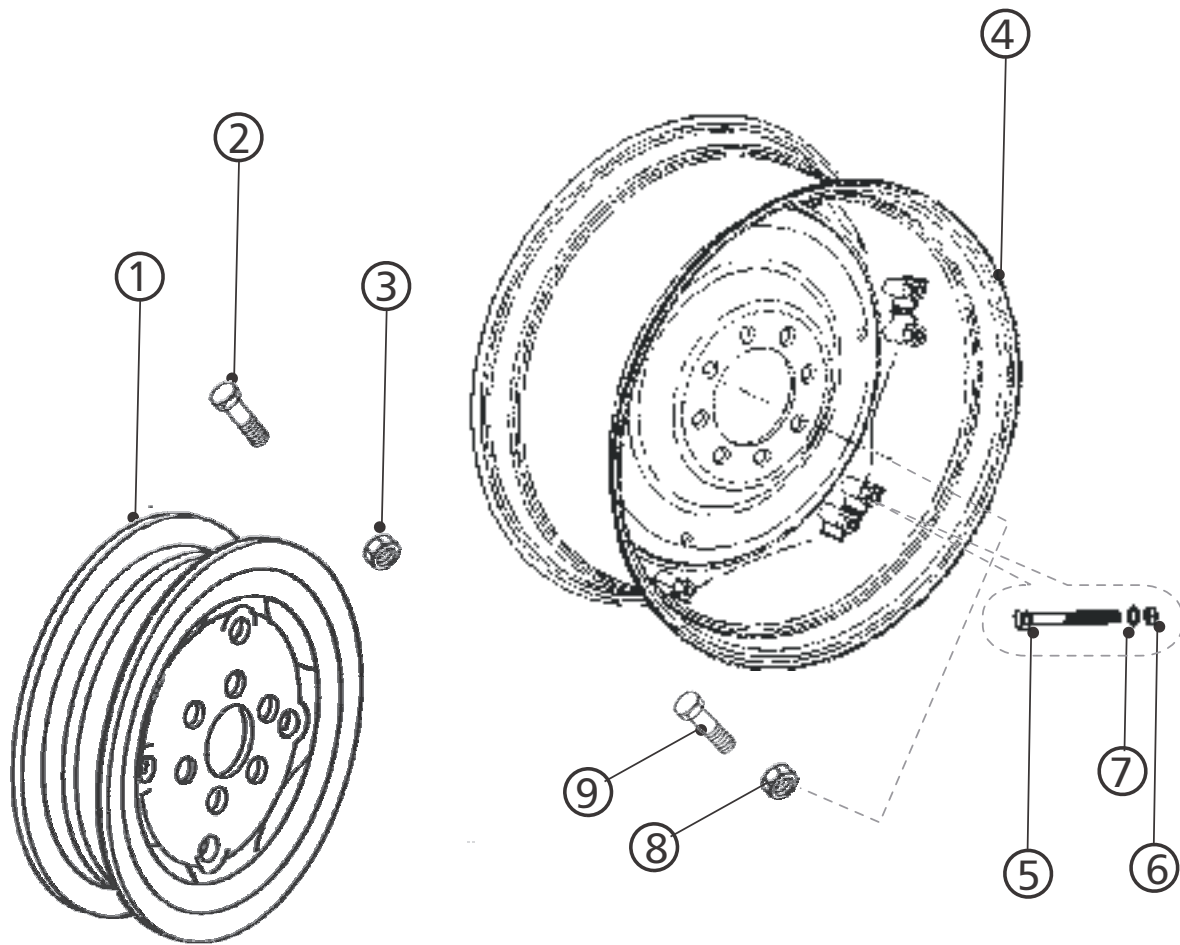


HAND BRAKE ASSEMBLY

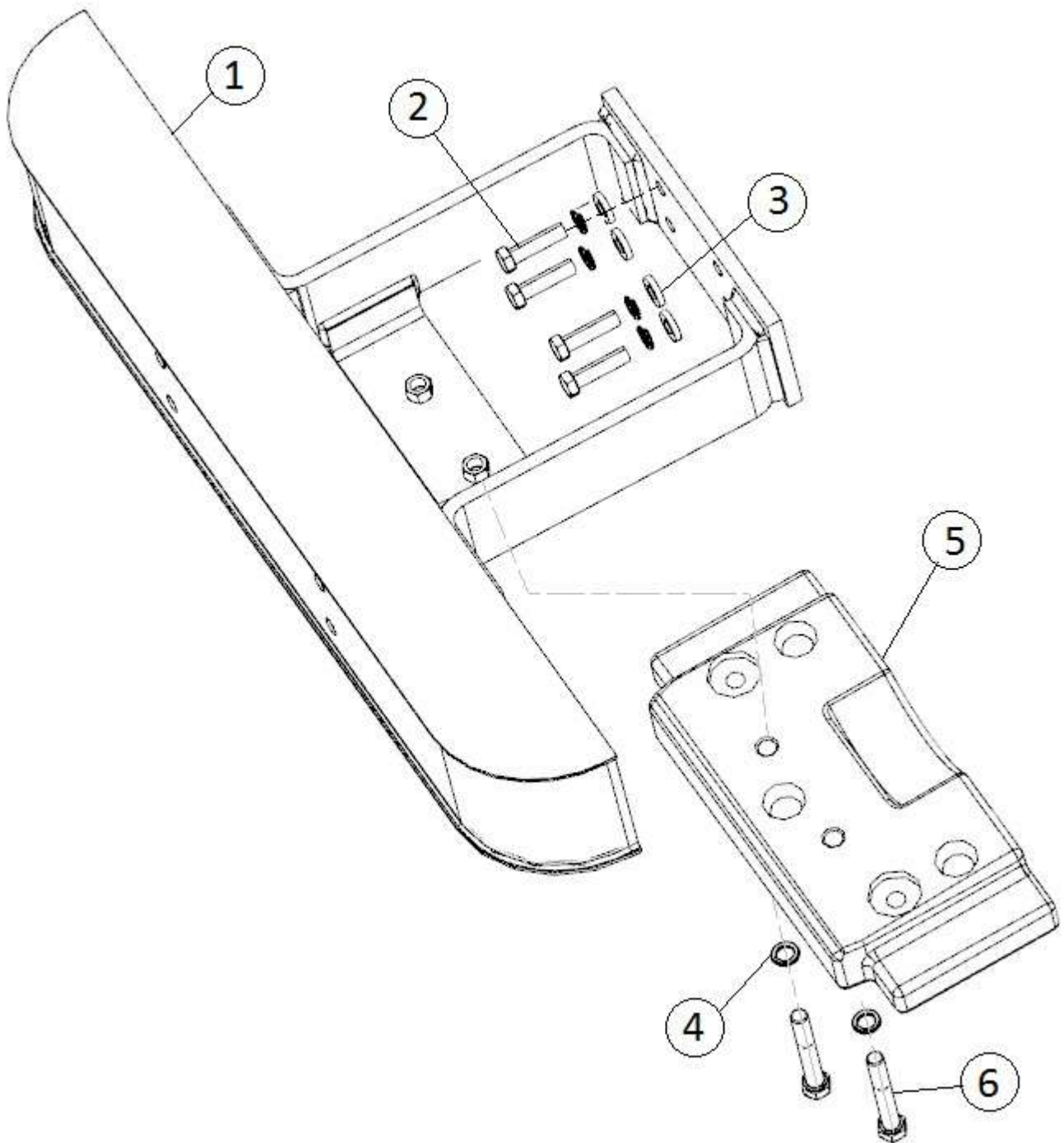


FOOT AND HAND ACCELERATOR



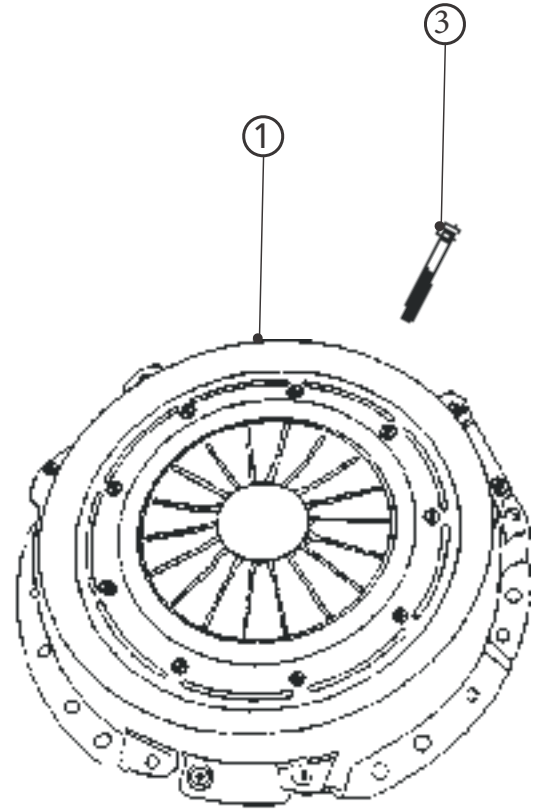
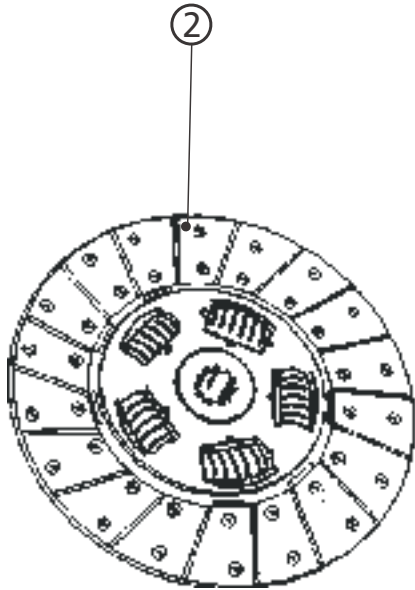


FRONT BUMPER

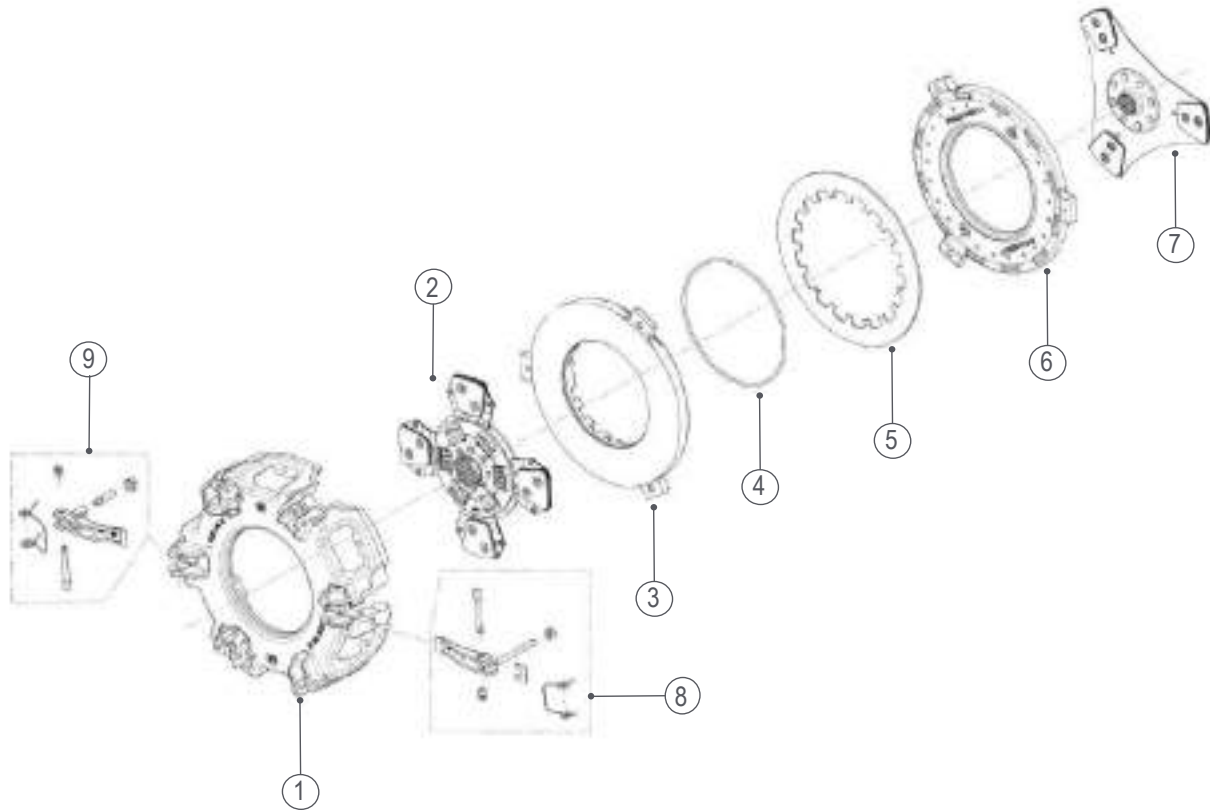


TRANSMISSION

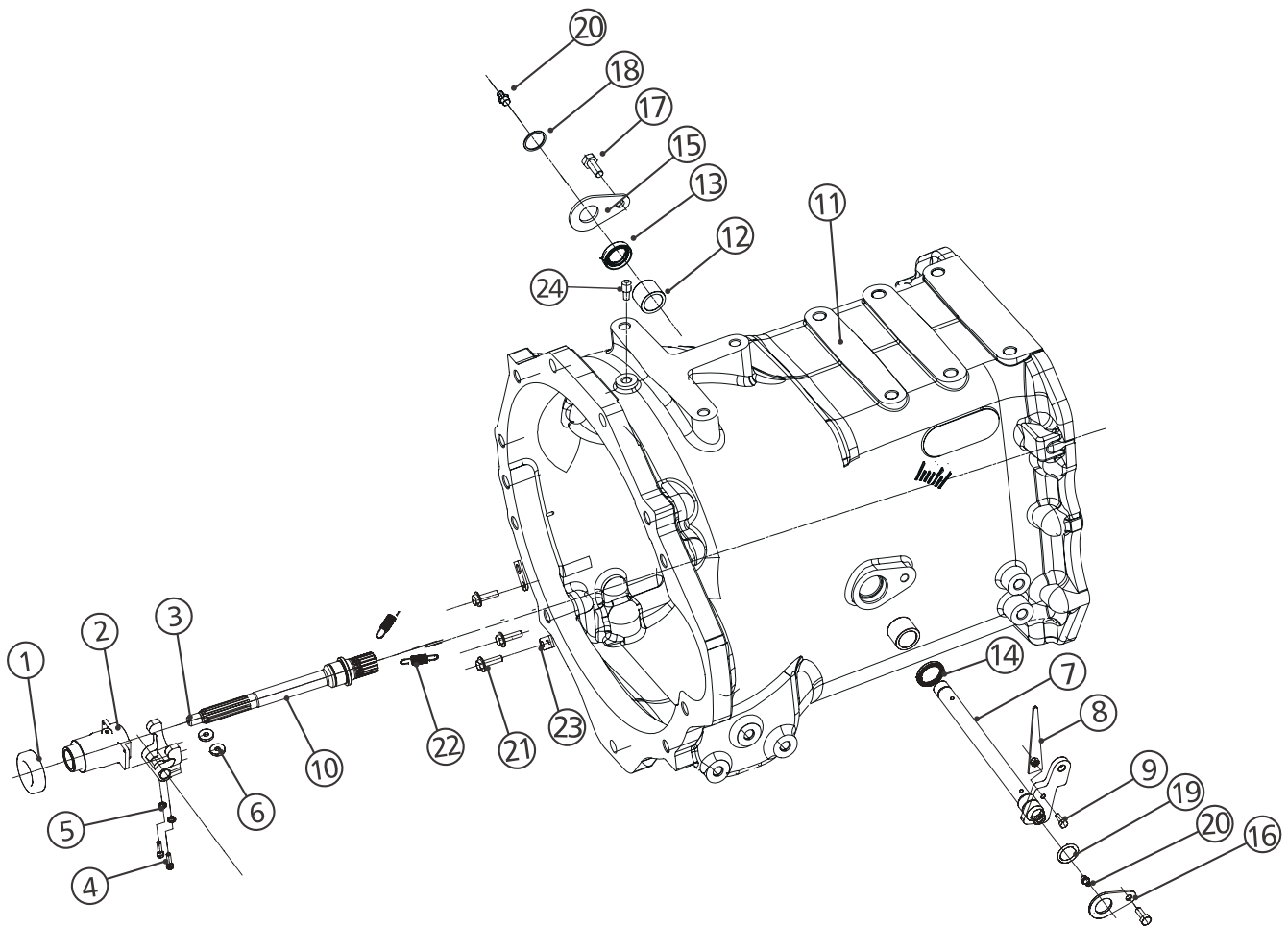
CLUTCH ASSEMBLY DIAPHRAGM



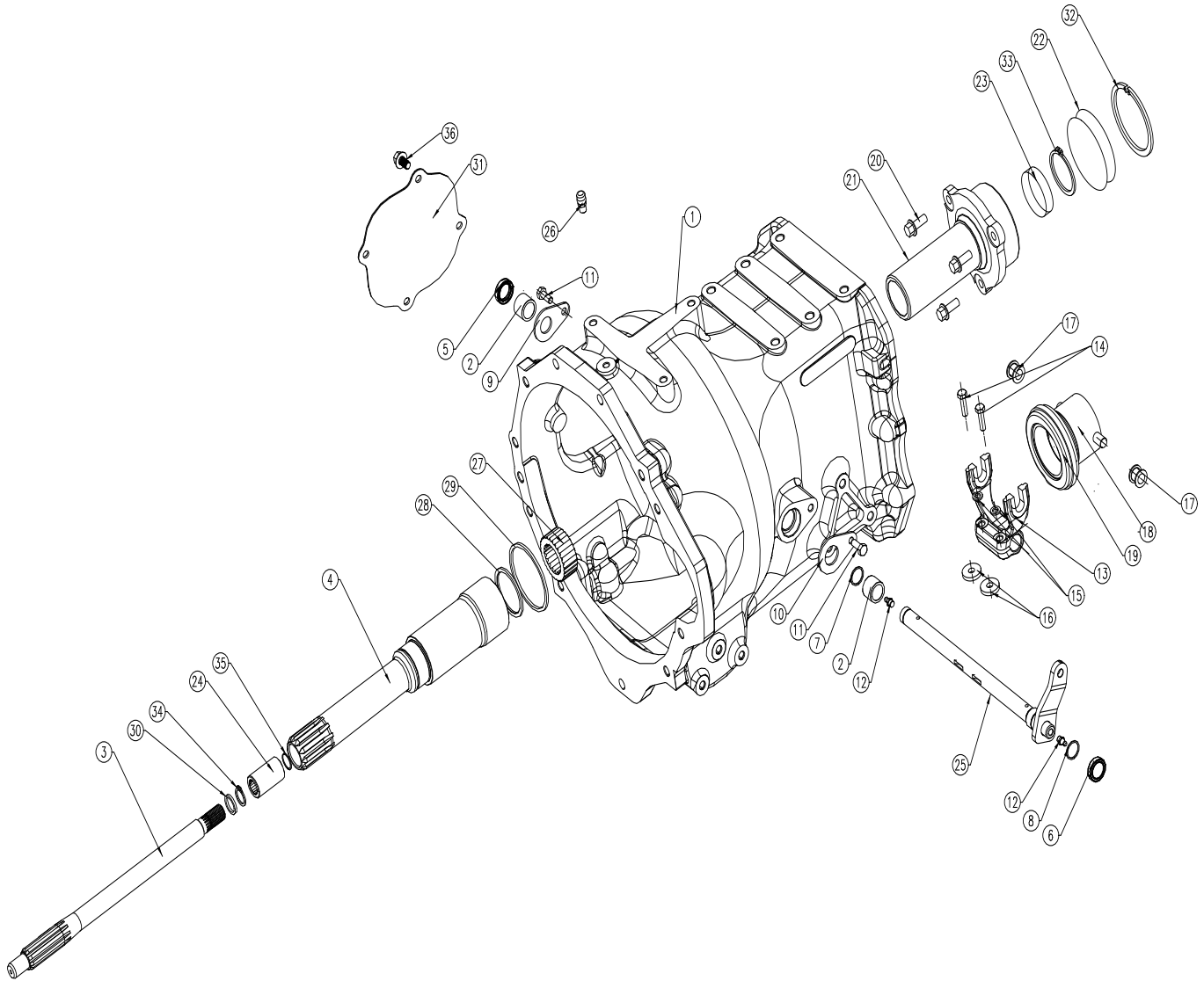
CLUTCH ASSEMBLY CRPTO/RCRPTO



CLUTCH HOUSING - Non RCRPTO

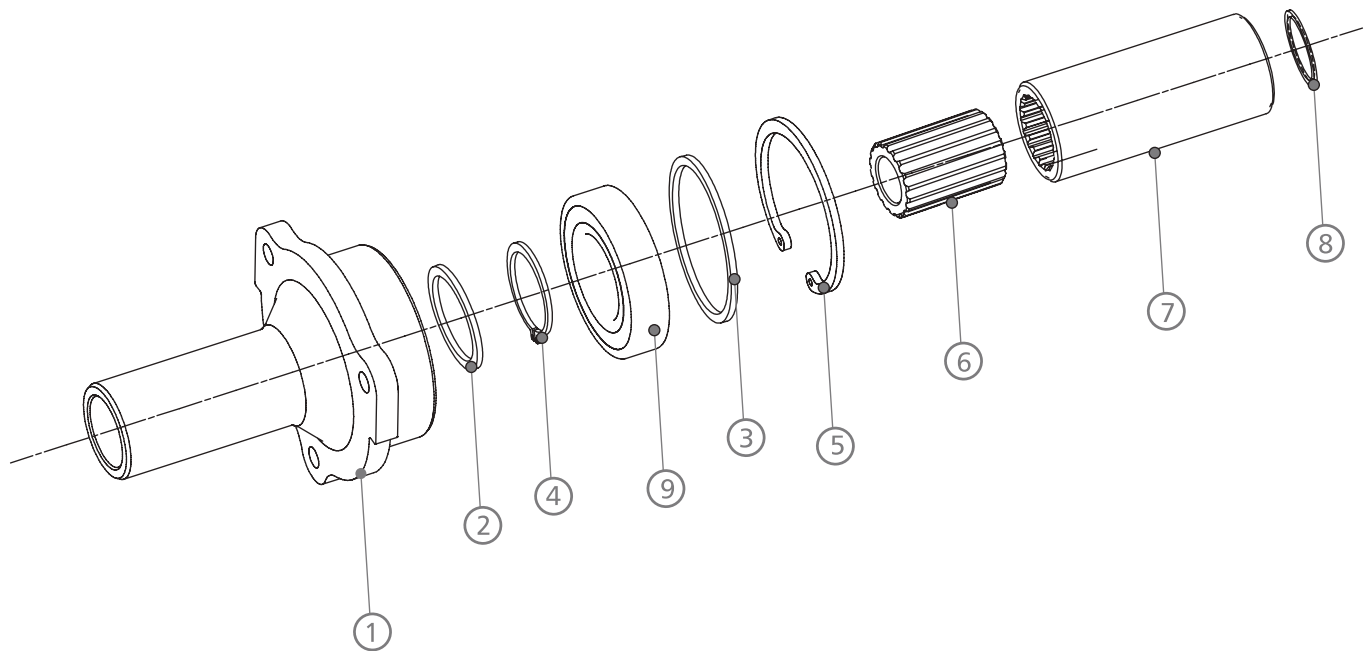


CLUTCH HOUSING - RCRPTO

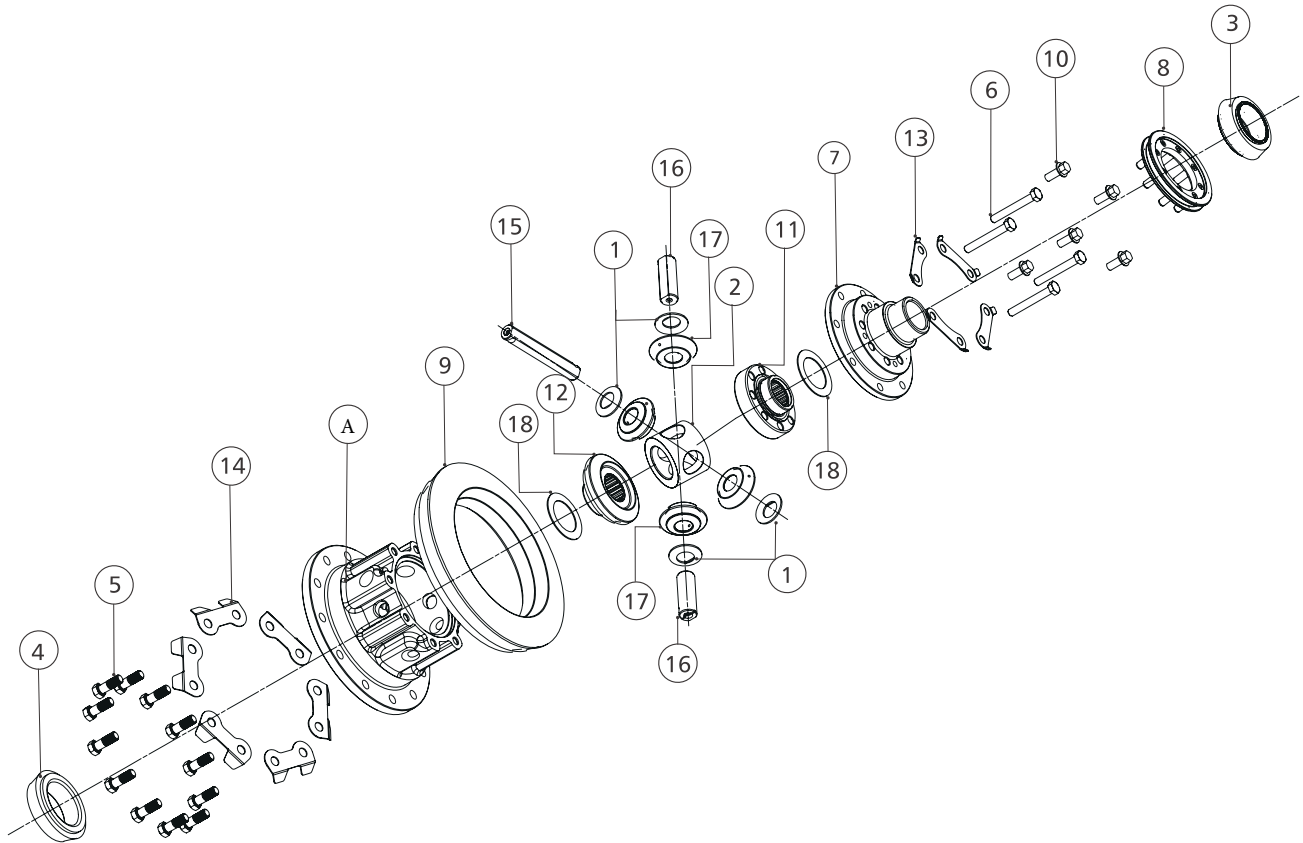


ra
Rise.

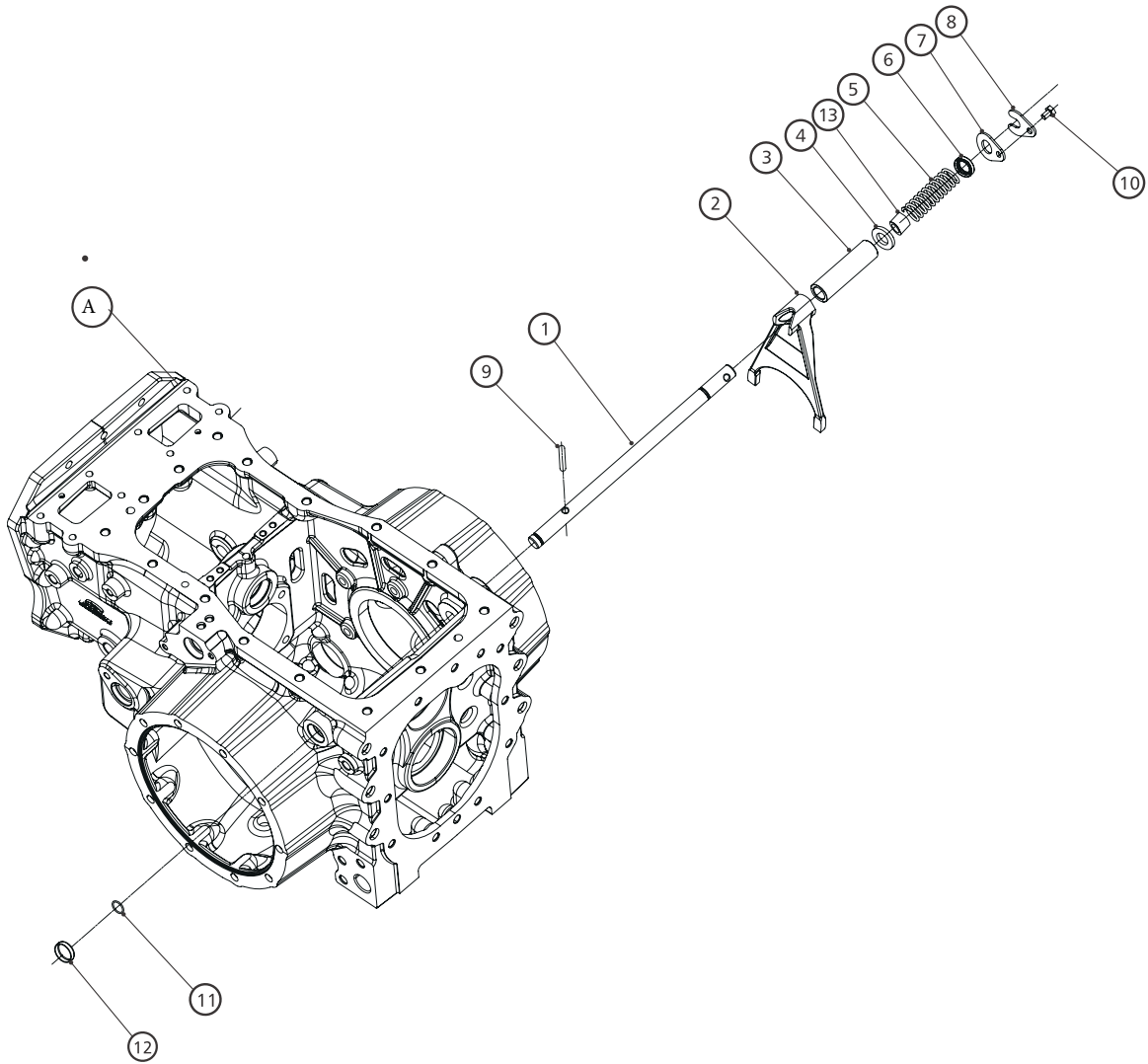
RETAINER SUB ASSEMBLY



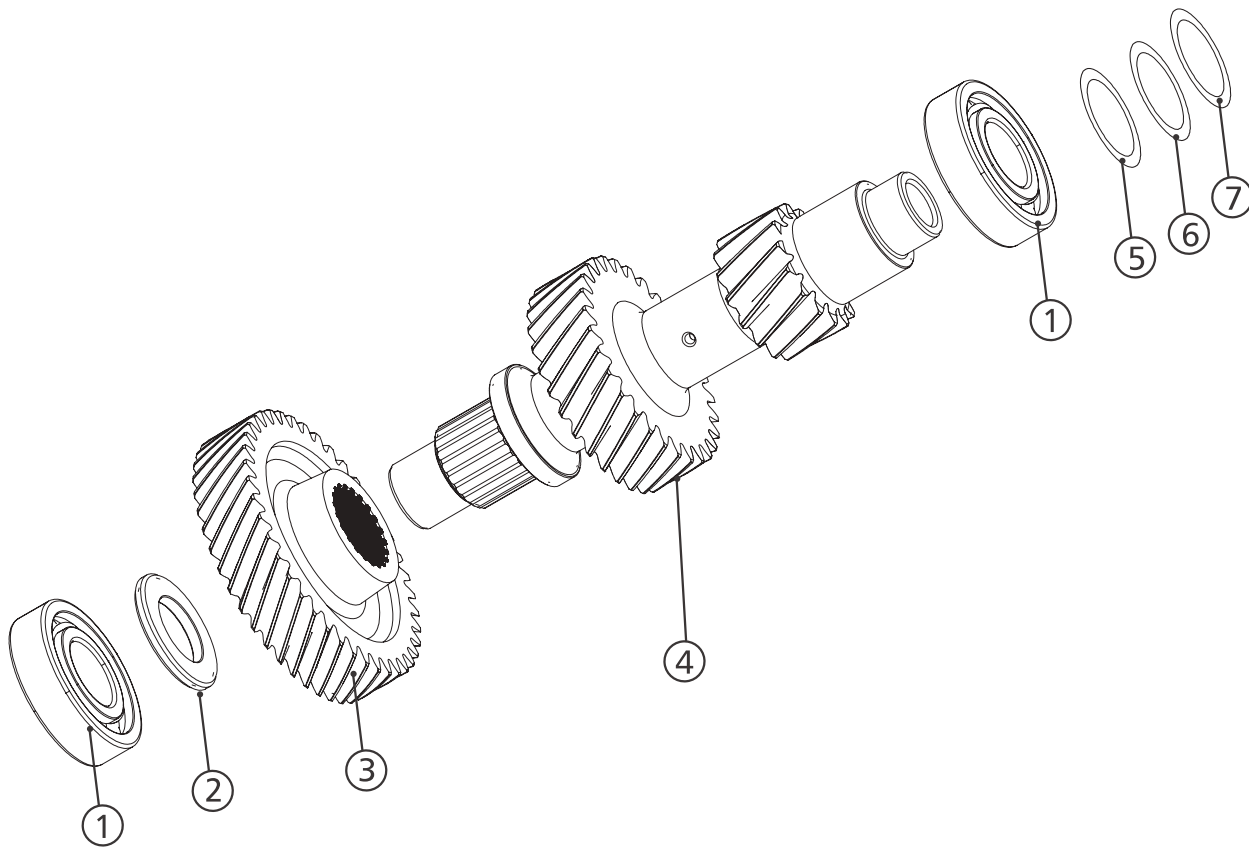
DIFFERENTIAL SUB ASSEMBLY



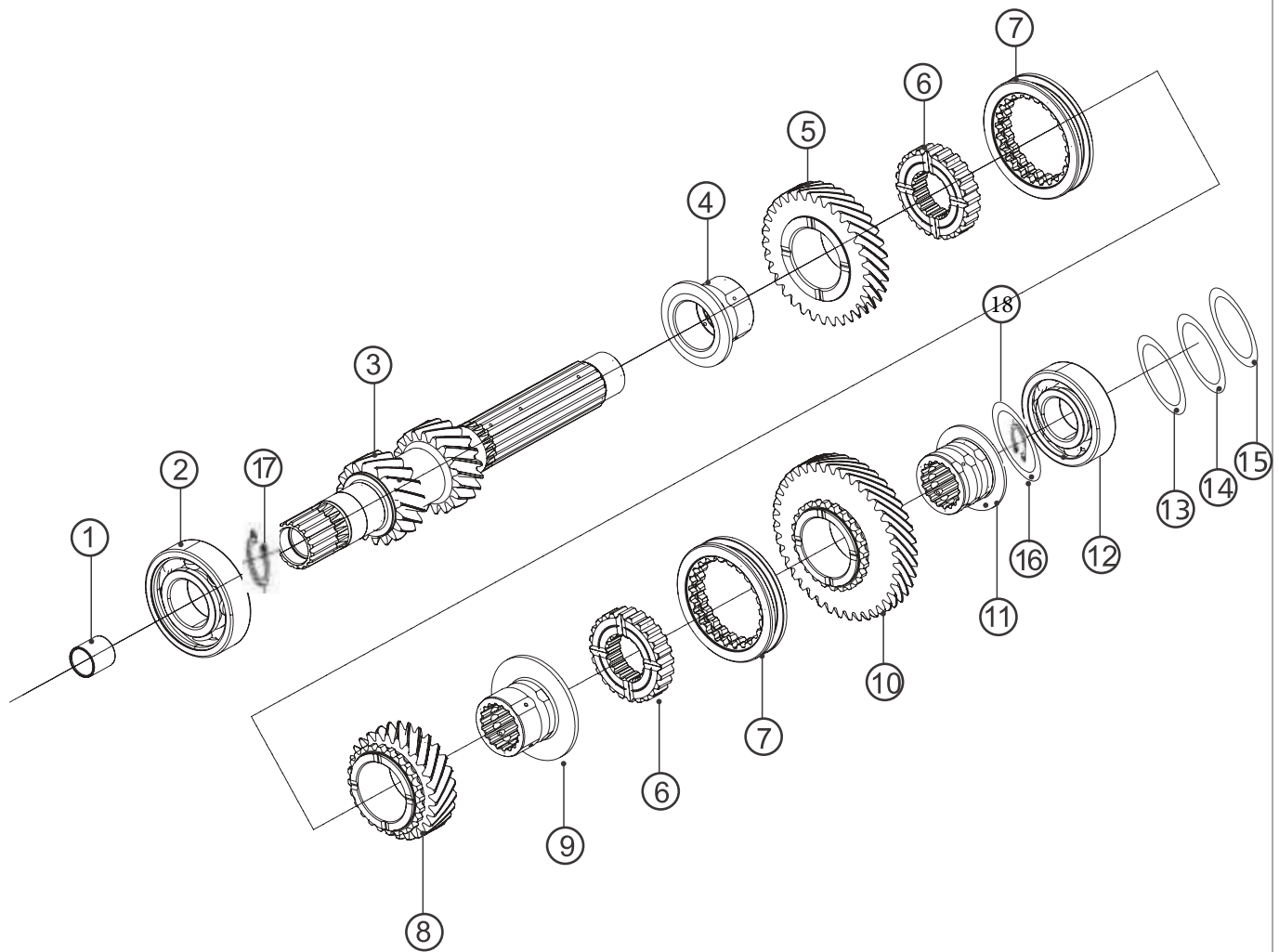
DIFFERENTIAL LOCK SUB ASSEMBLY



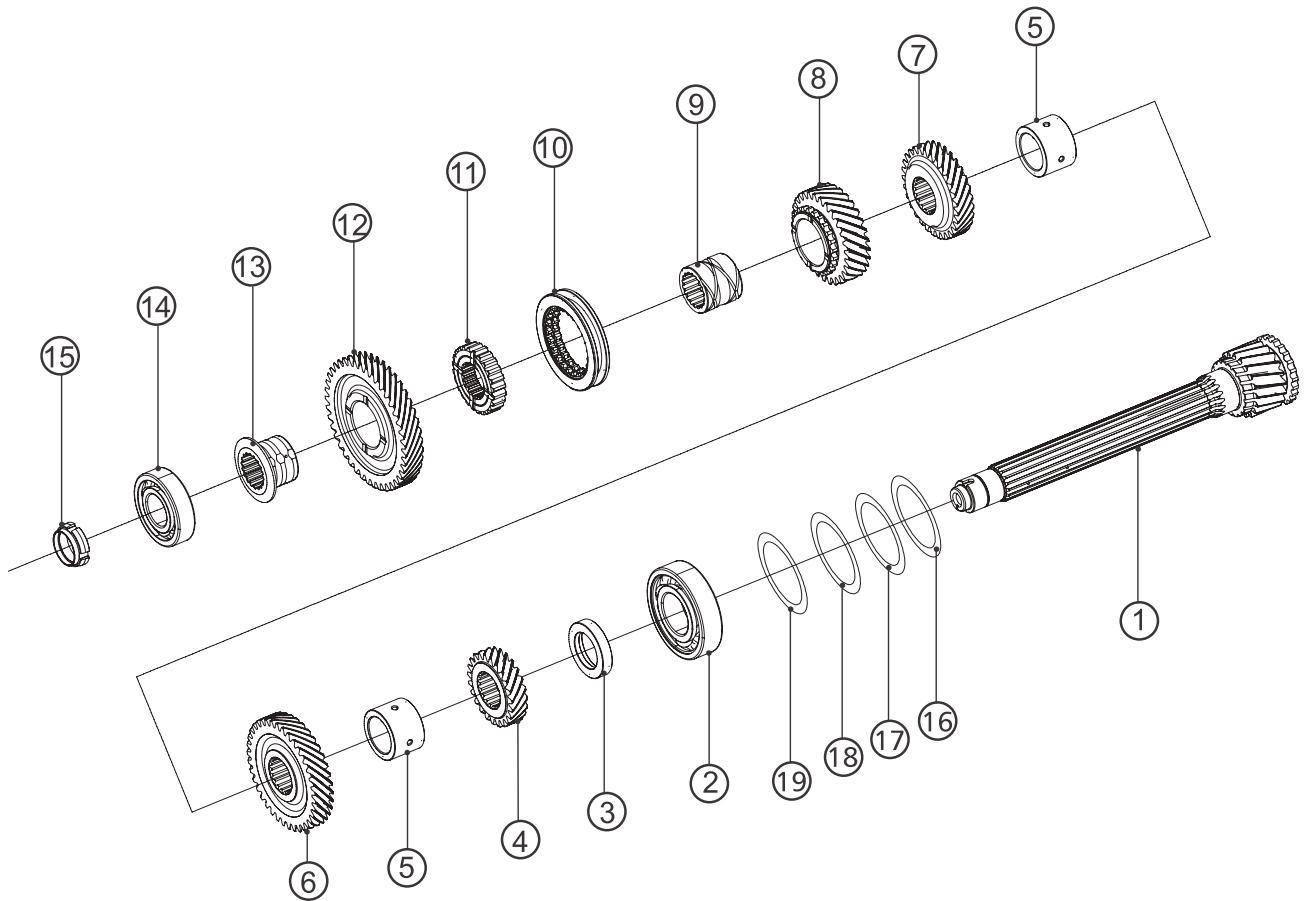
RANGE TOP SHAFT SUB ASSY



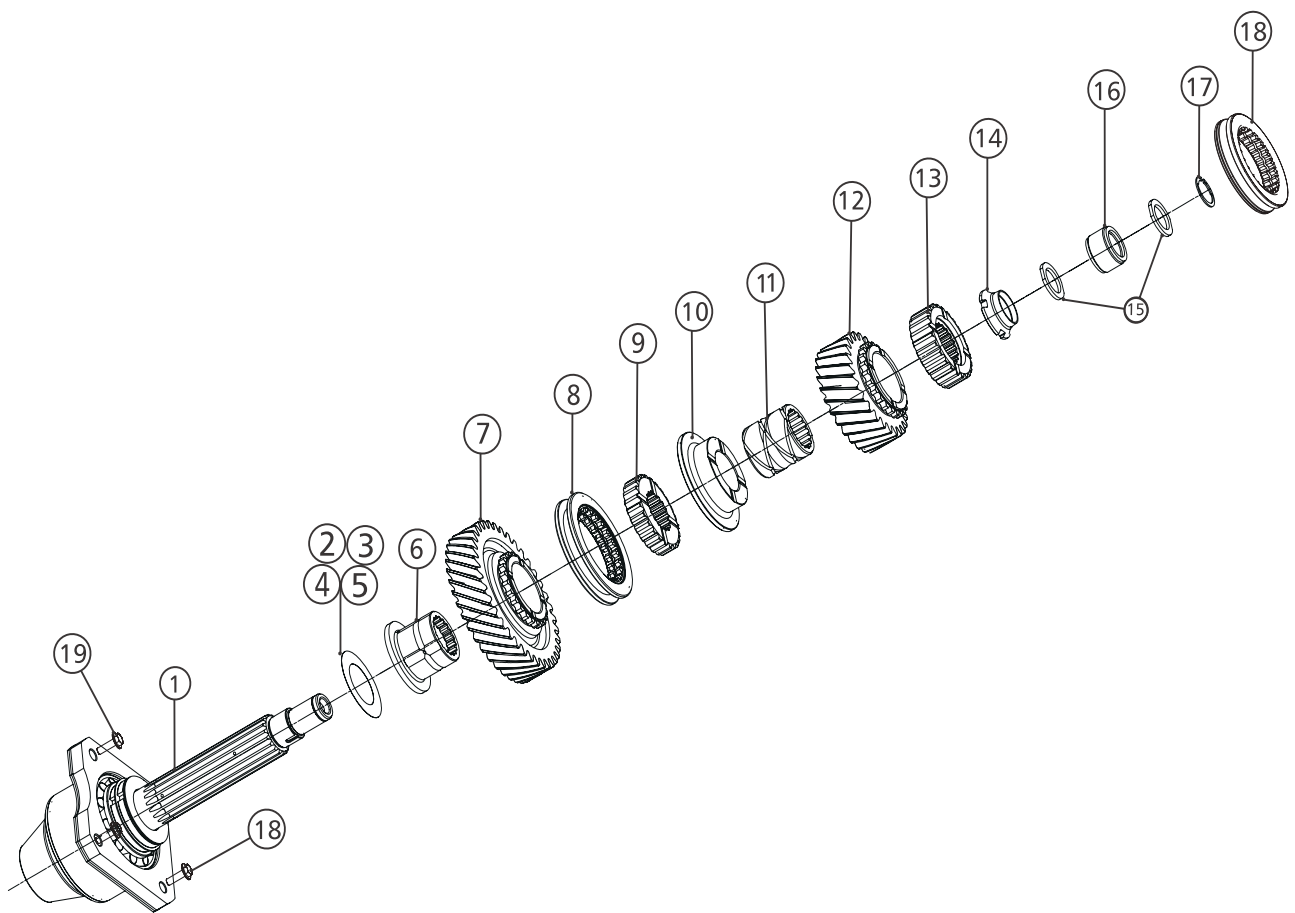
SPEED TOP SHAFT ASSEMBLY



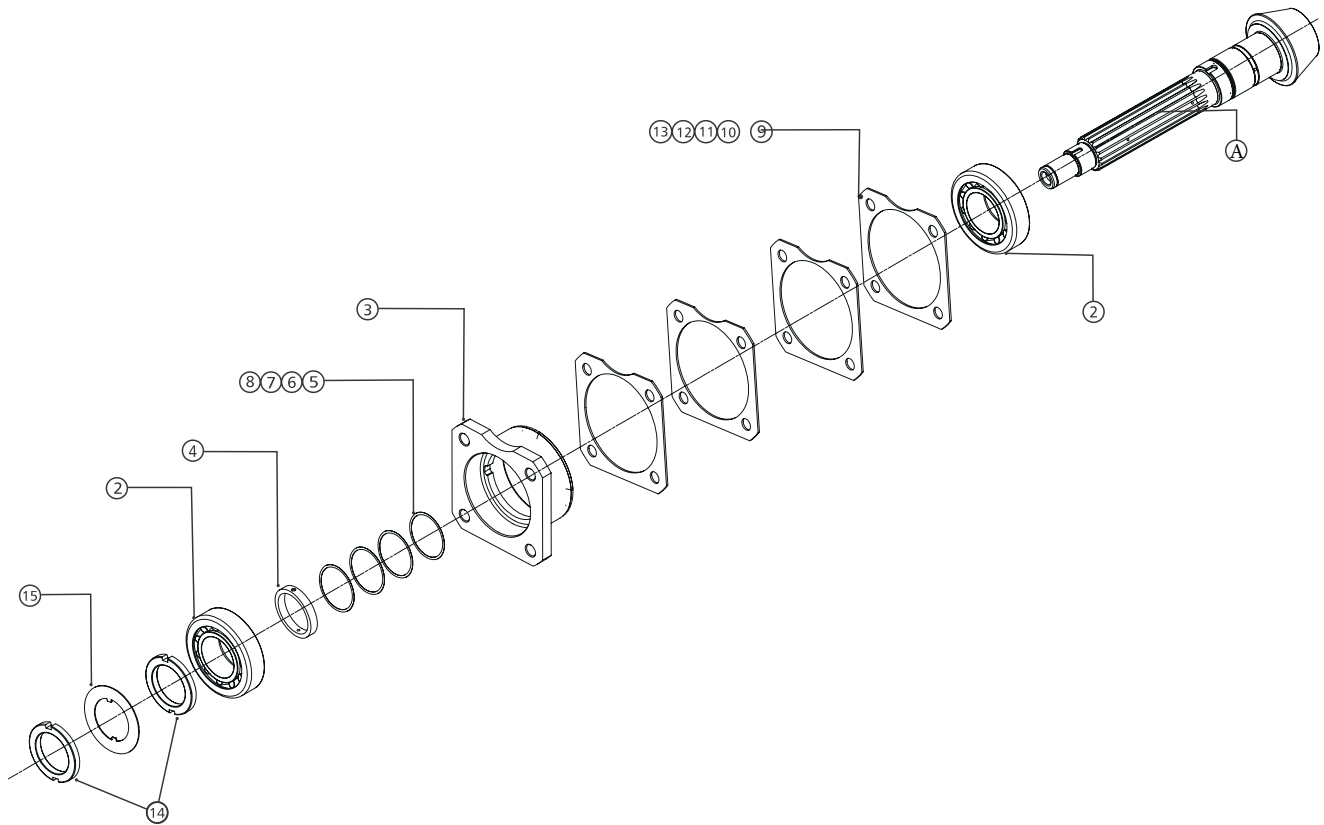
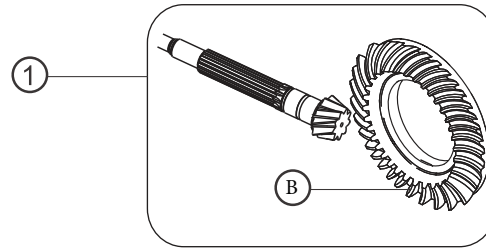
SPEED BOTTOM SHAFT ASSEMBLY



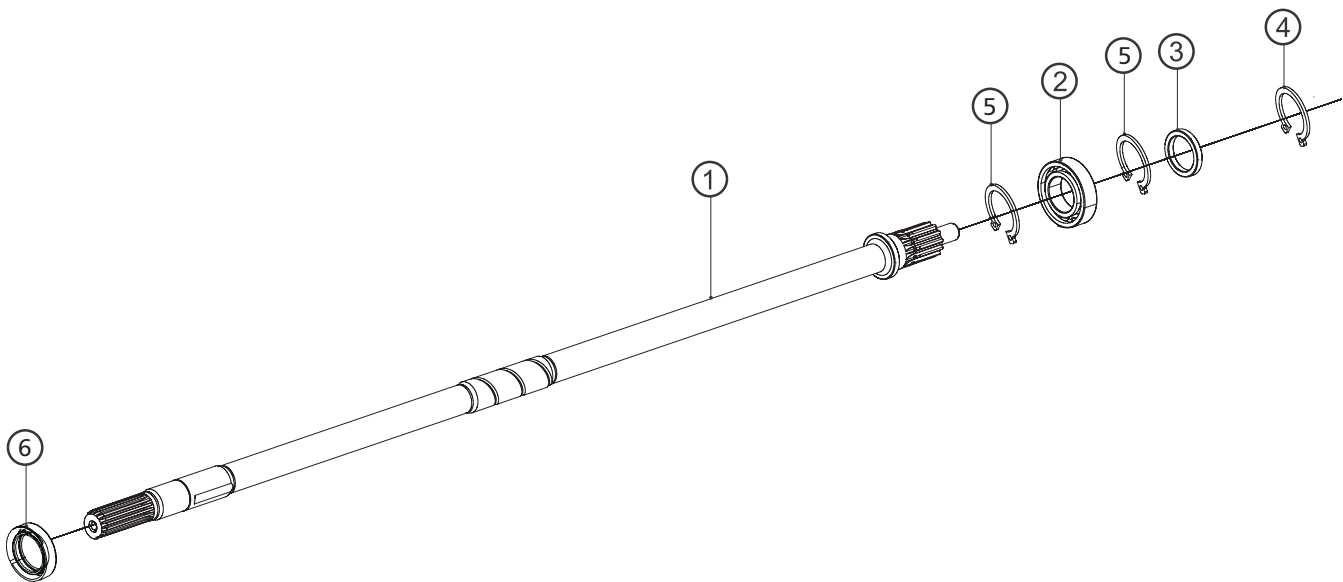
SPLINE SHAFT SUB-ASSY WITH RANGE GEARS



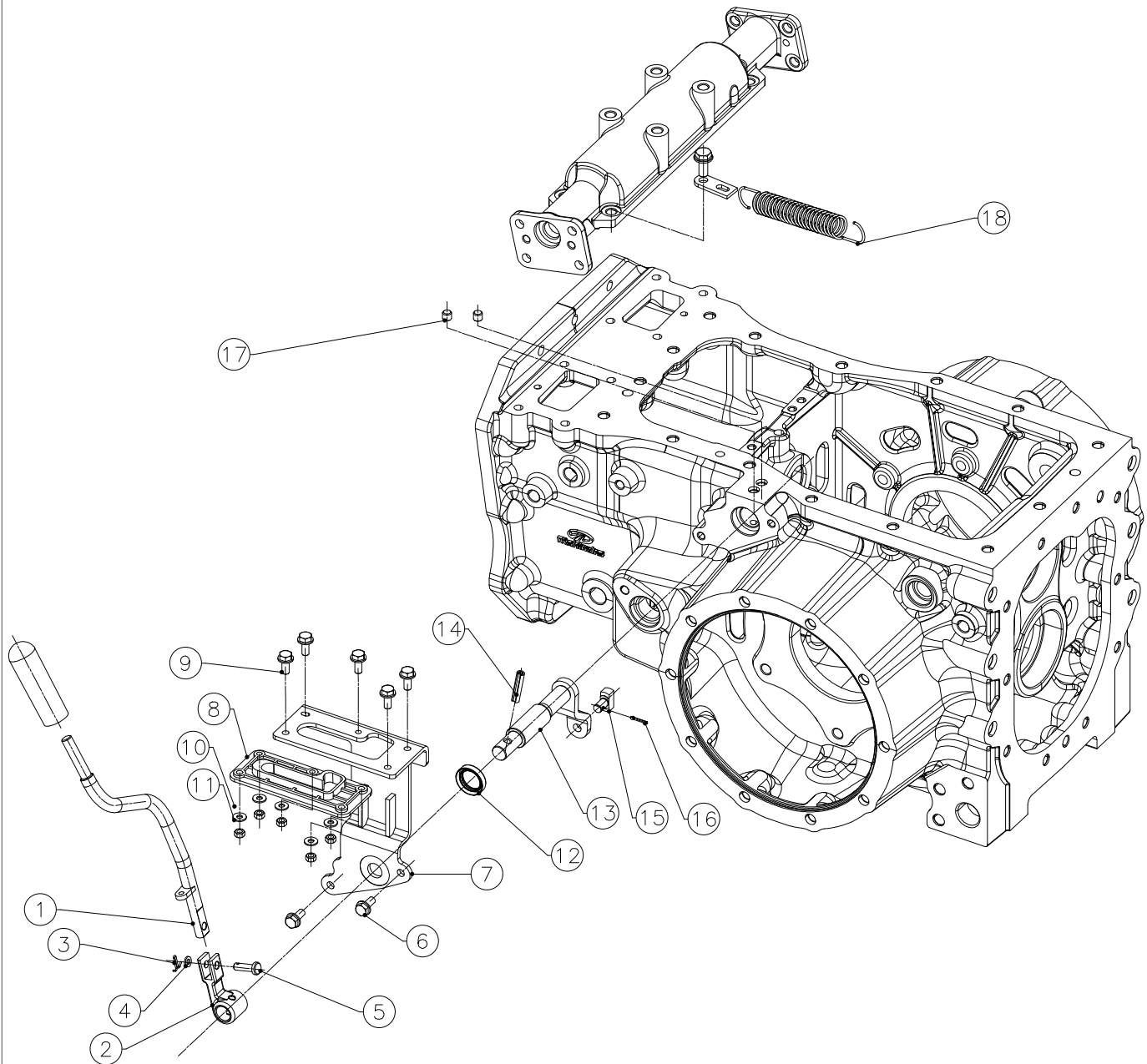
SPLINE SHAFT SUB ASSEMBLY



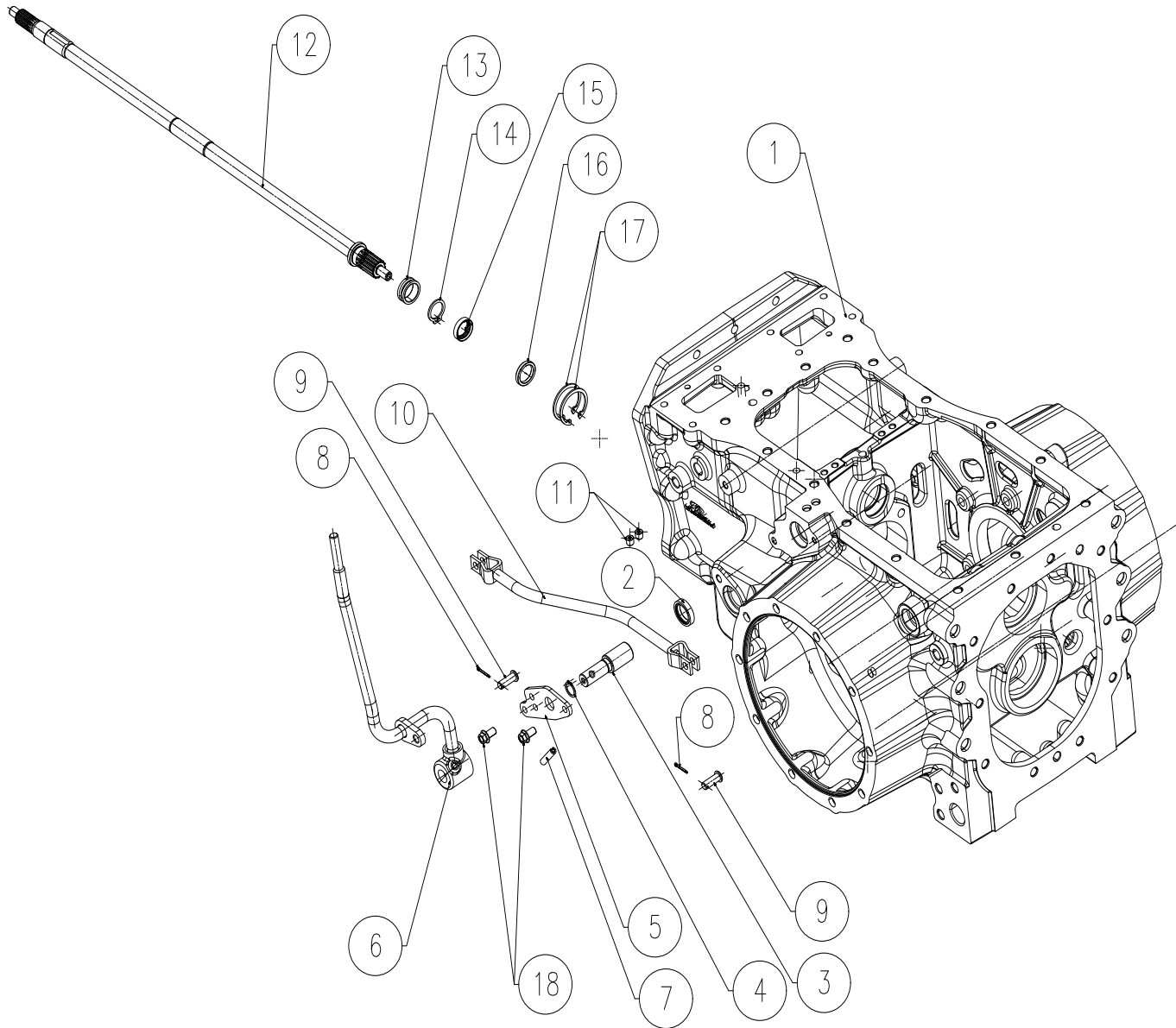
PTO INTERMEDIATE SHAFT



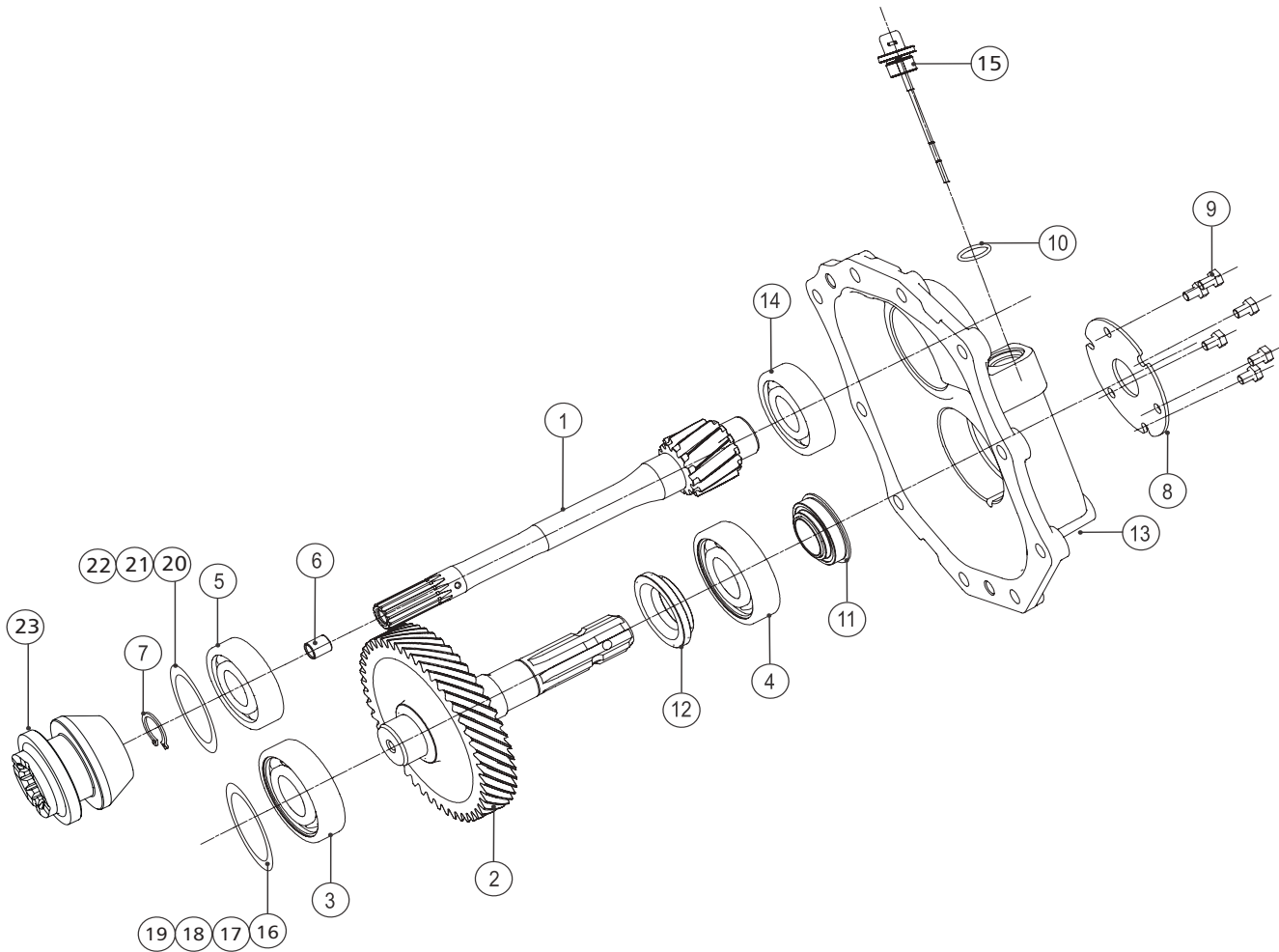
PTO SHIFTER SUB ASSY



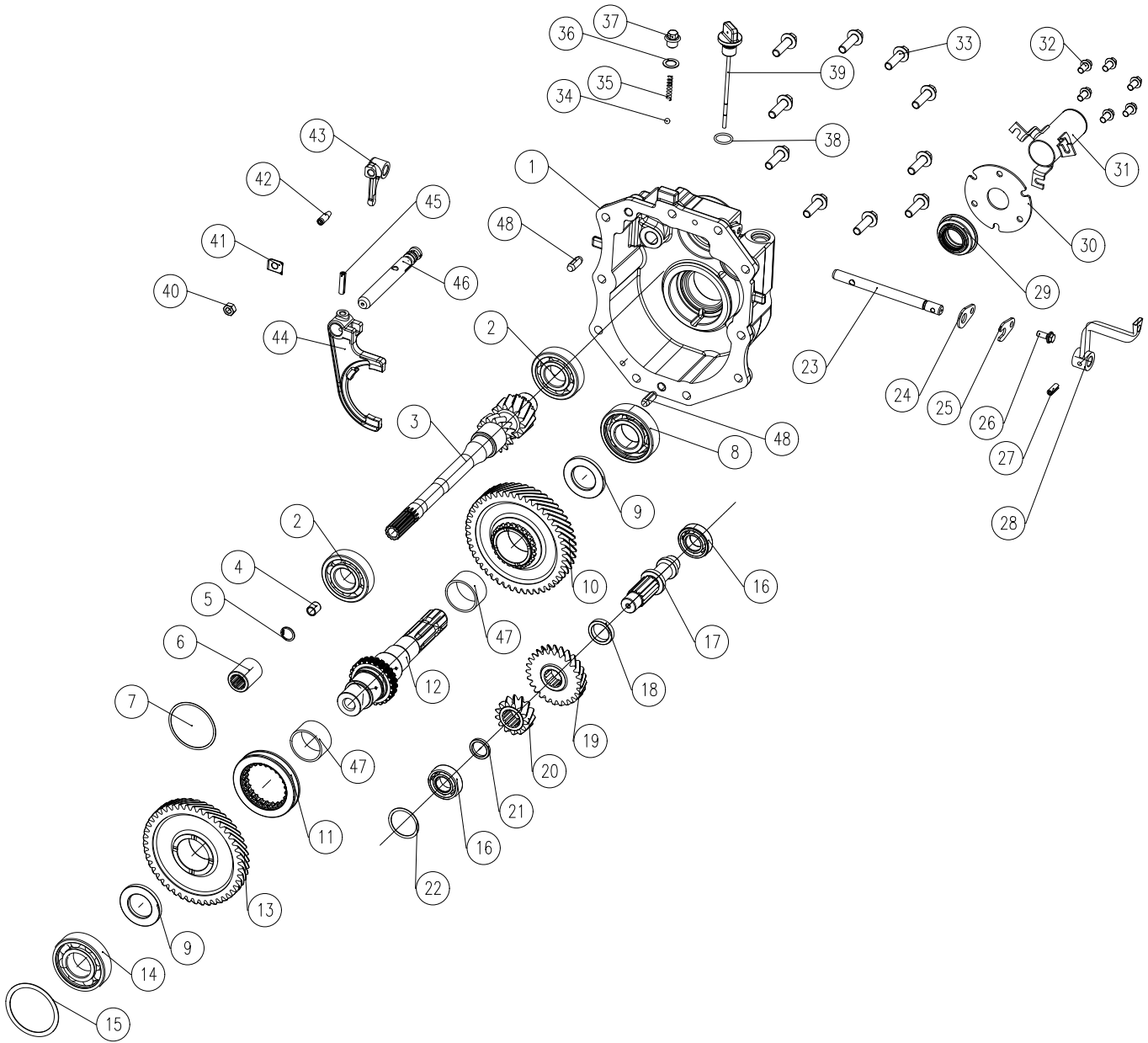
PTO SHIFTER SUB ASSY RCRPTO



POWER TAKE OFF SUB ASSEMBLY



POWER TAKE OFF SUB ASSEMBLY RCRPTO

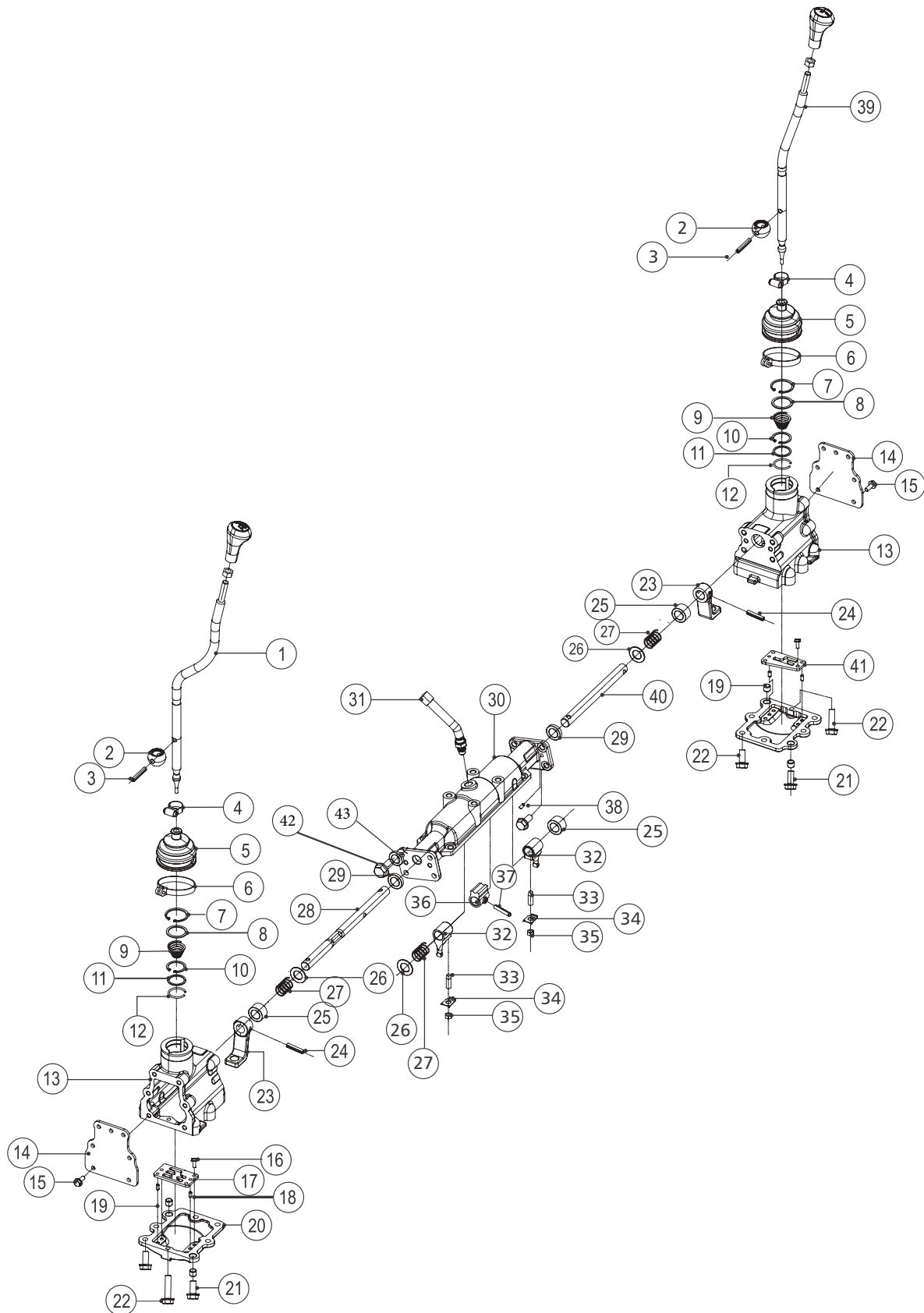


POWER TAKE OFF SUB ASSEMBLY RCRPTO

M&M Part Number	Ref.	Description of Part	Quantity		Remarks / Service Bulletin No.
			3DI	4DI	
006512278V1	1	DUAL PTO HOUSING DHRUV	1	1	
000016299P04	2	BALL_BEARING_6307(35X80X21)_0000	2	2	
006512856V1	3	SHAFT DRIVING PTO T17 & T13	1	1	
006510937V1	4	BUSH PTO DRIVING	1	1	
006509197U1	5	INTERNAL CIRCLIP 22	6	6	
006508415U1	6	COUPLING PTO INPUT INTERMEDIATE	1	1	
000012204P04	7	SHIM SPEED DRIVING SHAFT REAR MED.	A/R	A/R	
000012205P04	7	SHIM SPEED DRIVING SHAFT REAR LIGHT	A/R	A/R	
000012128P04	7	SHIM SPEED DRIVING SHAFT REAR HEAVY	A/R	A/R	
006511040V1	8	BALL BEARING 6308-Z	1	1	
006513041V1	9	SPACER IDLER CLUSTER LH	2	2	
006512858V1	10	GEAR DRIVEN 540 PTO	1	1	
006510808V1	11	COUPLING 1ST REVERSE	1	1	
006512857V1	12	SHAFT DRIVEN PTO	1	1	
006513037V1	13	GEAR DRIVEN REV. PTO	1	1	
006505608D1	14	BALL BEARING BULL SHAFT LH	1	1	
006513890V1	15	SHIMS IDLER SHAFT BEARING 0.1	A/R	A/R	
006513891V1	15	SHIMS IDLER SHAFT BEARING 0.15	A/R	A/R	
006513892V1	15	SHIMS IDLER SHAFT BEARING 0.5	A/R	A/R	
006505607D1	16	LAYSHAFT BALL BEARING FRONT	2	2	
006513040V1	17	REV IDLER SHAFT	1	1	
006513042V1	18	SPACER IDLER CLUSTER RH	1	1	
006513550V1	19	GEAR PTO IDLER SHAFT DRIVEN	1	1	
006513553V1	20	GEAR IDLER 13 TEETH	2	2	
006510914V1	21	SPACER SHAFT INTERMEDIATE PTO	2	2	
006515569V1	22	SHIM PTO DRIVEN SHAFT BEARING	A/R	A/R	
006513247V1	23	CROSS SHAFT PTOSHIFTING	1	1	
006513462V1	24	OIL SEAL COVER PLATE CR PTO	1	1	
006513461V1	25	LOCK PLATE CR PTO	4	4	
000020307E05	26	BOLT M8X1.25X20	1	1	
006515576V91	27	COMPOND ROLL PIN (DIA 6 X 22)	1	1	
006513248V1	28	CROSS SHAFT LINK PTO SHIFTING	1	1	
006511674V1	29	OIL SEAL FOR REAR PTO DRIVEN SHAFT	1	1	
006510999V1	30	COVER PLATE OIL SEAL PTO	1	1	
006512393V11	31	CAP PTO PROTECTIVE DHRUV	1	1	
000020308E05	32	BOLT FOR OIL PAN M8X1.0X16	6	6	
000013898P04	33	BOLT HEXFL M12X1.75X40X10.9	10	10	
006503662C1	34	BALL STEEL 8MM	1	1	
006509853U1	35	SPRING RETENTION SHIFTING SYSTEM	1	1	
000012488P04	36	COPPER WASHER FOR RETENTION BOLT	1	1	
006513820V1	37	BOLT SPRING RETENTION	1	1	
000016656P04	38	O-RING 22.7X2.8	1	1	
006513879V1	39	DIPSTICK	1	1	
000031251B12	40	NUT HEX M8X1.25X8X8	1	1	
006511058V1	41	LOCK PLATE GRUB SCREW	1	1	
000031249B12	42	SCREW GRUB SK M10X1.5X30XST	1	1	
006513244V1	43	CAM INNER PTO SHIFTING	1	1	

* Parts Not Illustrated / ‡ Not Serviceable Separately / ◆ Alternate Part Number / A/R As Required

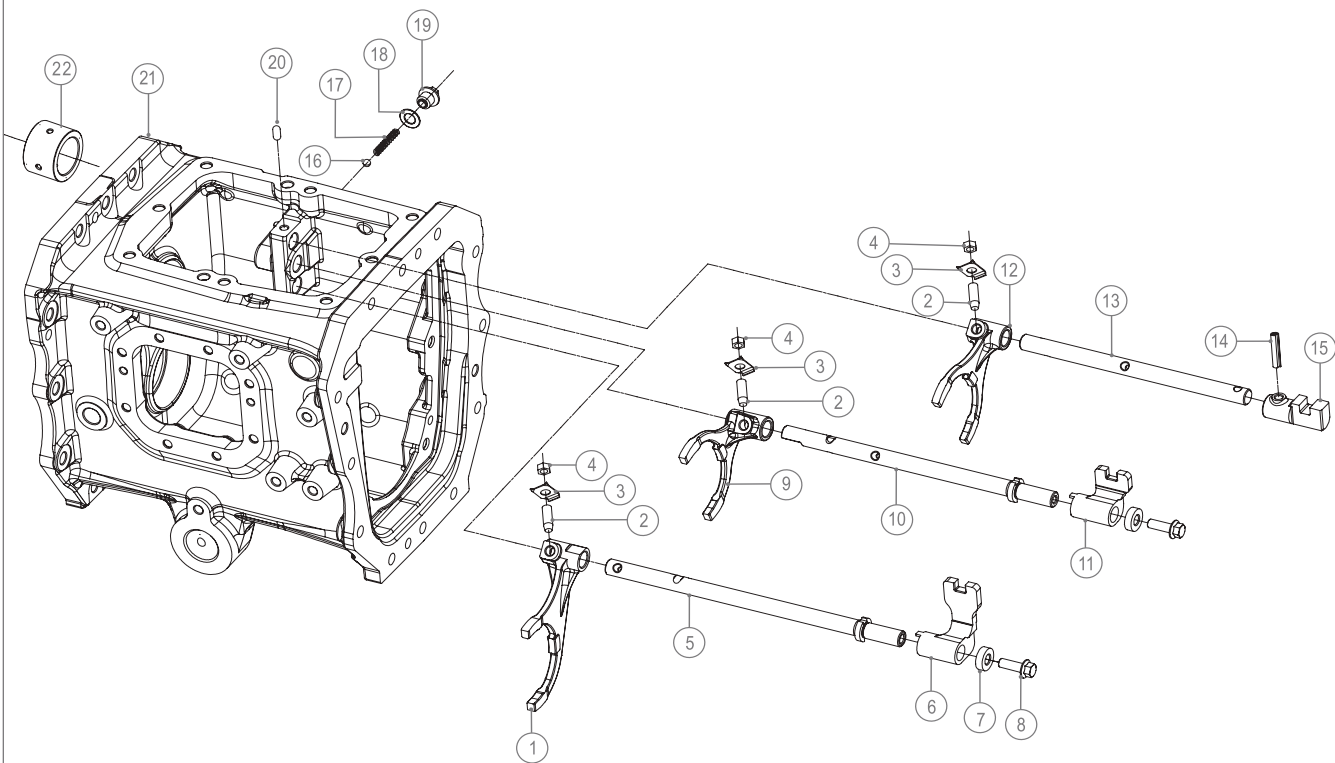
SHIFTING ASSY



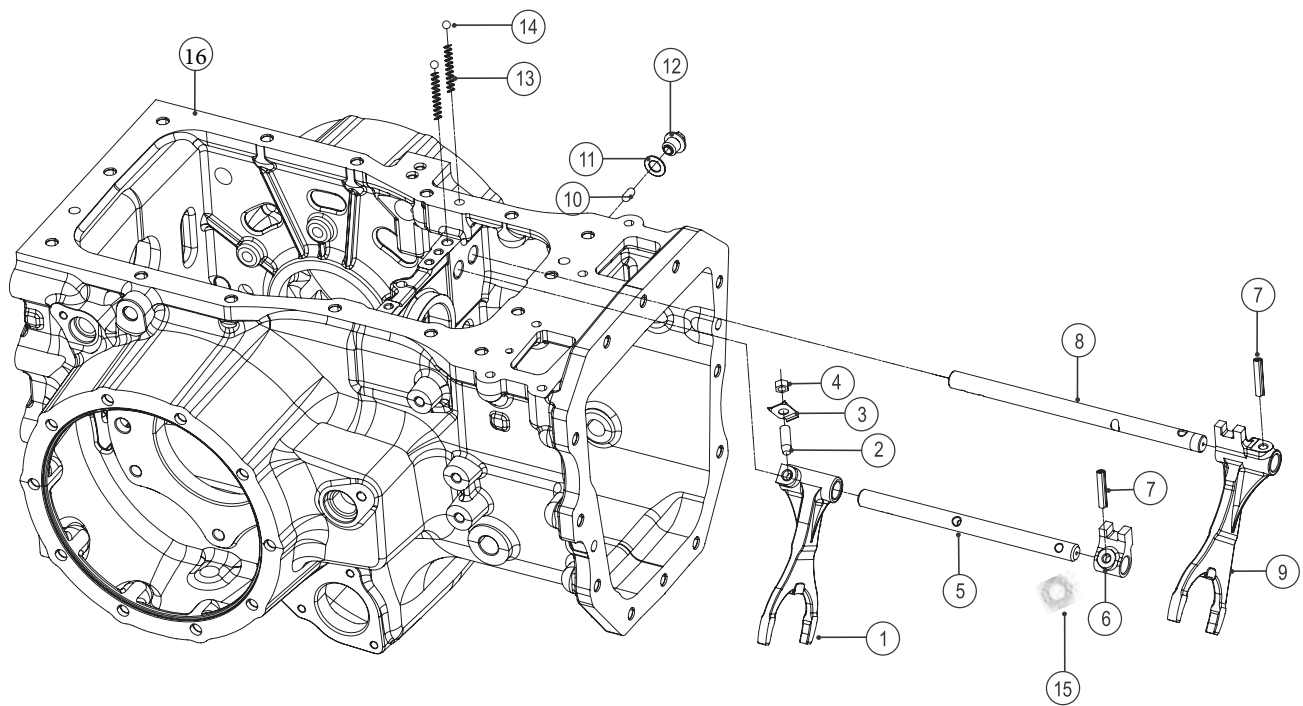
M&M Part Number	Ref.	Description of Part	Quantity		Remarks / Service Bulletin No.
			3DI	4DI	
006510557V1	1	LEVER SPEED SHIFTER	1	1	
006510560V1	2	BALL PIVOT GEAR SHIFTER LEVER	2	2	
006510946V1	3	ROLL PIN 8 X 50	2	2	
005556668R91	4	CLAMP HOSE WORM DRIVE	2	2	
006510774V1	5	RUBBER BOOT SPEED	2	2	
005555585R91	6	HOSE CLIP	1	1	
000012188P04	7	CIRCLIP INTERNAL	2	2	
006513581V1	8	SPACER STOPPER CONICAL SPRING	2	2	
006510554V1	9	CONICAL SPRING SHIFTER LEVER	2	2	
000031023B11	10	CIRCLIP INTERNAL	2	2	
006510948V1	11	SPACER WIRE CLIP STOPPER	2	2	
006510952V1	12	WIRE CLIP SHIFTER BALL STOPPER	2	2	
006510925V1	13	BOX SIDE COVER SHIFTER HOUSING	2	2	
006511097V1	14	COVER PLATE SHIFTER SIDE COVER BOX FRONT	2	2	
000020308E05	15	HEX HEAD FLANGE BOLT M8 X 16	12	12	
000020797E05	16	M6 X 12 FLANGE BOLT	6	6	
006513816V1	17	GUIDE PLATE SPEED	1	1	
006513806V1	18	DOWEL PIN 6 X 12	4	4	
006511118V1	19	SLEEVE LOCATING COVER PLATE	4	4	
006511263V1	20	PLATE COVER SHIFTER BOTTOM RH	2	2	
000020313E05	21	HEX HEAD FLANGE BOLT M10 X 25.5 - 8.8	22	22	
000020310E05	22	M8 X 35 FLANGE HEADED BOLT	2	2	
006510552V1	23	CAM LINK OUTER SPEED/RANGE	2	2	
006511060C91	24	COMPOUND ROLLPIN ASSY	2	2	
006511151V1	25	SPACER LONG CROSSGATE	3	3	
006512276V1	26	SPACER BIASING SPRING	3	3	
006512275V1	27	SPRING BIASING	3	3	
006510553V1	28	SHAFT GATE SHIFTER SPEED	1	1	
006504206C91	29	OIL SEAL HOUSING SHIFTER TOP	2	2	
006511261V1	30	HOUSING SHIFTER MAIN TOP	1	1	
007702760V91	31	NEUTRAL SWITCH	1	1	
006510551V1	32	CAM LINK INNER SPEED/RANGE	2	2	
000031249B12	33	GRUB SCREW M10 X 1.25	2	2	
006511058V1	34	LOCK PLATE FORK	2	2	
000031251B12	35	FORK CLAMPING NUT M10 X 1.25	2	2	
006513786V1	36	CAM INNER NEUTRAL SWITCH	1	1	
006514763V91	37	ROLL PIN 6.35 X 17	1	1	
000020281E05	38	DOWEL PIN 8 X 18	6	6	
006510558V1	39	LEVER RANGE SHIFTER	1	1	
006511965V1	40	SHAFT GATE SHIFTER RANGE	1	1	
006513817V1	41	GUIDE PLATE RANGE	1	1	
006513820V1	42	BOLT SPRING RETENTION	1	1	
000012488P04	43	COPPER WASHER	1	1	
006507427B1	*	LOCTITE 5060	60ml	60ml	
006515218B1	*	LOCTITE 638	3ml	3ml	

* Parts Not Illustrated / ‡ Not Serviceable Separately / ◆ Alternate Part Number / A/R As Required

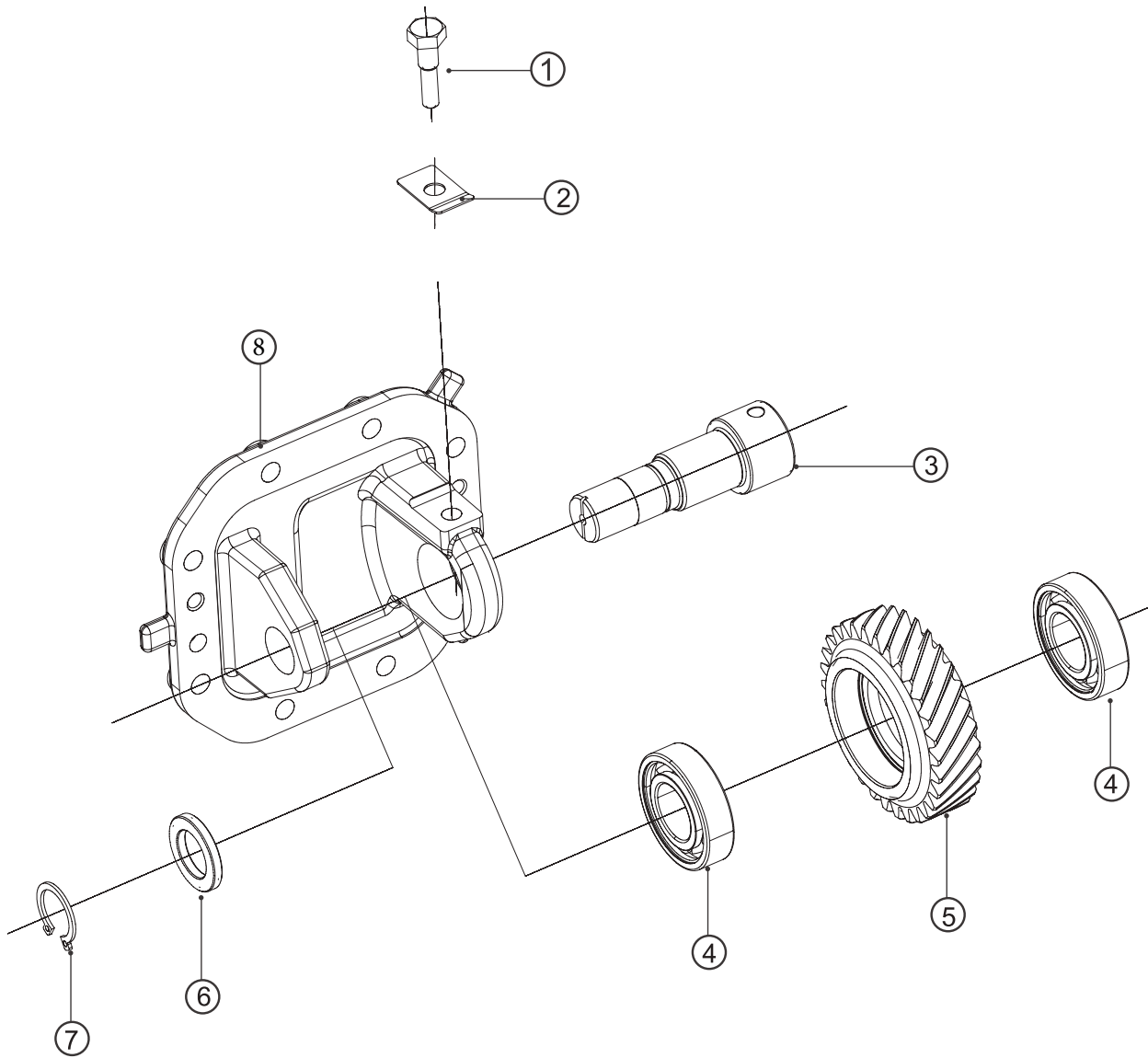
SPEED SHIFTING SUB ASSY



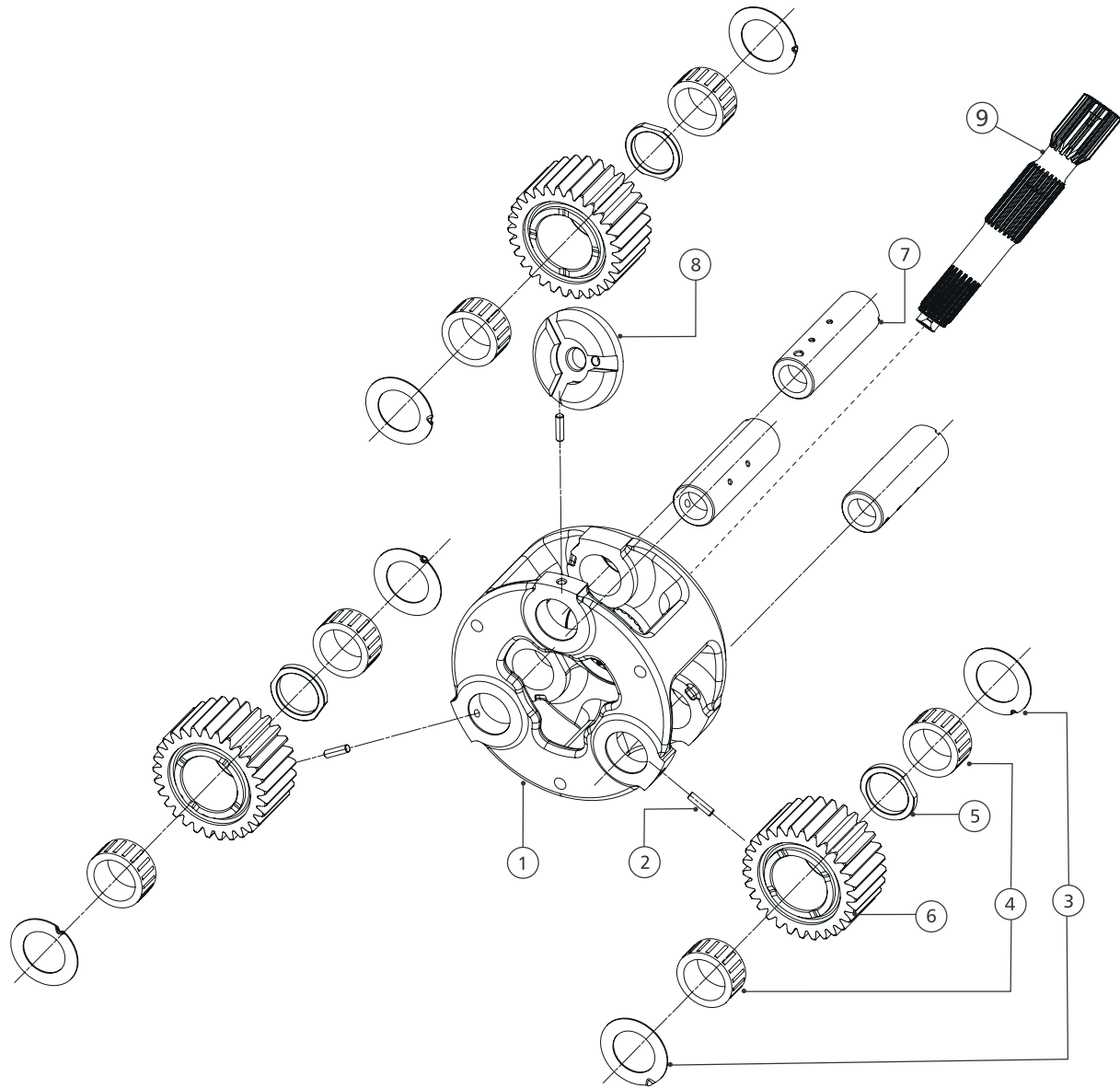
RANGE SHIFTING SUB ASSY



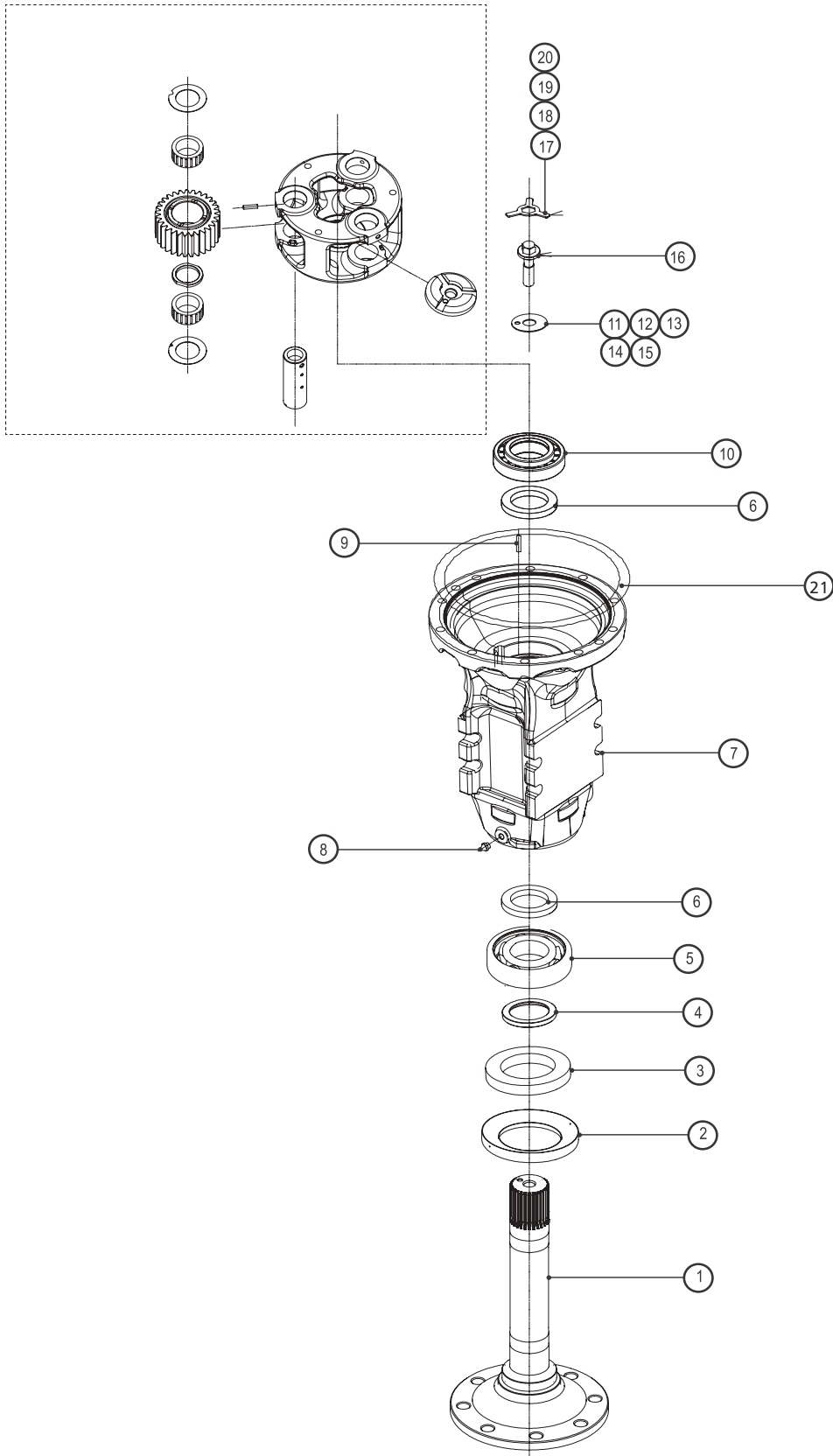
REVERSE IDLER SHAFT



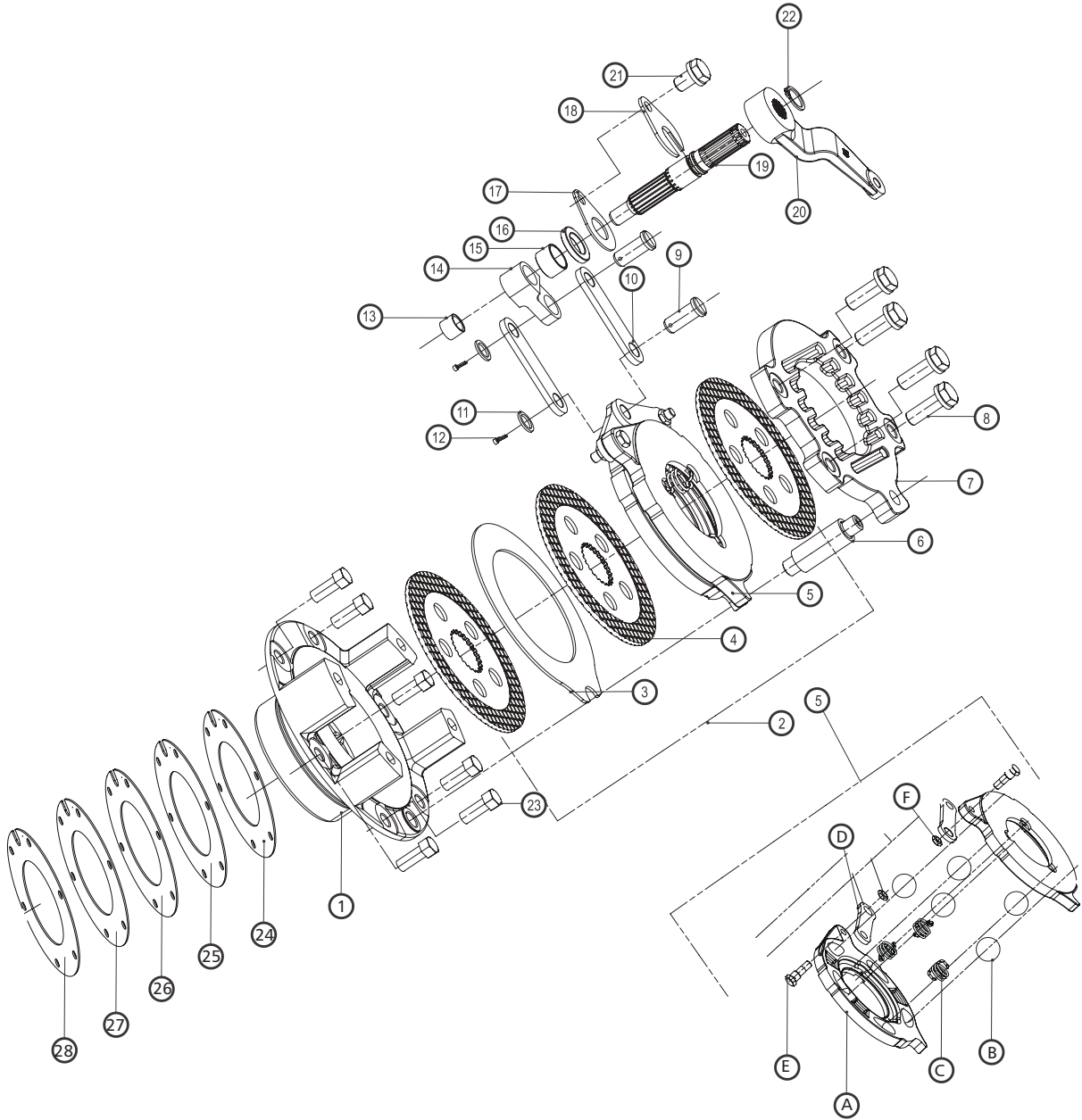
PLANETARY SUB ASSY



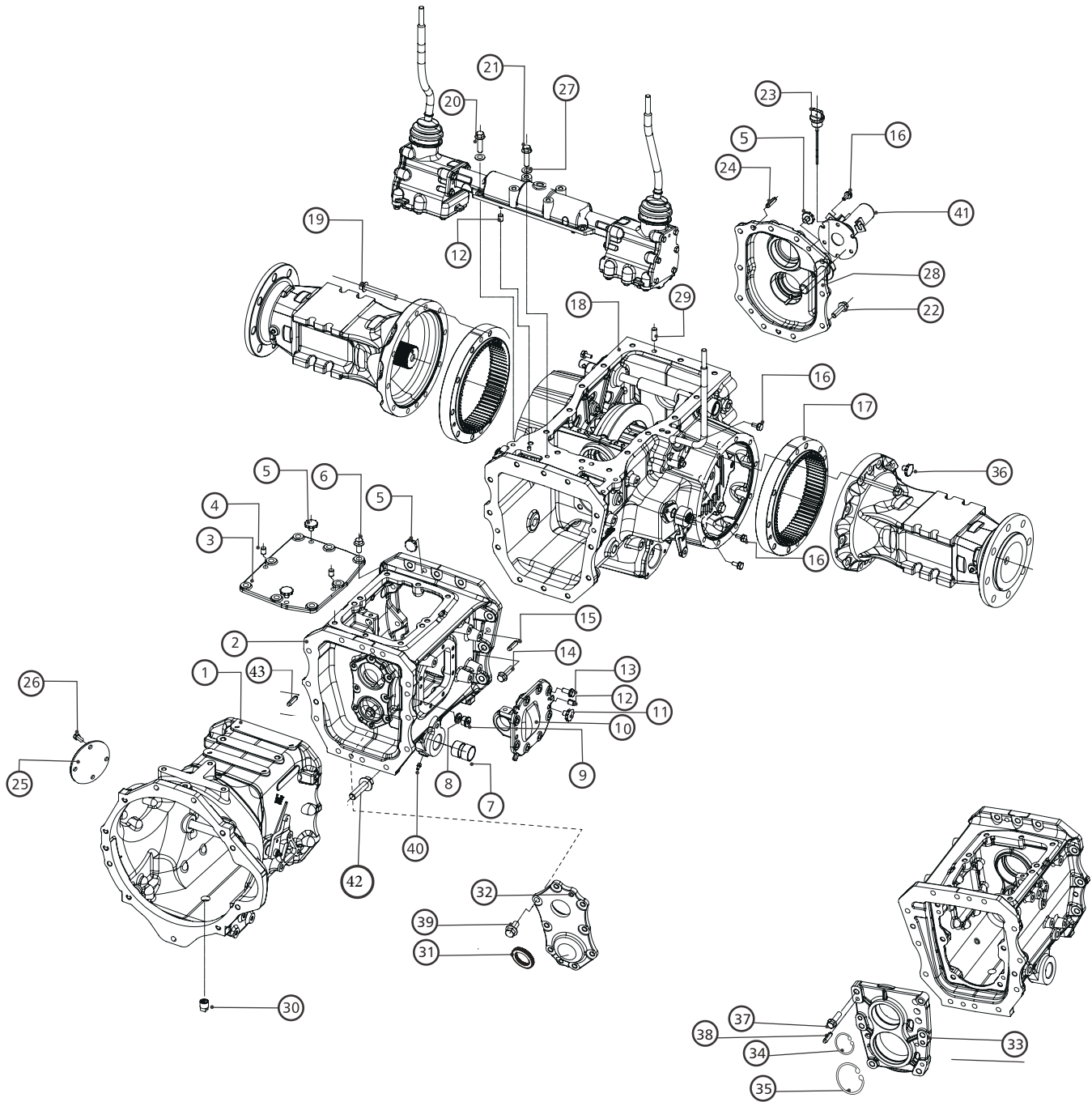
RAC SUB ASSY WITH PLANETARY



BRAKE ASSEMBLY



STRUCTURAL ASSY

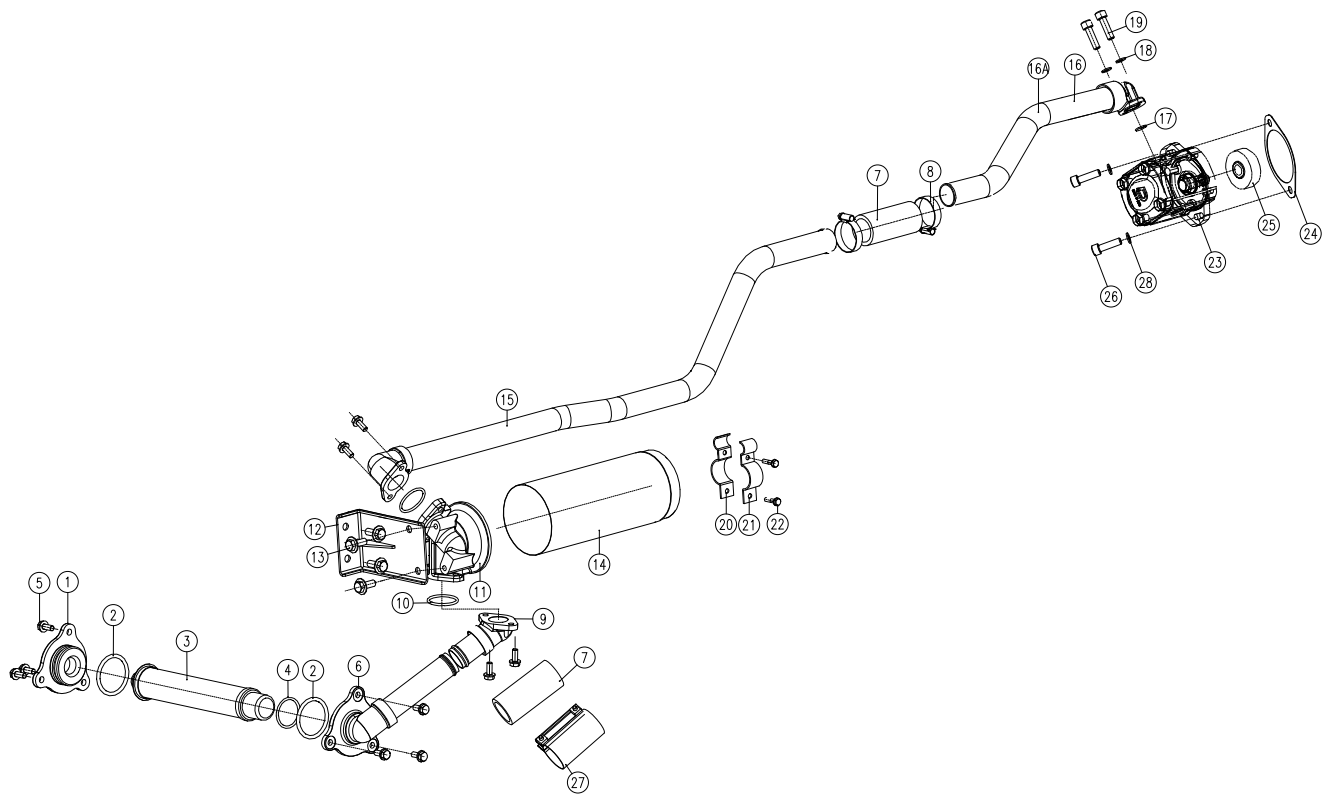


M&M Part Number	Ref.	Description of Part	Quantity		Remarks / Service Bulletin No.
			3DI	4DI	
006510367V1	1	HOUSING SINGLE CLUTCH	1	1	
006510487V1	2	SPEED HOUSING	1	1	
006510992V1	3	PLATE TOP SPEED HOUSING	1	1	
006512292V1	4	DOWEL PIN TOP PLATE SPEED HOUSING, DIA 12X17	2	2	
006513634V1	5	PLUG for M12 Hole+PTO housing+speed housing+Rear Housing	6	6	
000012506P04	6	HEX BOLT M 12 X 30	8	8	
006514376V1	7	BUSH SINTERED SPEED HOUSING	4	4	
E007204866D1	8	DOWTY WASHER M20 ,HYDRAULIC	1	1	
007206406C1	9	PLUG M20X1.5 ,HYDRAULIC	1	1	
006510433V1	10	BLOCK REVERSE IDLER	1	1	
006513635V1	11	PLUG FOR JUMPING BOLTS M10	2	2	
000020281E05	12	PIN DOWEL 8.015X18.000 SPEED HOUSING TO REVERSE IDLER + SHIFTER TOP HSG	4	4	
000020313E05	13	FLANGED BOLT M10X25,SPEED HOUSING TO REVERSE IDLER HOUSING	8	8	
000013898P04	14	FLANGE BOLT M12X40,REAR HOUSING TO SPEED HOUSING	12	12	
006512401V1	15	DOWEL PIN DIA 12X40,REAR HOUSING TO SPEED HOUSING	2	2	
000020308E05	16	BOLT HEXFL M8X1.25X17.5X8.8 REAR HOUSING+PTO SHIFTER LEVER PLATE+DIFFLOCK PLATE+PTO HOUSING TO PROTECTION COVER AND OIL SEAL MTG BKT	9	9	
006510498V1	17	INTERNAL GEAR-73T	2	2	
006510430V1	18	REAR HOUSING	1	1	
006506440D1	19	BOLT HEXFL M12X1.75X82X10.9 ,REAR HOUSING+RAC+RING GEAR	20	20	
000012248P04	20	BOLT HEX M10X30,REAR HOUSING TO SHIFTER MAIN TOP HOUSING	4	4	
005553022R1	21	BOLT HEX M10X75,REAR HOUSING TO SHIFTER MAIN TOP HOUSING	4	4	
000013898P04	22	FLANGE BOLT M12X40 REAR HOUSING TO PTO HOUSING	10	10	
006510692V1	23	DIPSTICK	1	1	
000016182P04	24	DOWEL PIN REAR HOUSING TO PTO HOUSING	2	2	
006510694V1	25	COVER PLATE CLUTCH HOUSING	1	1	
000020324E05	26	WINDOW PLATE MOUNTING BOLT	4	4	
005555988R1	27	SPRING WASHER M10,REAR HOUSING TO SHIFTER MAIN TOP HOUSING	8	8	
006510469V1	28	PTO HOUSING SINGLE SPEED	1	1	
007208068C1	29	PIN DOWEL DIA 12X45 REAR HOUSING TO VTU HOUSING	2	2	
005556422R2	30	PLUG MAGNATIC DRAIN 1/2-14 NPTF,REAR HOUSING+SPEED HOUSING+CLUTCH HOUSING	5	5	
006511671V1	31	OIL SEAL FOR FRONT MAIN DRIVE SHAFT	1	1	
006510905V1	32	RETAINER FRONT-SPEED HOUSING	1	1	
006510533V1	33	PLATE INTERMEDIATE	1	1	
006505629D1	34	CIRCLIP INTERNAL DIA.80 HEAVY SERIES	1	1	
000012164P04	35	CIRCLIP INTERNAL DIA.100 HEAVY SERIES	1	1	
006513636V1	36	PLASTIC PLUG	4	4	
000013900P04	37	FLANGE BOLTM12 X 45	6	6	
006512402V1	38	DOWEL PLATE INTERMEDIATE	2	2	
000022271RD	39	BOLT M8 X 22	8	8	
000012871P04	40	GREASE NIPPLE	2	2	
006512393V11	41	CAP PTO SAFETY	1	1	

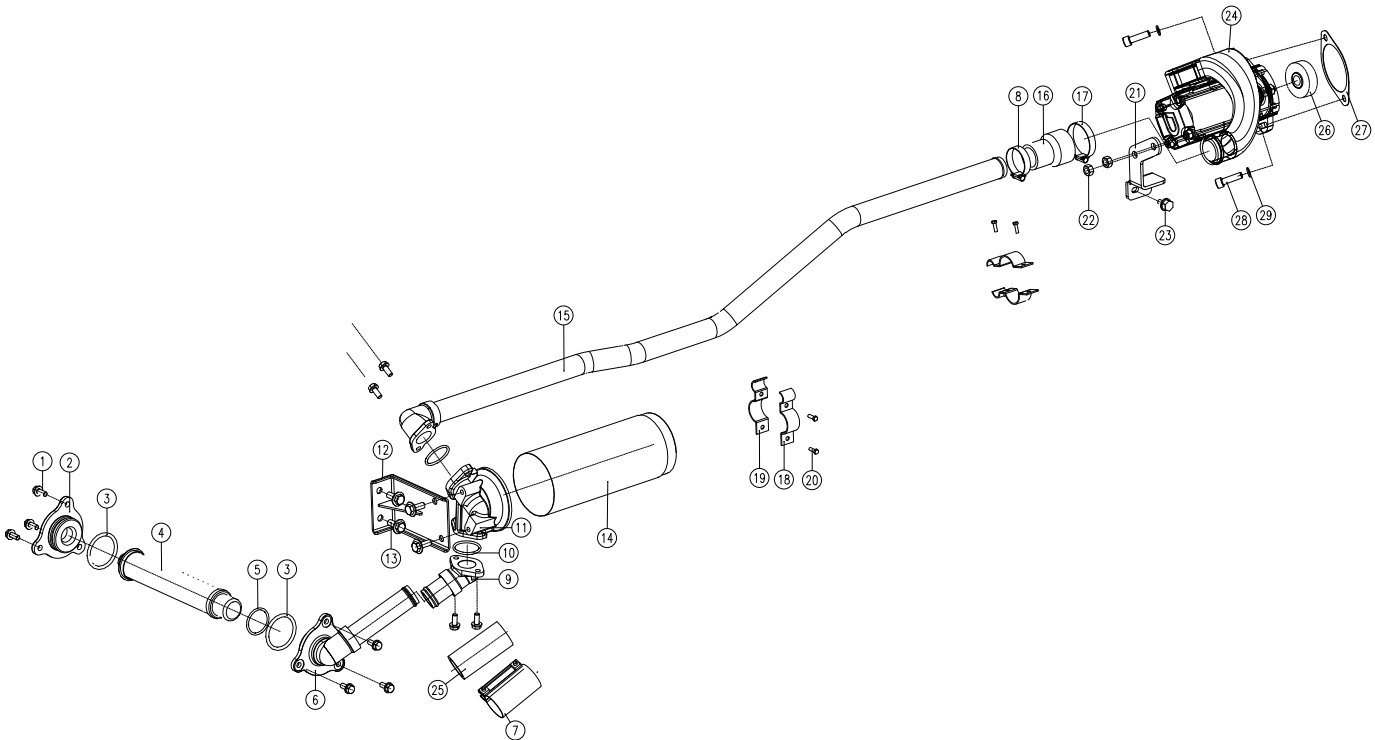
* Parts Not Illustrated / ‡ Not Serviceable Separately / ◆ Alternate Part Number / A/R As Required

HYDRAULICS

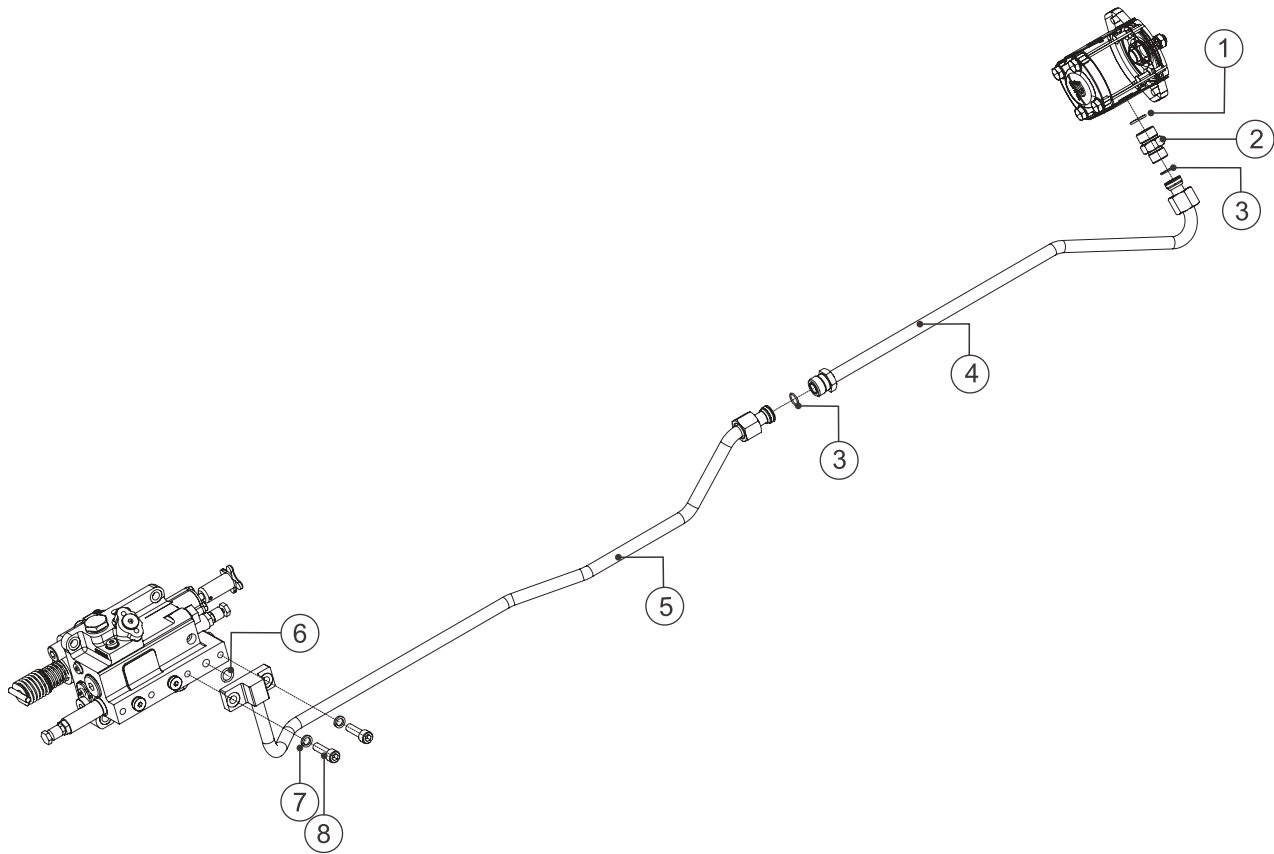
SUCTION PIPE ASSEMBLY - MECHANICAL



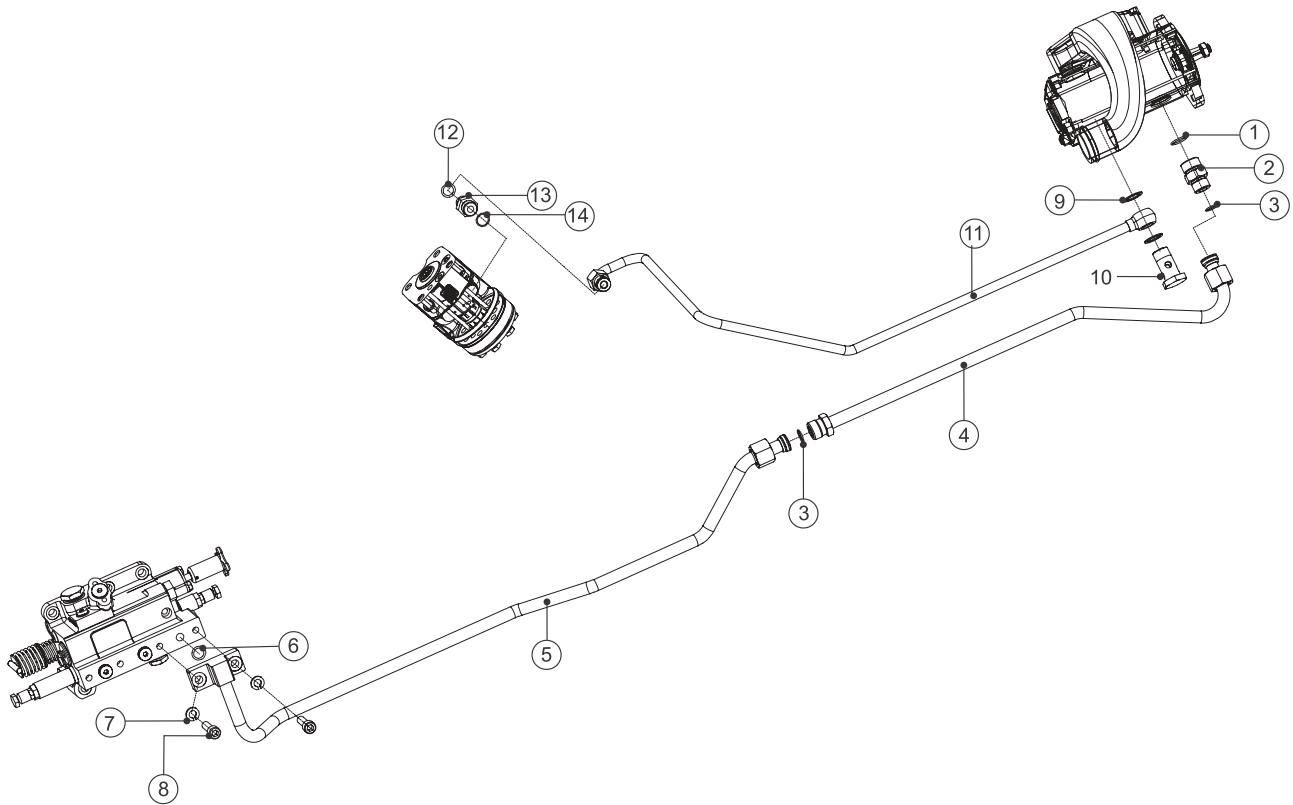
SUCTION PIPE ASSEMBLY - POWER STEERING



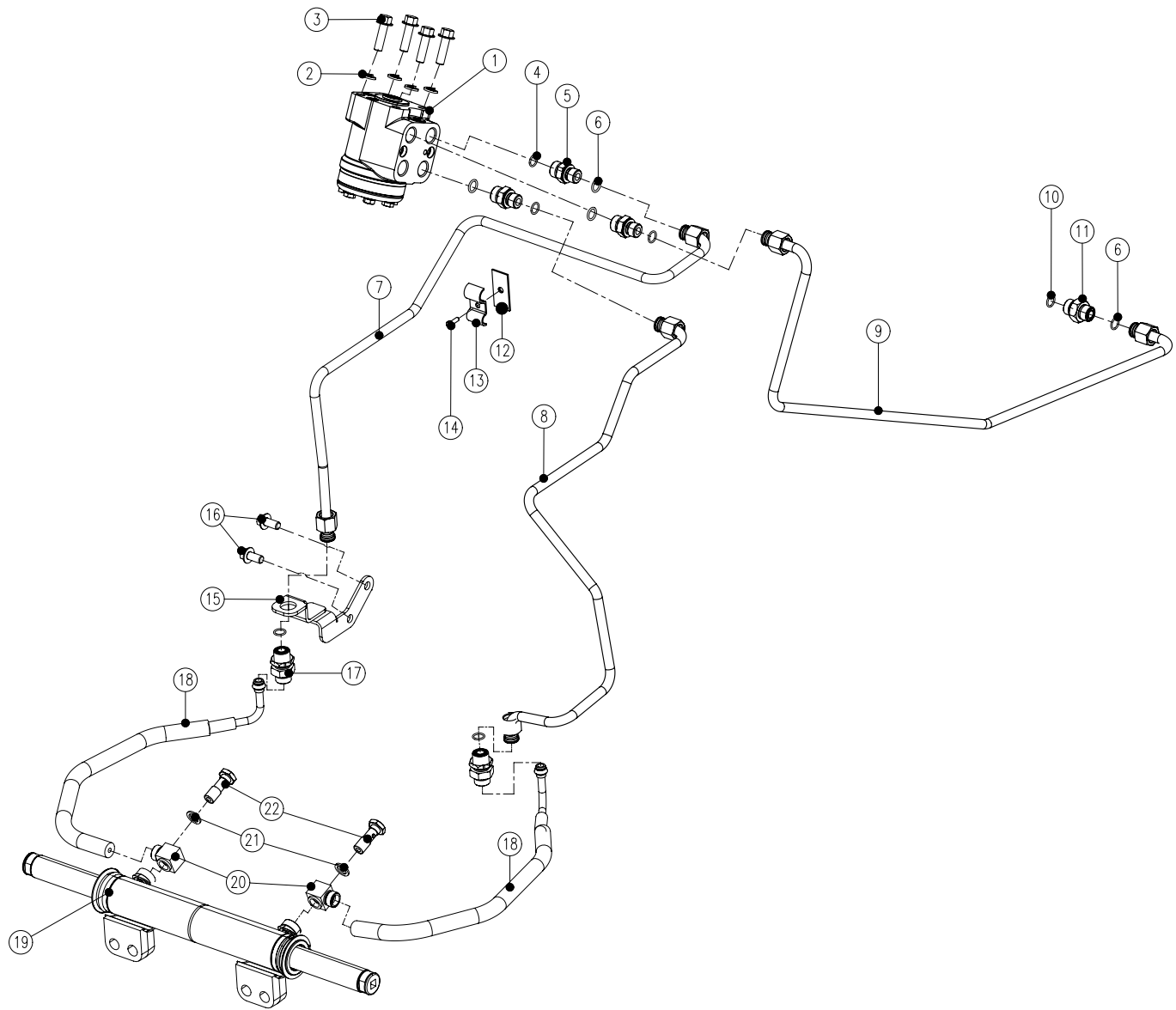
PRESSURE PIPE ASSEMBLY - MECHANICAL



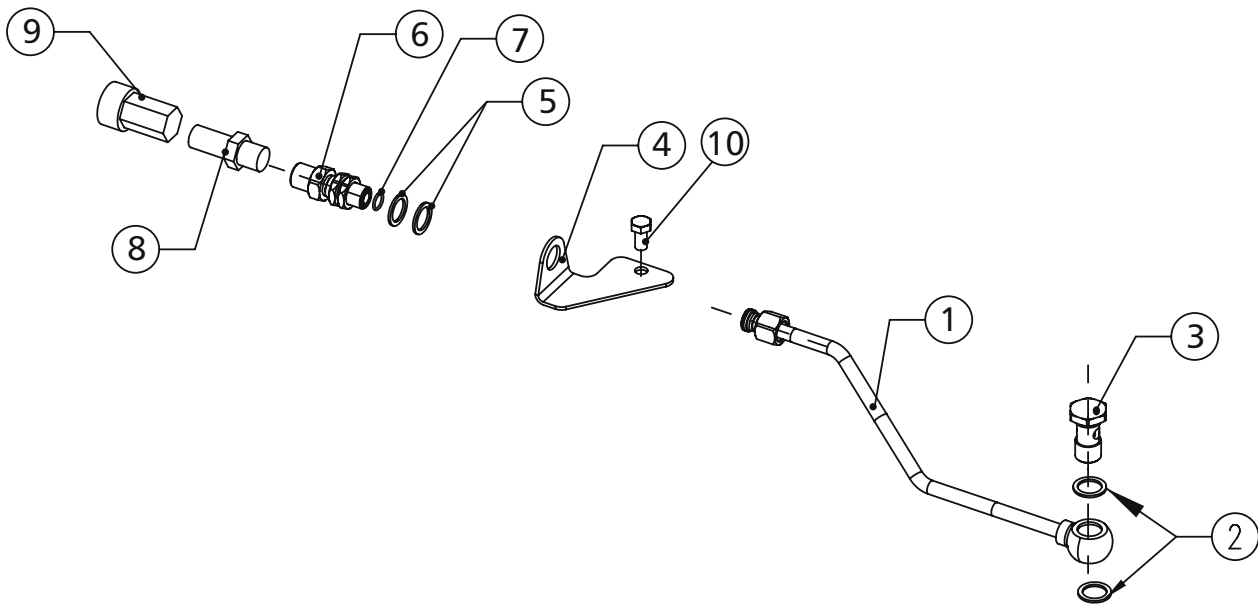
PRESSURE PIPE ASSEMBLY - POWER STEERING



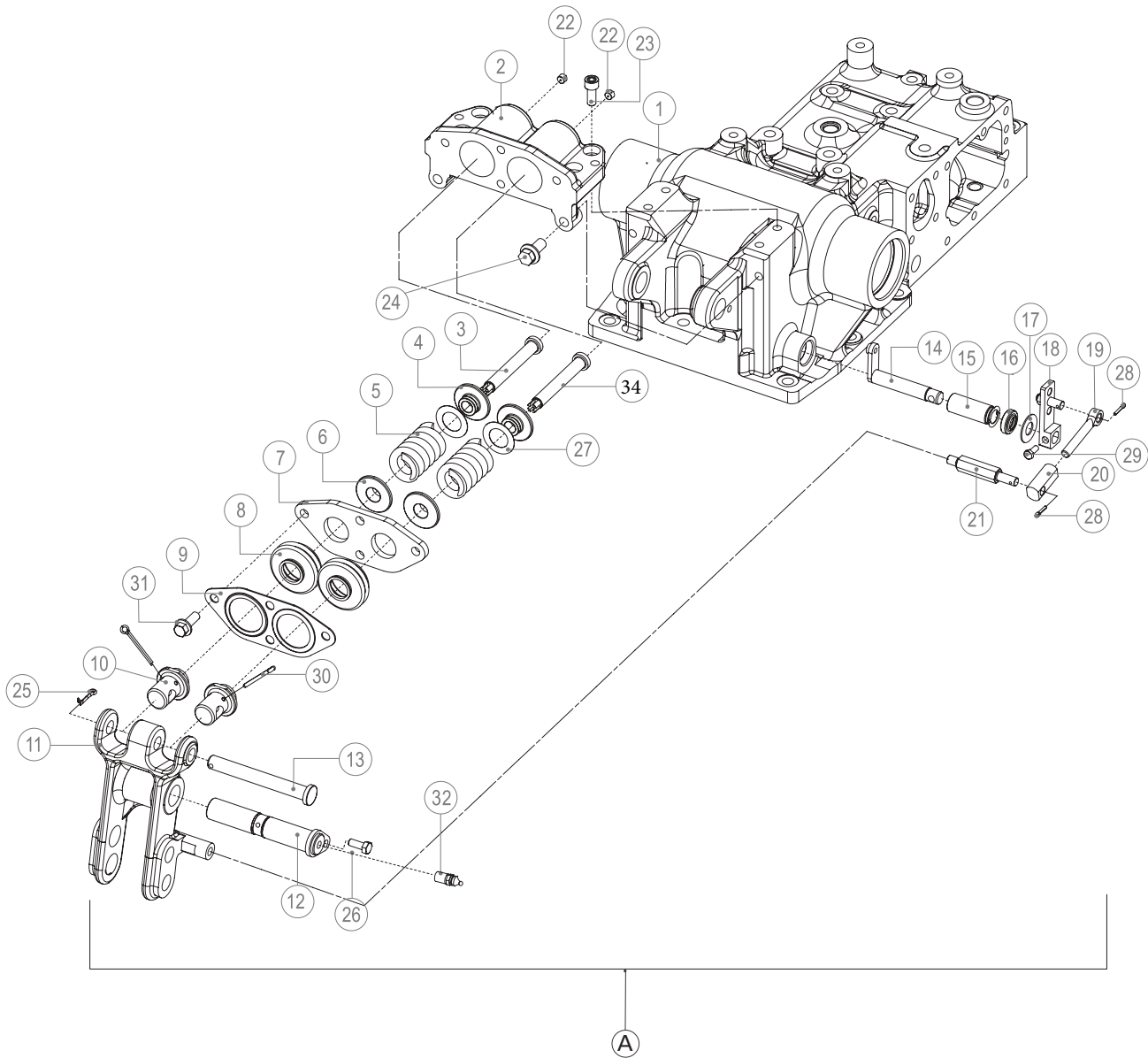
PIPE ROOTING ASSEMBLY - POWER STEERING



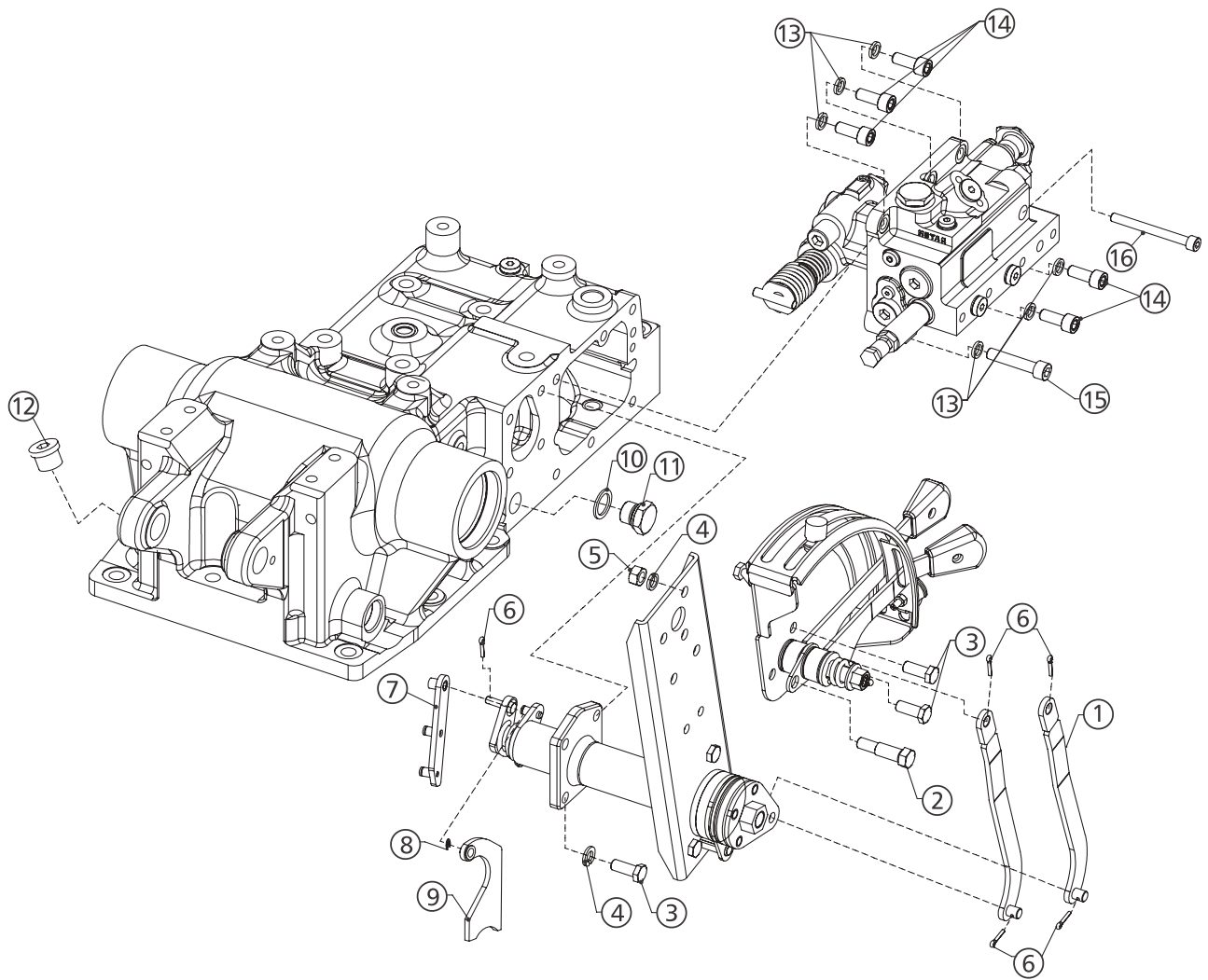
TIPPING TRAILOR



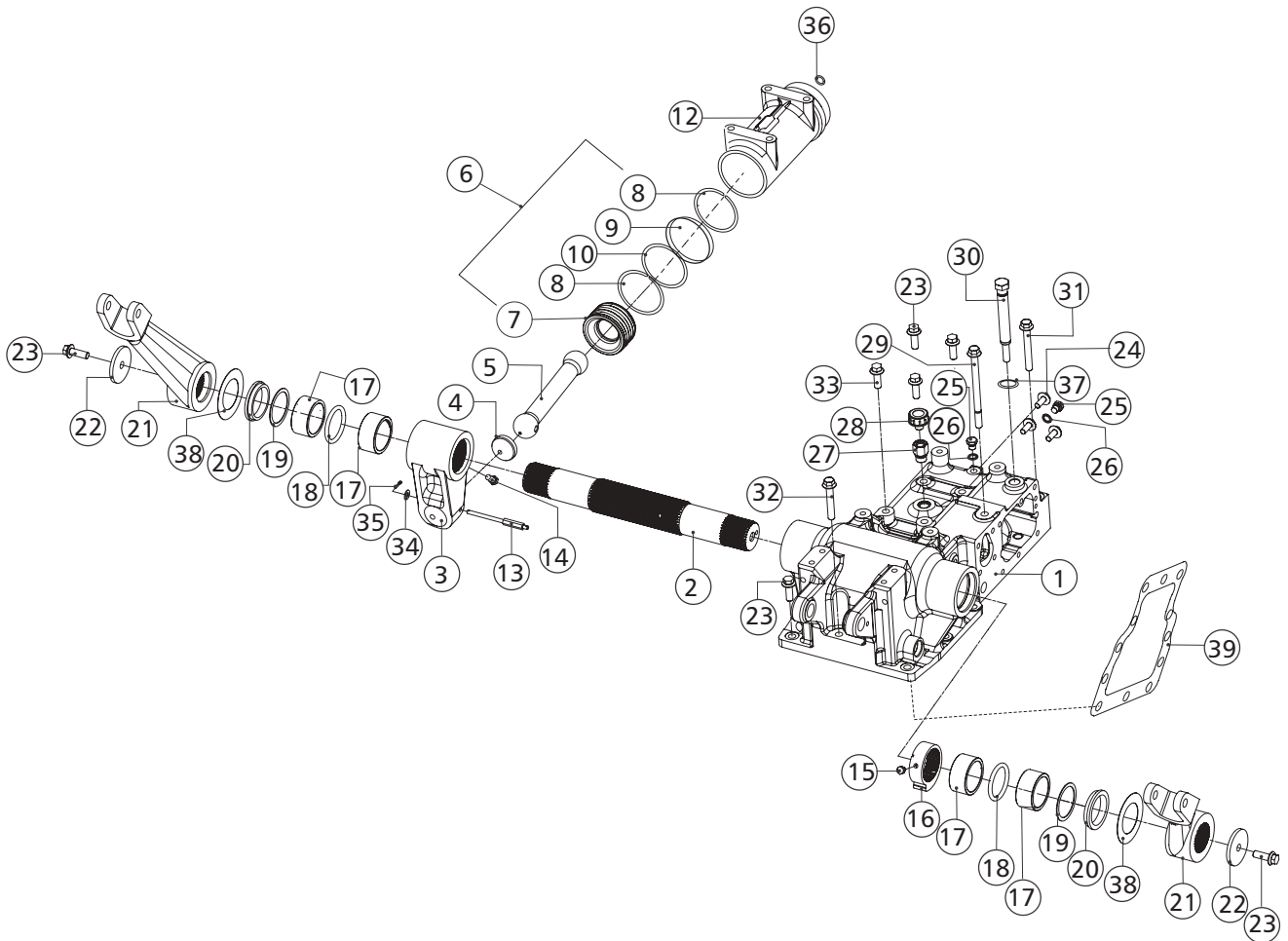
DRAFT SENSING ON LIFT ASSY



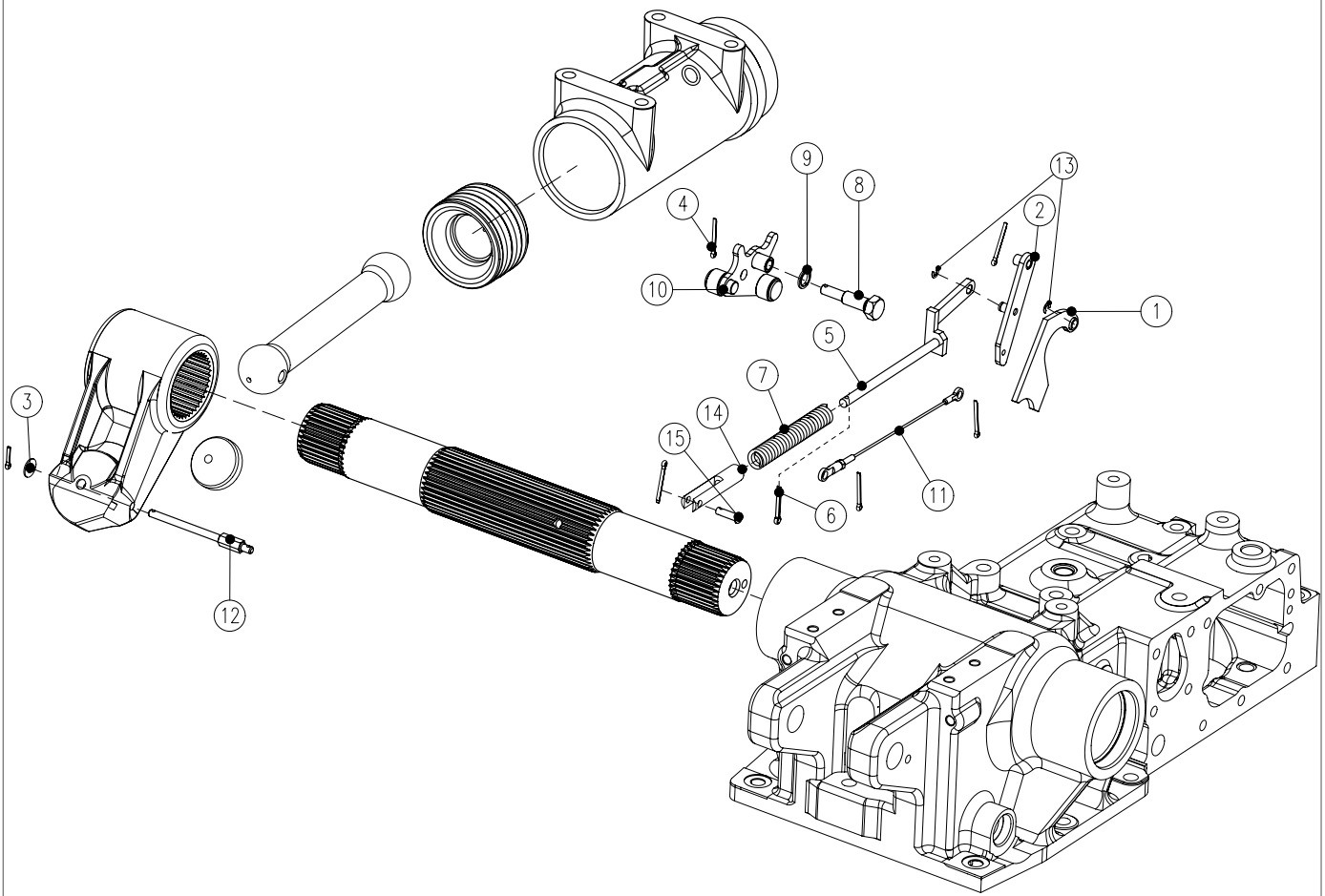
QUADRANT & CONTROLVALVE ASSY ON LIFT ASSY



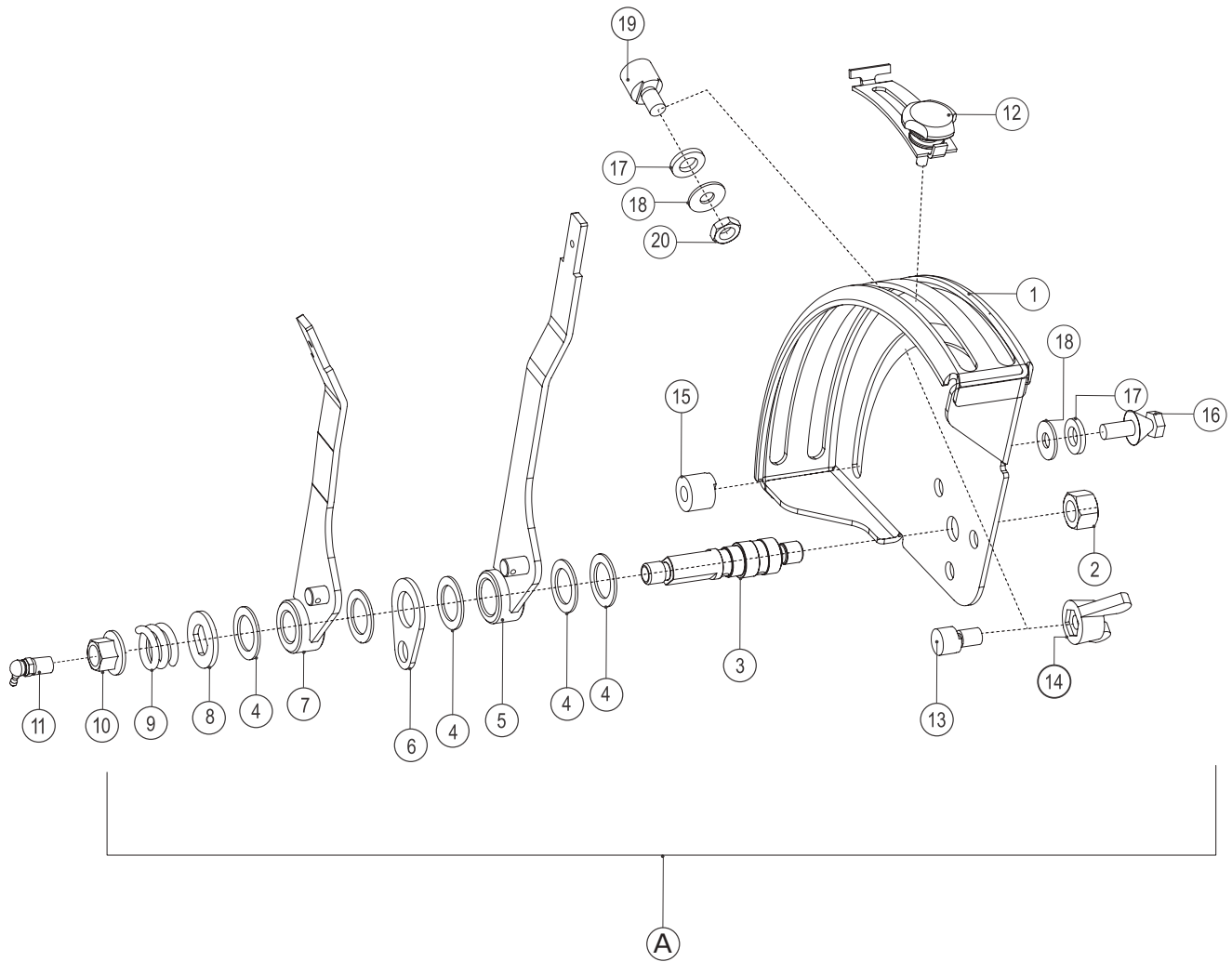
POWER TRAIN



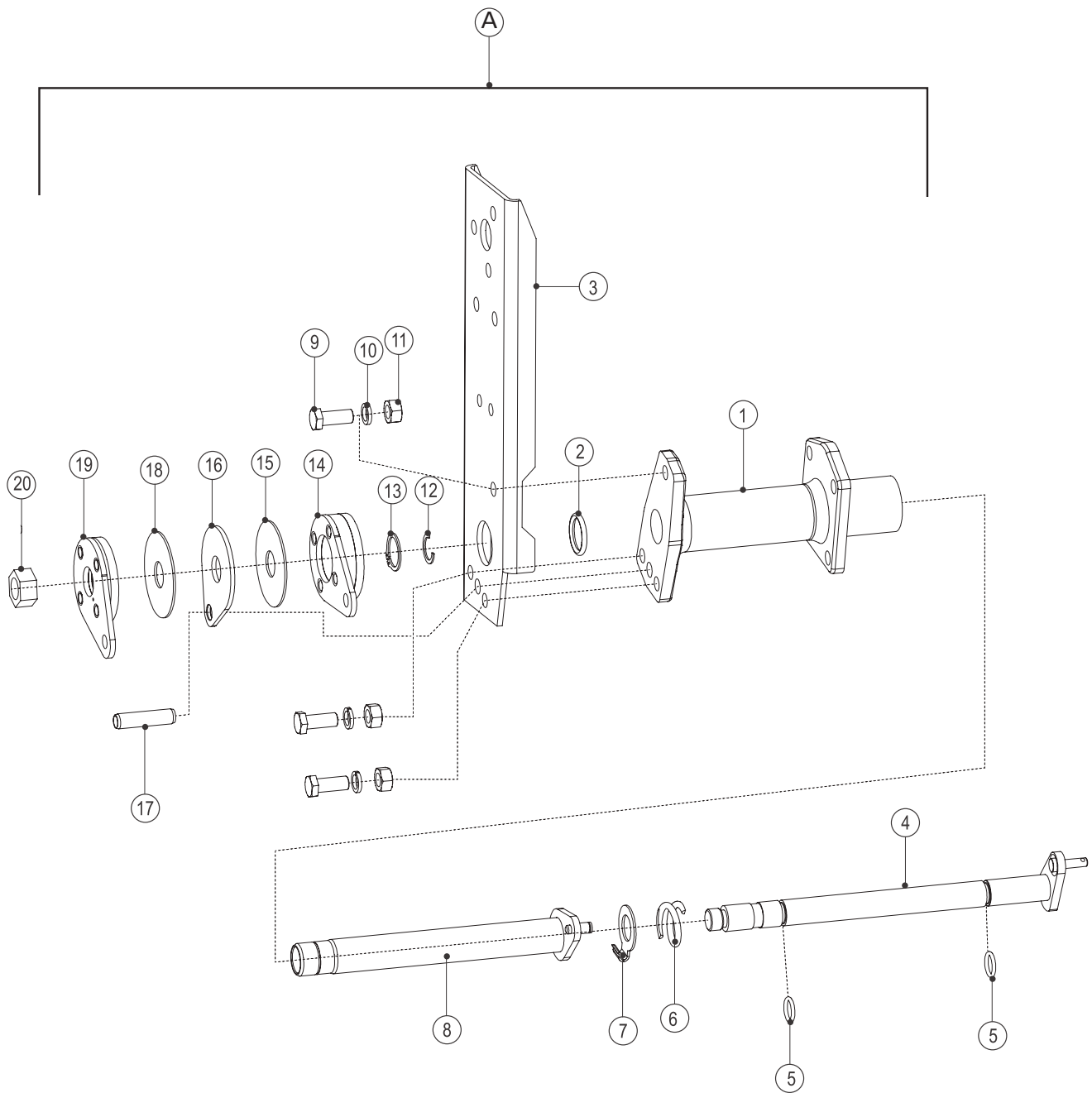
LIFT ARM ASSEMBLY



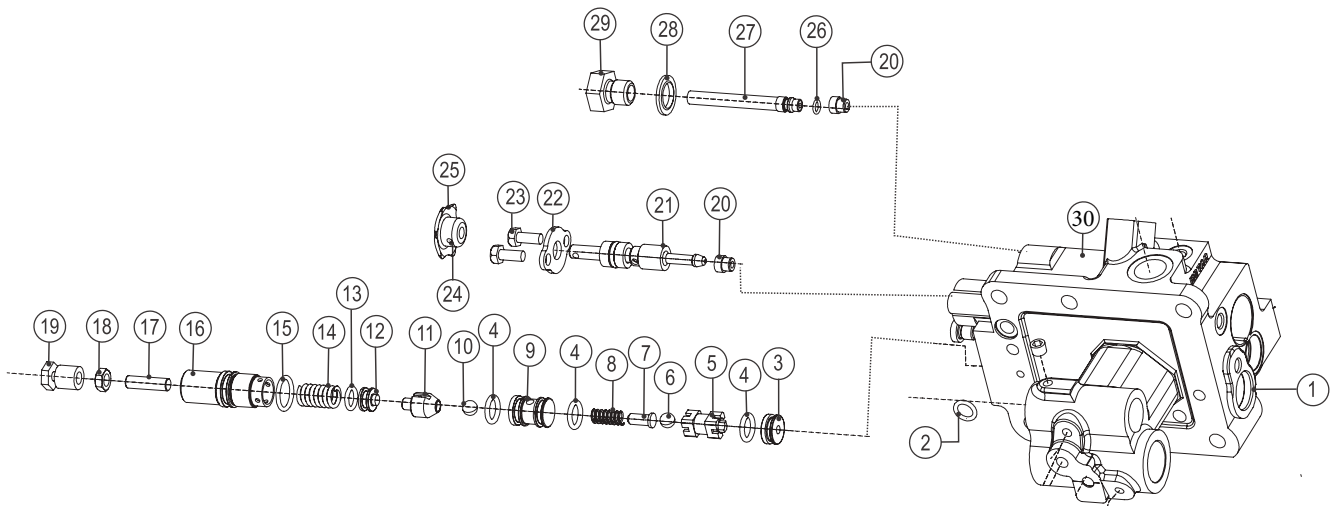
QUADRANT ASSEMBLY UPPER



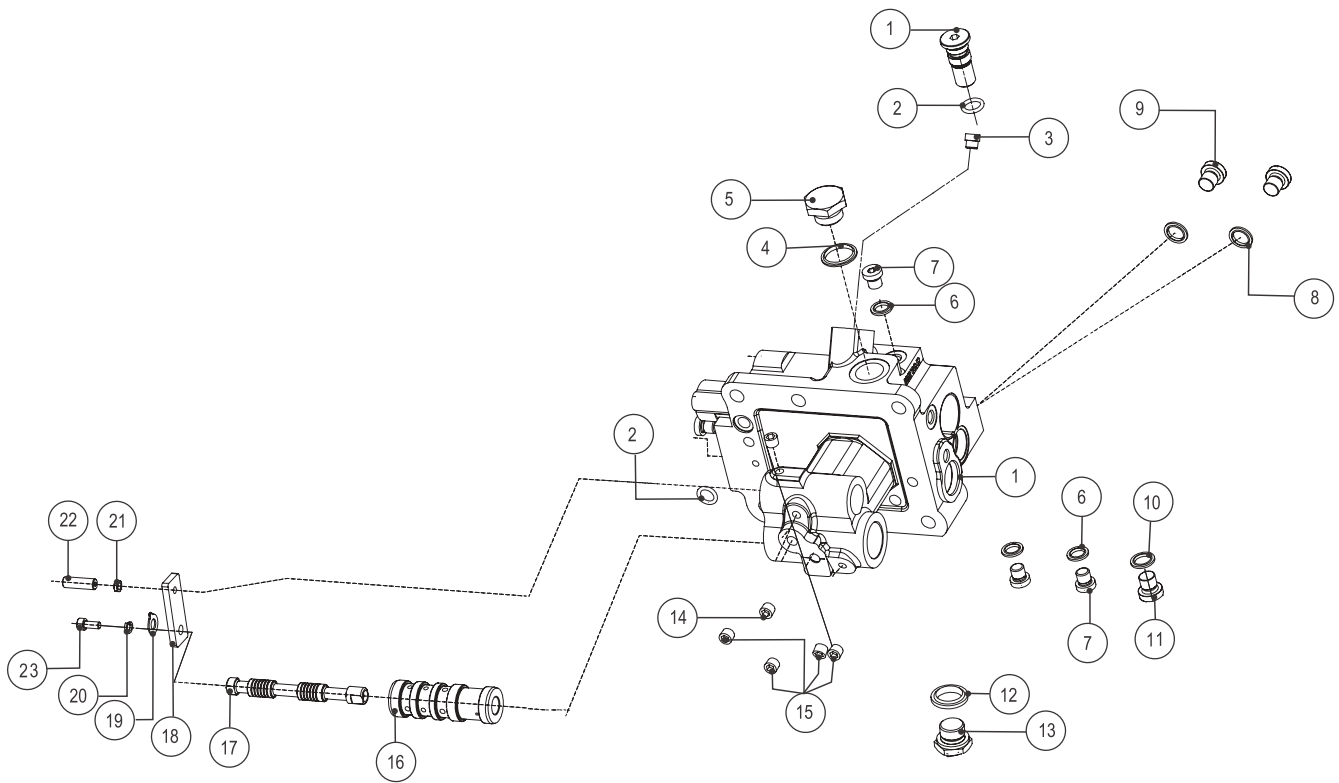
QUADRANT ASSEMBLY LOWER



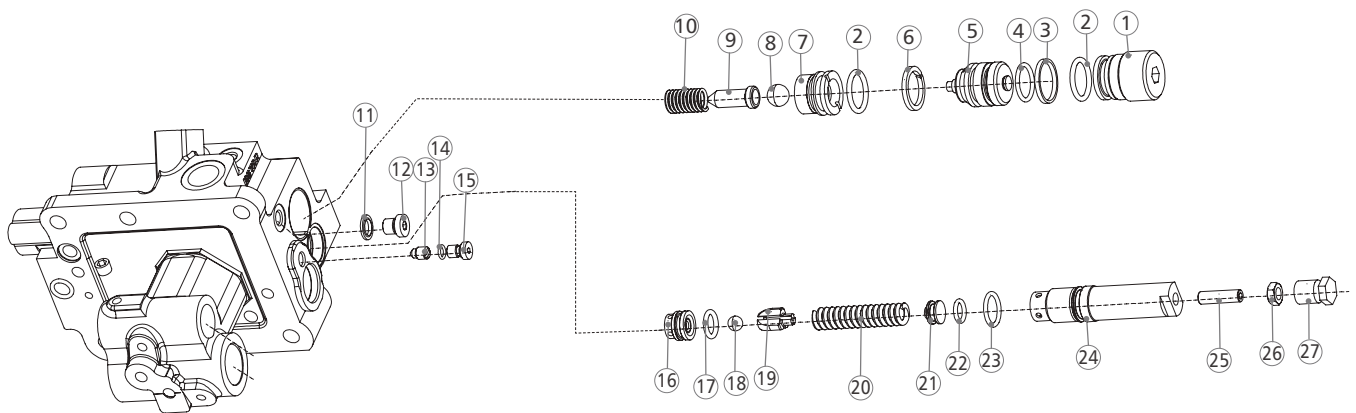
CONTROL VALVE ASSEMBLY



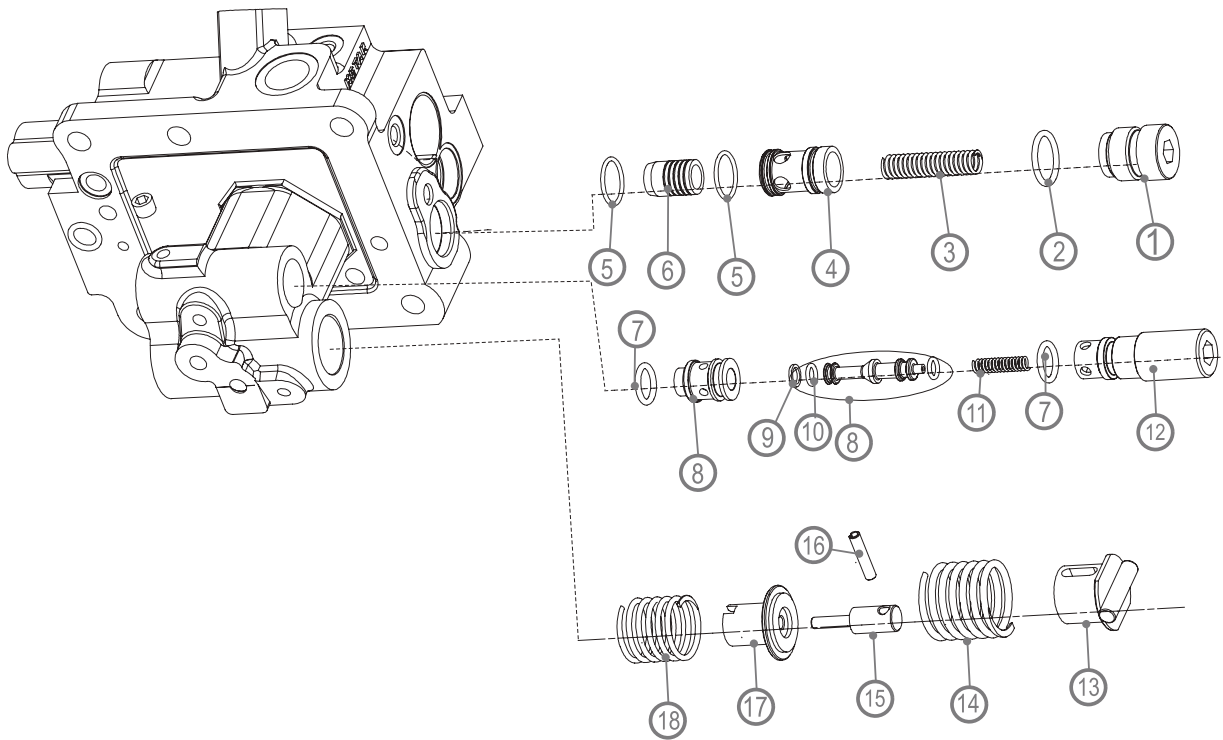
CONTROL VALVE ASSEMBLY



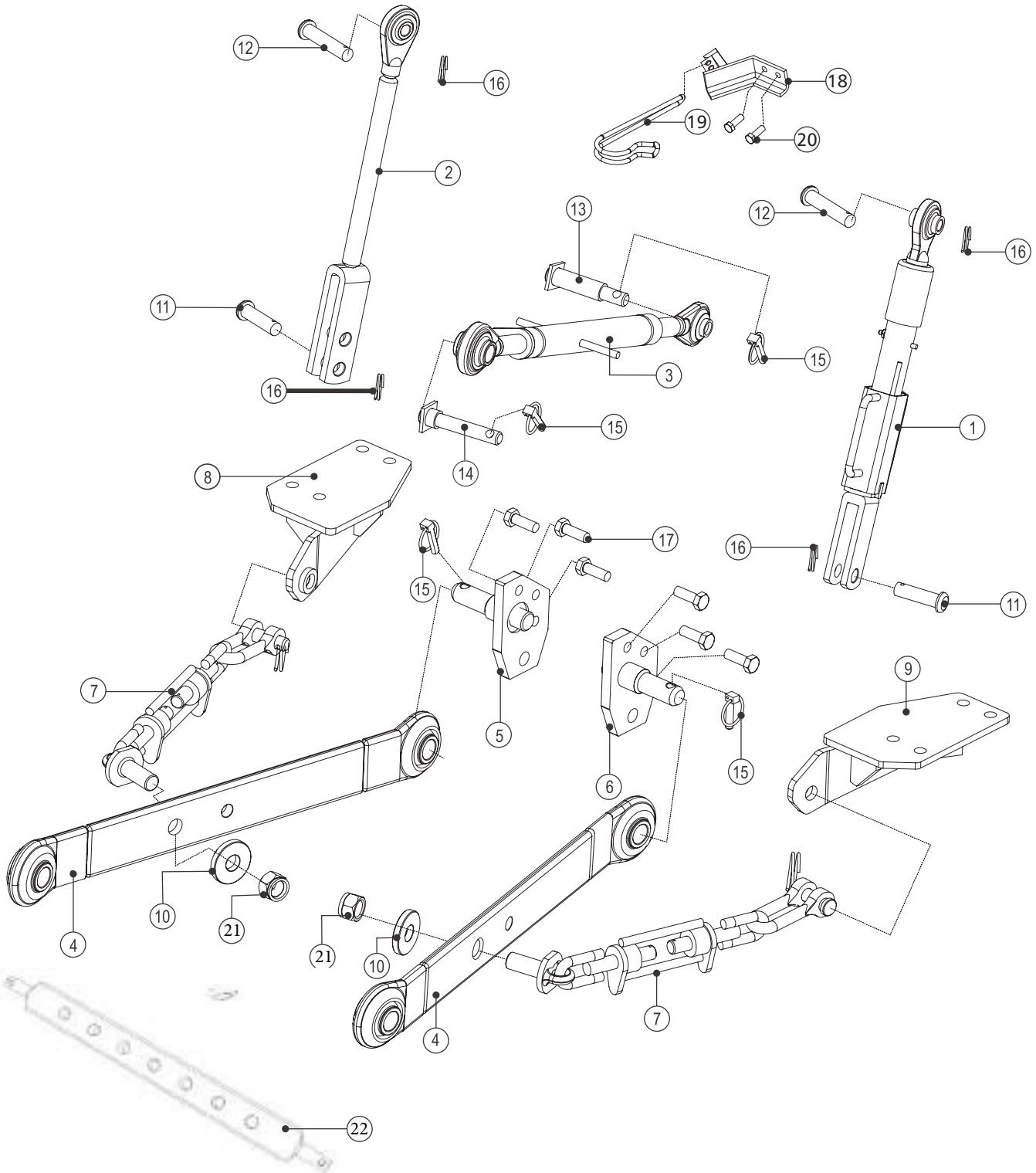
CONTROL VALVE ASSEMBLY



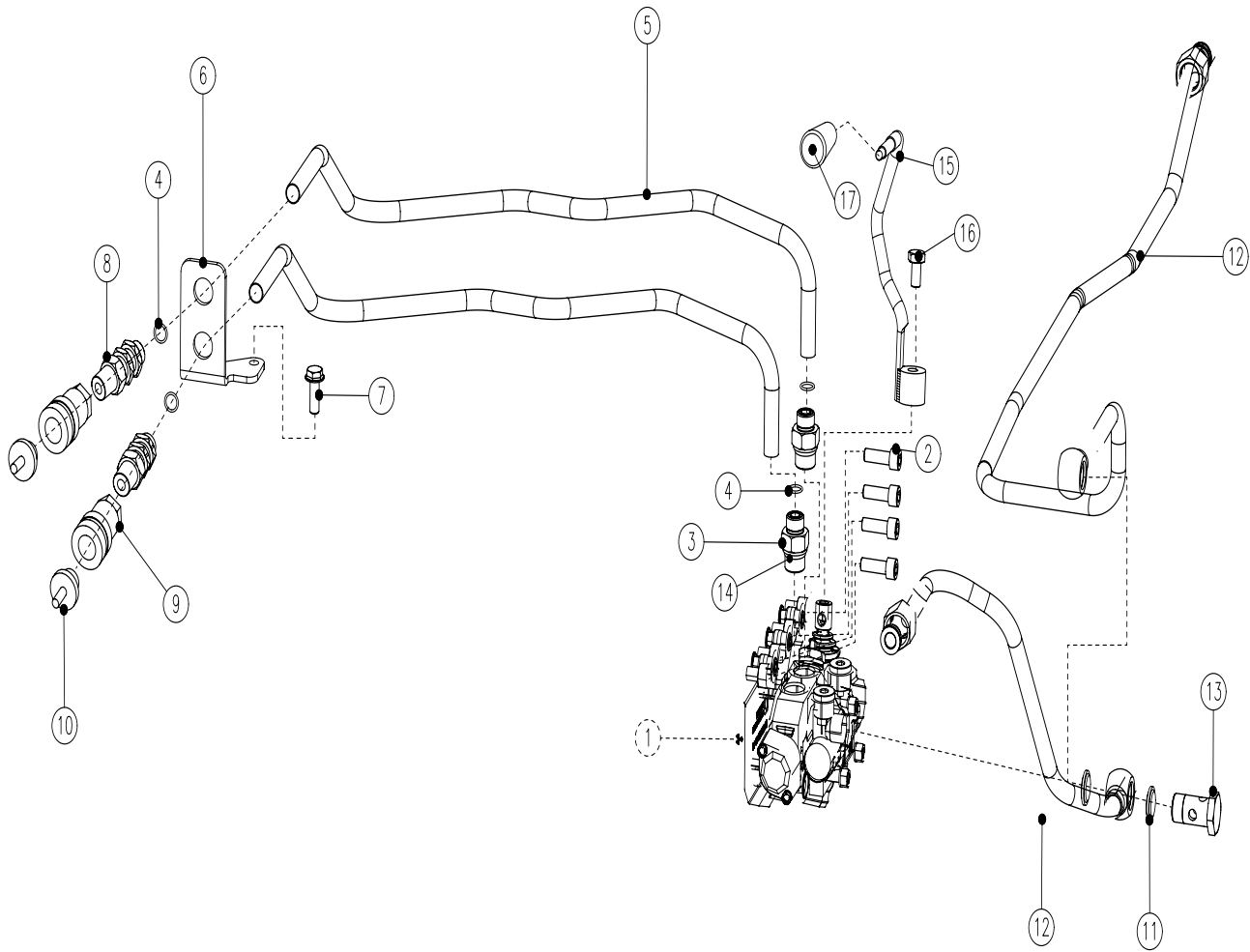
CONTROL VALVE ASSEMBLY



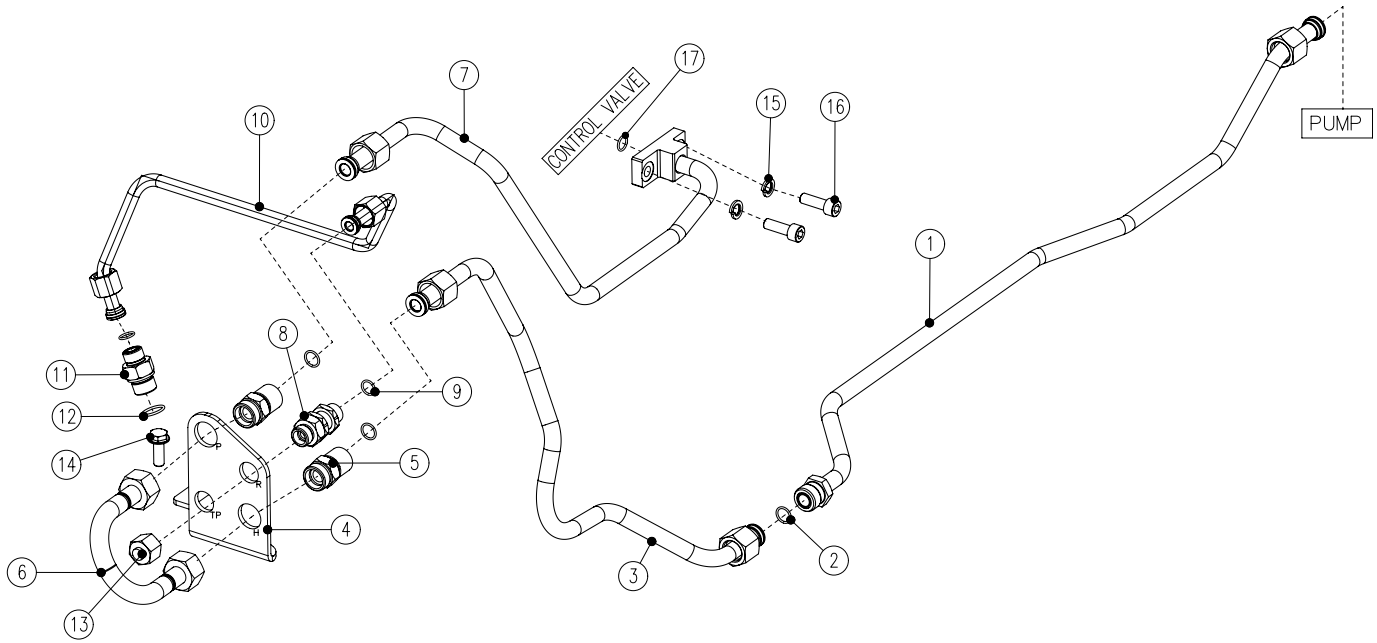
THREE POINT LINKAGES



SINGLE SPOOL AUX VALVE ASSEMBLY

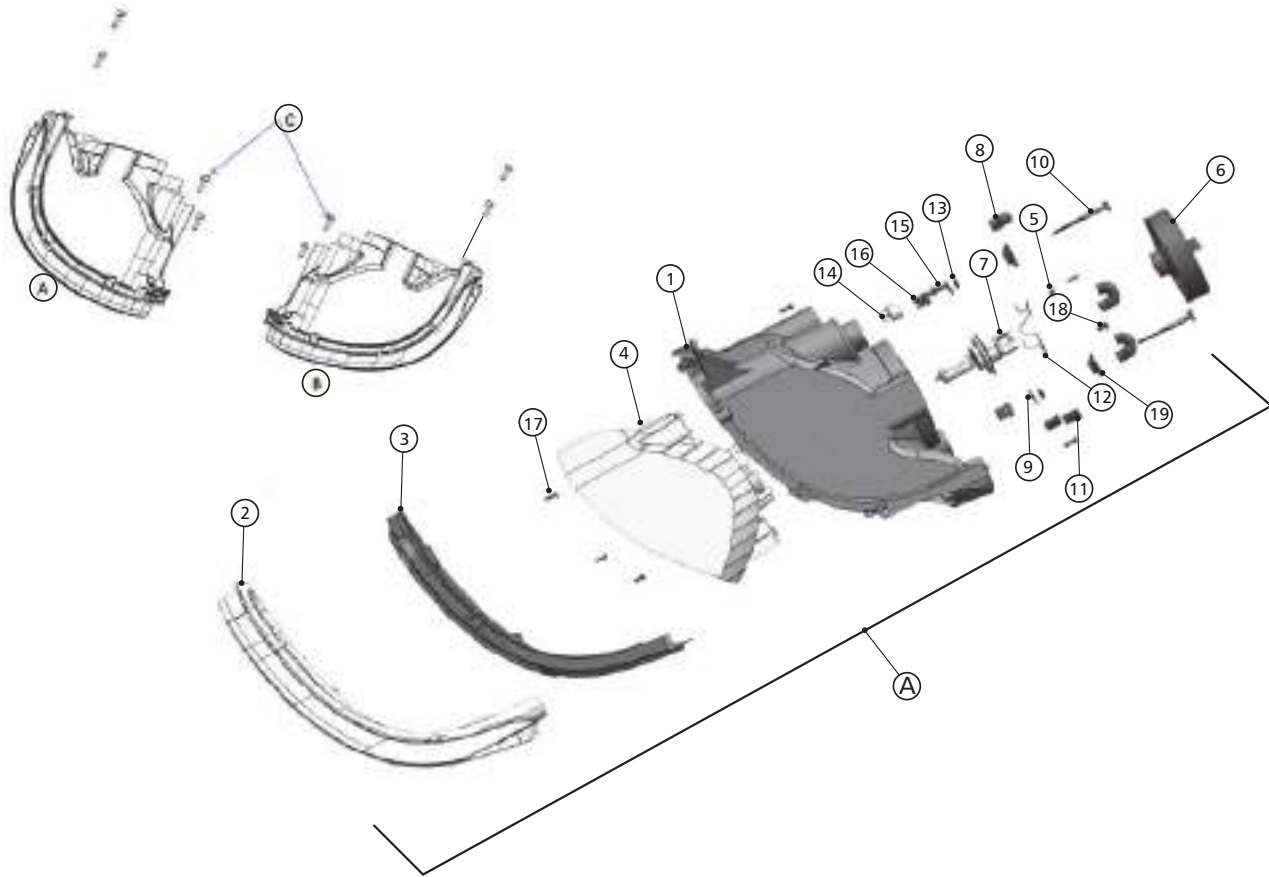


TRAILER BRAKE PIPE ASSEMBLY

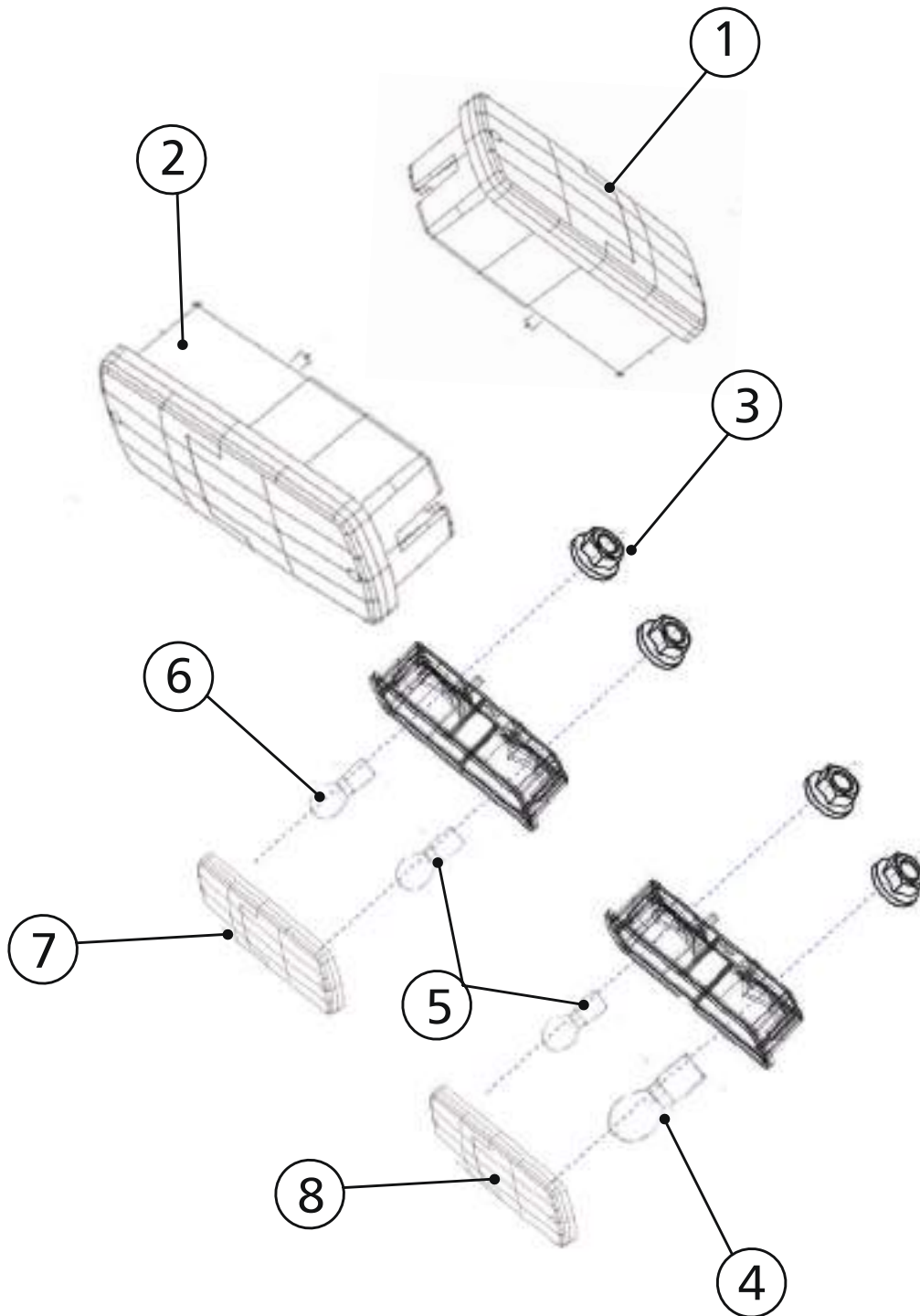


ELECTRICAL

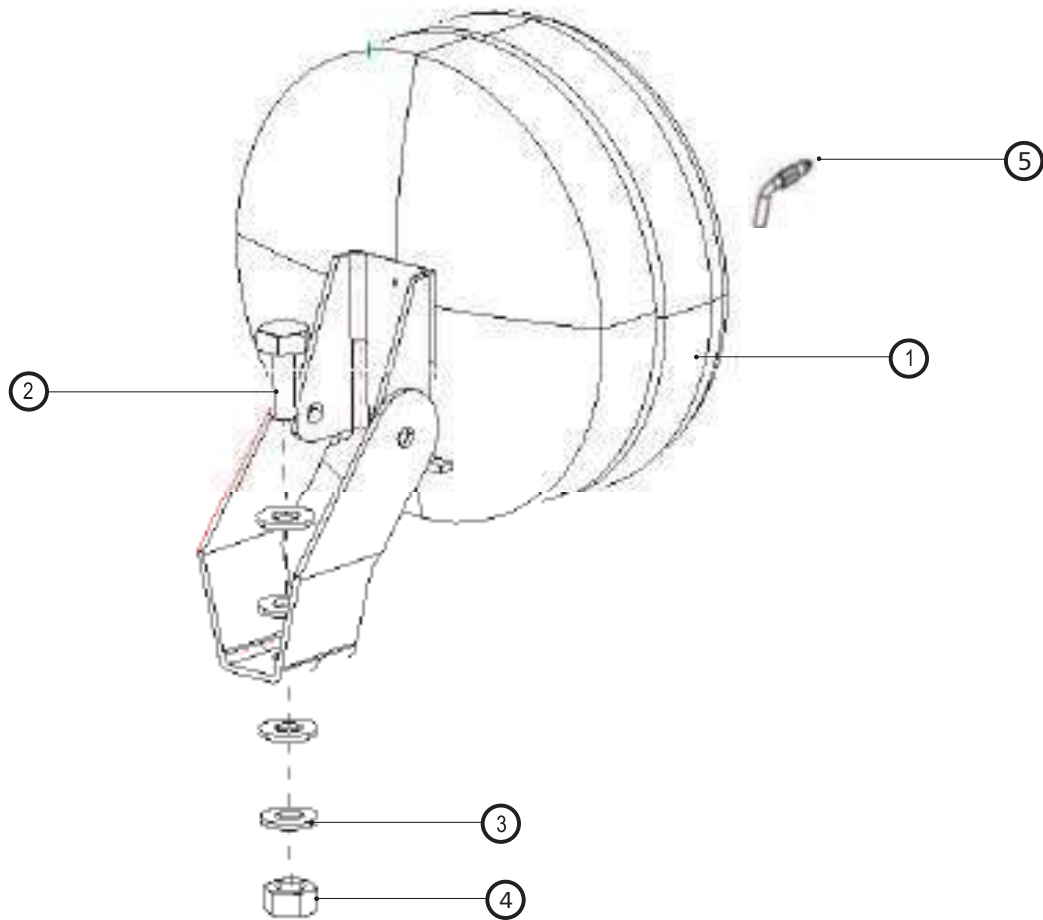
HEAD LAMP



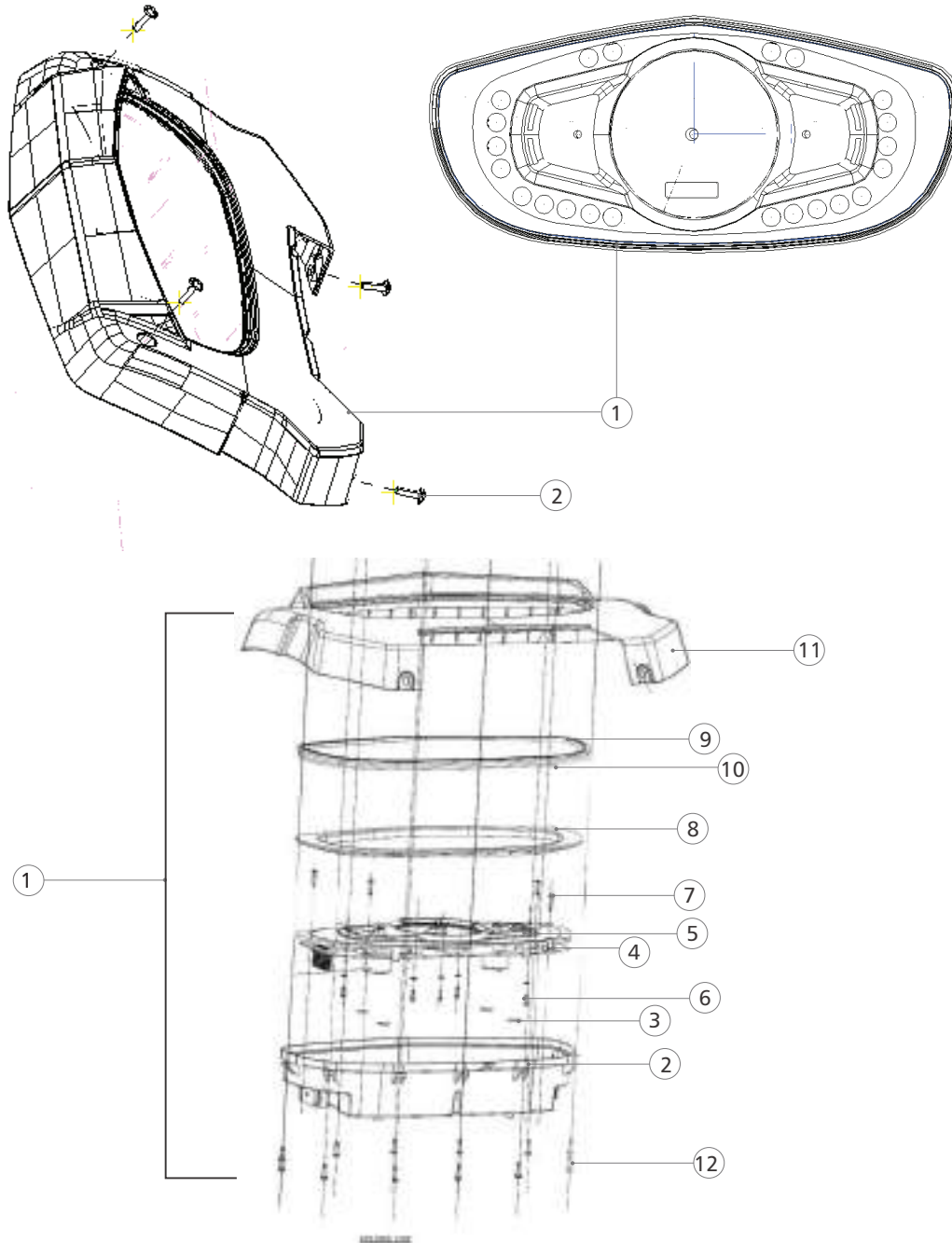
P&T LAMP AND COMBINATION LAMP



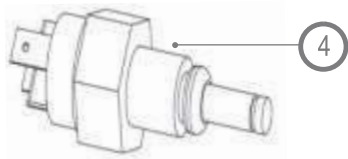
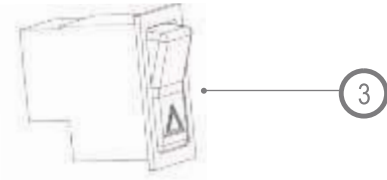
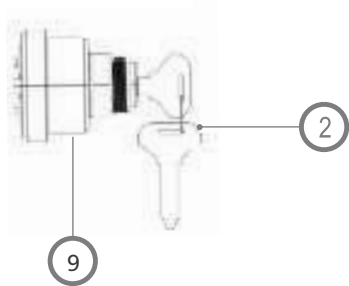
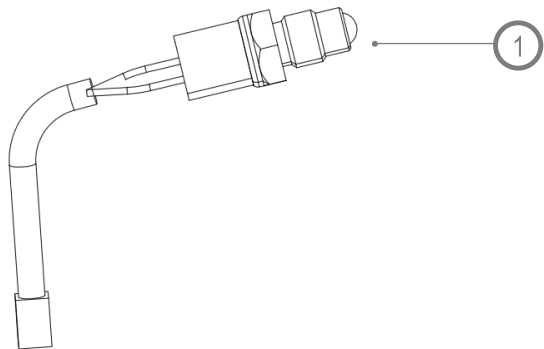
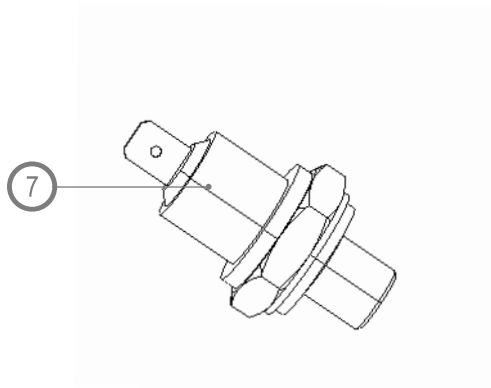
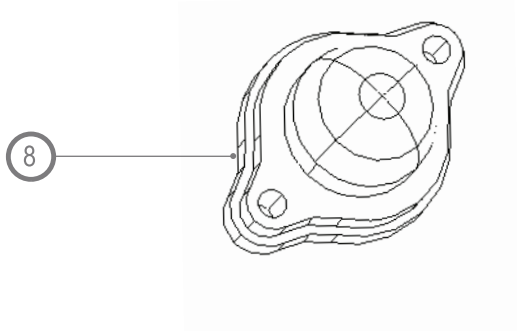
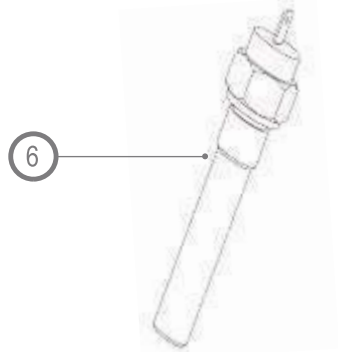
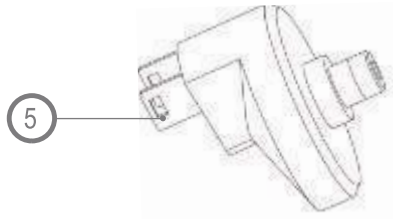
PLOUGH LAMP



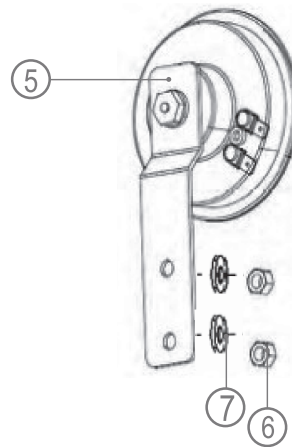
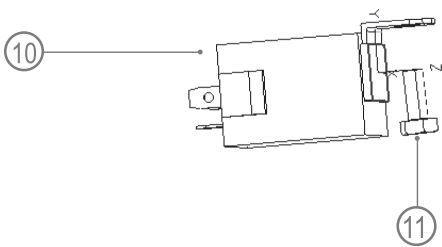
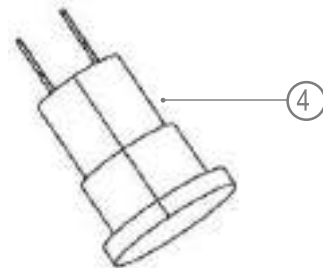
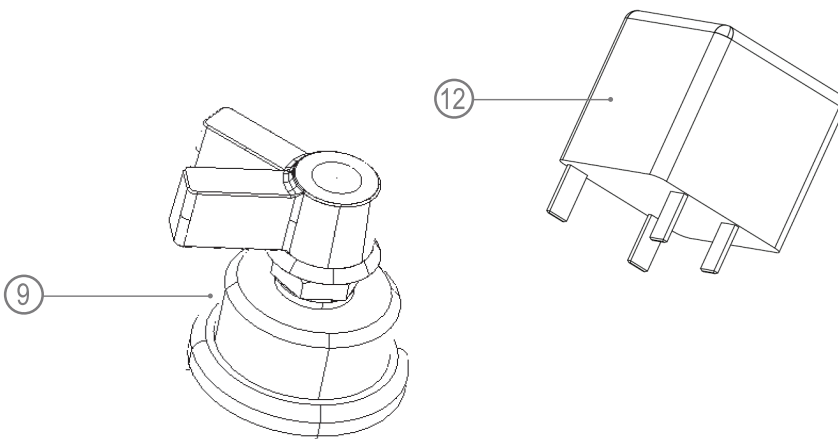
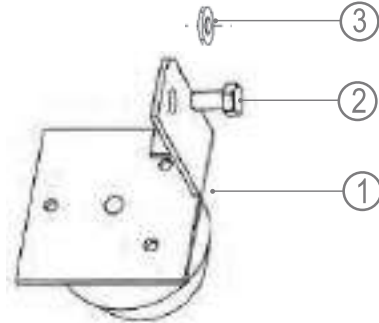
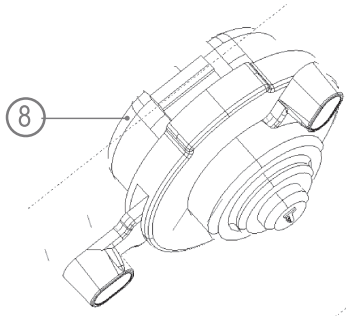
INSTRUMENT CLUSTER



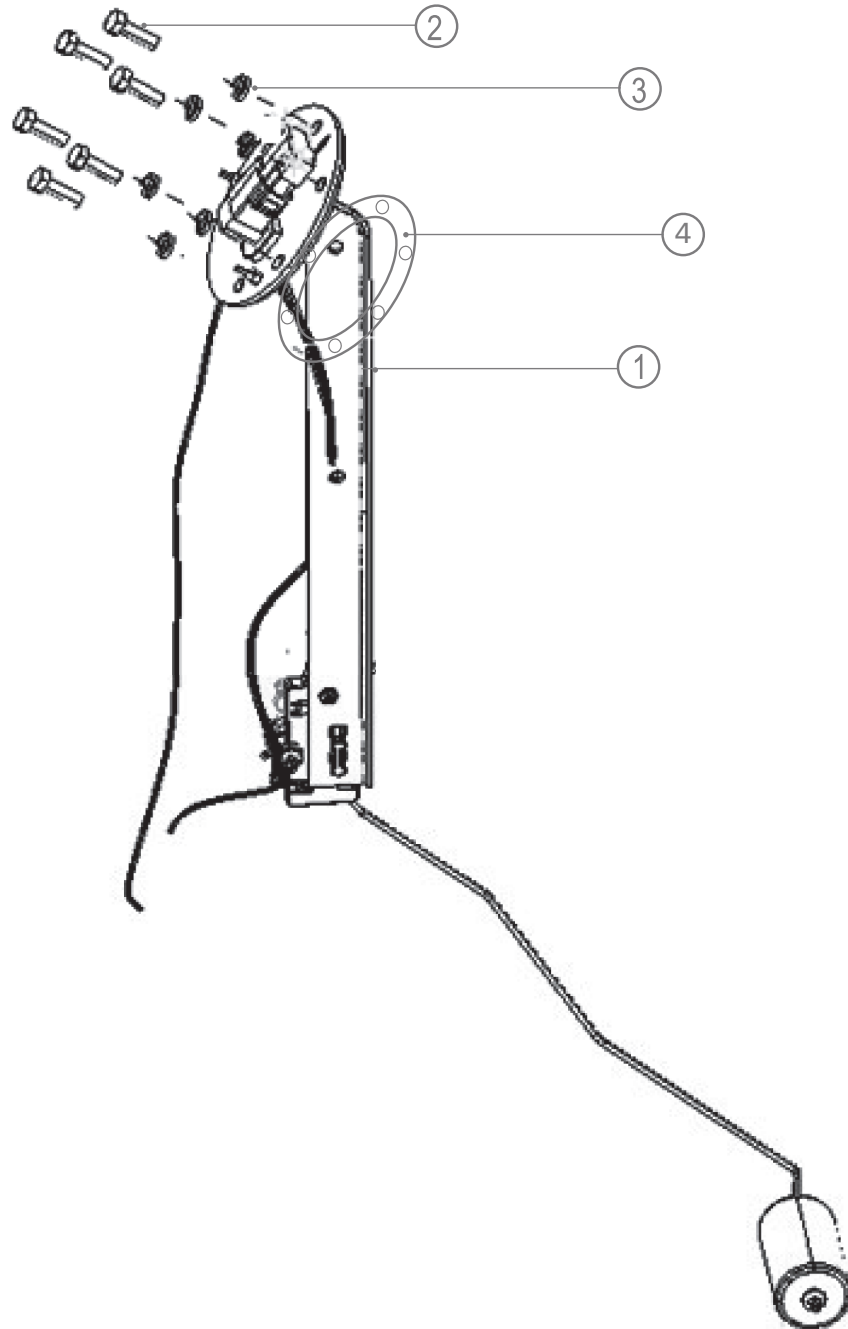
SENSORS AND SWITCHES

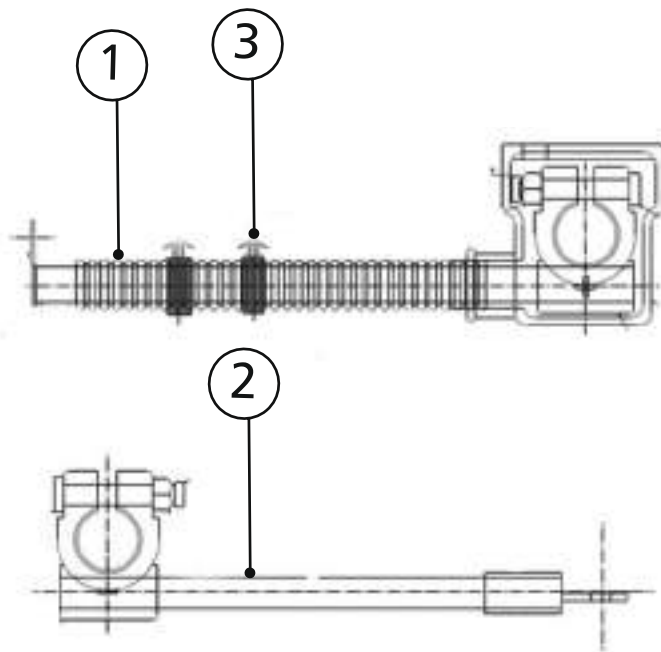


COMBINATION SWITCH ,HORN AND POWER SOCKETS



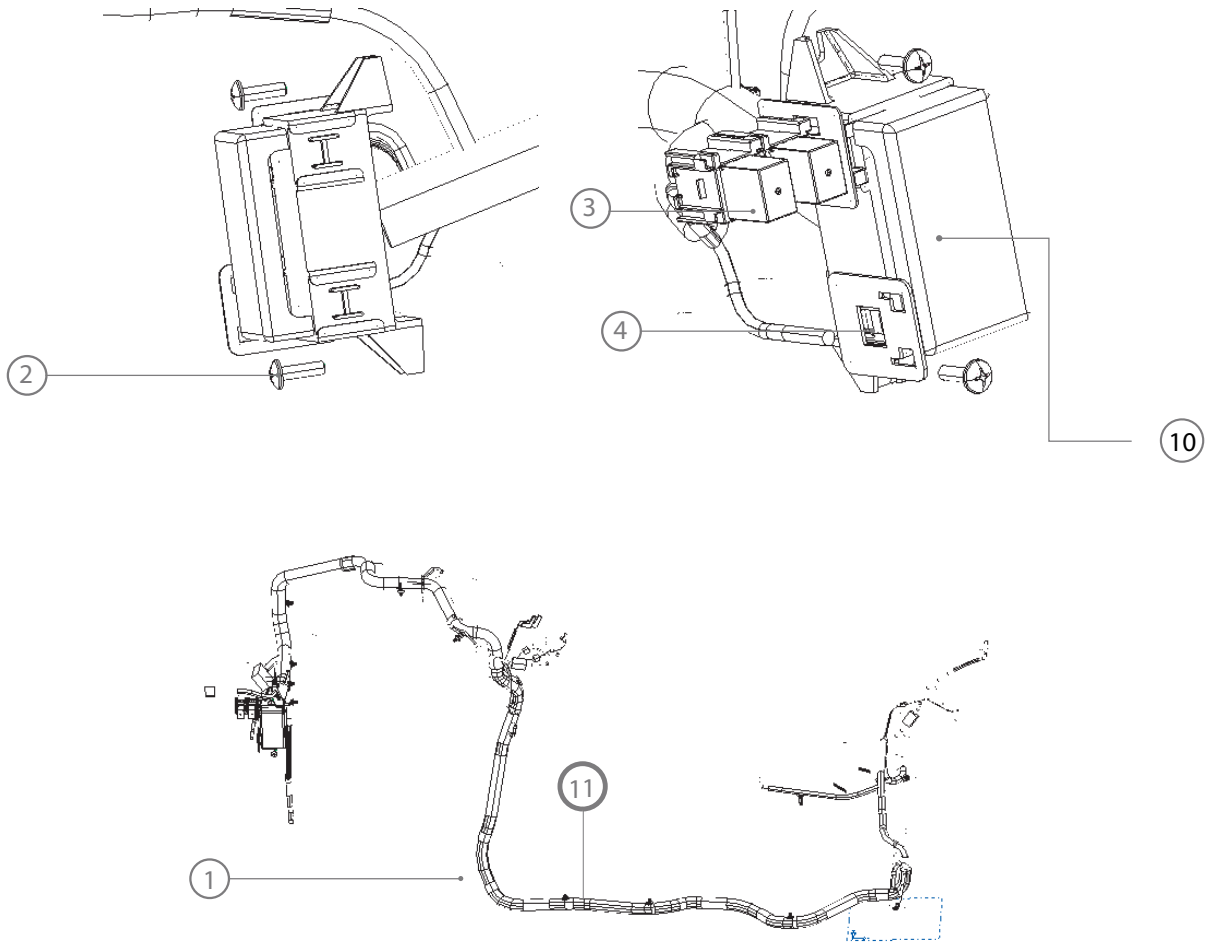
FUEL LEVEL SENSOR





CABLES (SCUTTLE)

5-8



5



6

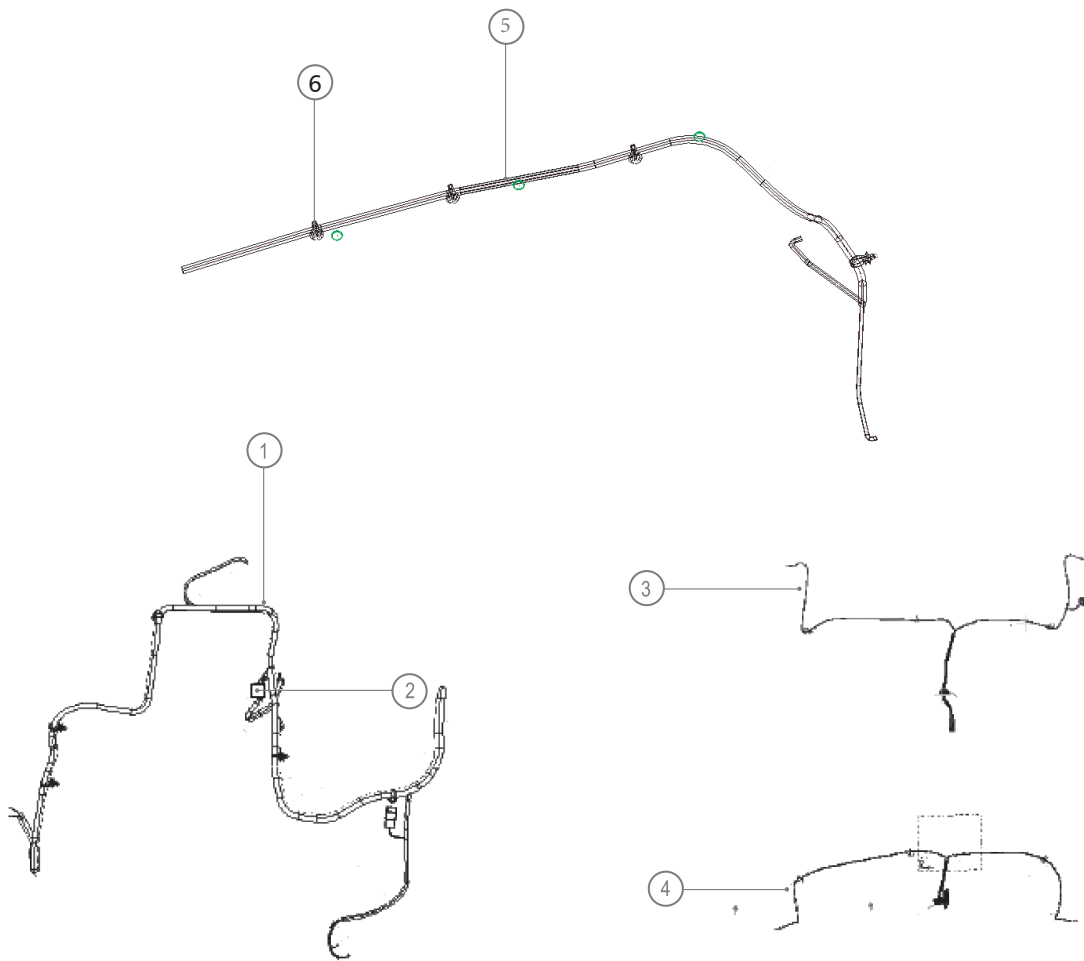


7



8

WIRING HARNESS



CLIPS

