

FOREWORD

We are pleased to present the **3rd edition** of Supplementary Parts Catalogue for “**MAHINDRA SHAAN - Multi Utility Tractor**”.

This Catalogue gives the list of exclusive (uncommon) parts used in SHAAN. For other common parts refer the regular Parts Catalogue.

However All Arjun Parts used in SHAAN are displayed in this Parts Catalogue.

The following points will help you to understand the Usage of the Supplementary Parts Catalogue.

- Suffix “A” written against Reference Number denotes, Arjun Part used in SHAAN Tractors.
- Suffix “R” written against References Number denotes, Regular 255 Part used in SHAAN Tractors.
- Suffix “\$” written against Reference Number denotes a remark which is given at the foot note of the page.
- Symbol “‡” given in the Part Number column denotes, Part is Not Serviced Separately. Also the remark is given below each page.
- Symbol “*” denotes, Part is Not Illustrated.
- Where Assembly consist of Exclusive/Uncommon & Regular Parts. The Exclusive/Uncommon Parts are highlighted whereas the Regular Part are indicated “Light Grey” in colour.

We hope this Parts Catalogue will serve useful to you. For any further help or queries contact at the below mentioned address.

Customer Care Department
Mahindra & Mahindra Ltd.,
Farm Equipment Sector,
Akurli Road,
Kandivli (E)
Mumbai - 400 101

I N D E X D E S C R I P T I O N

ENGINE **PAGES**

Engine, Air Intake System & Cooling System -----	4-5
Exhaust System -----	4-5
Valve Housing Cover & Oil Pan -----	6-7
Lubrication System -----	6-7
Fuel System -----	8-9

CHASSIS & SHEET METAL

Front Axle And Front Axle Support -----	10-11
Front Wheel Hub & Steering Knuckle -----	10-11
Steering Knuckle, Arm, Drag Link & Tie Rod -----	12-13
Steering Wheel And Steering Gear Assembly -----	14-15
Steering Gear Assembly -----	16-17
Wheel Rim & Disc -----	16-17
Clutch Link Assembly -----	18-19
Hand Accelerator & Hand Brake Assembly -----	18-19
Footplate And Foot Accelerator -----	20-21
Foot Brake And Linkages -----	20-21
Seat -----	20-21
PTO Linkages -----	22-23
Hi - Low Linkages -----	22-23
Hood Complete & Bumper Assy. -----	24-25
Hood Mounting Structure Assy. -----	26-27
Mainframe & Fuel Tank Assy. -----	28-29
Rear Leaf Spring -----	30-31
Flooring And Engine Cover Assy. -----	32-35
Canopy Assembly -----	36-37
Windscreen & Wiper Assembly -----	38-41
Windscreen Canopy Kit -----	42-43

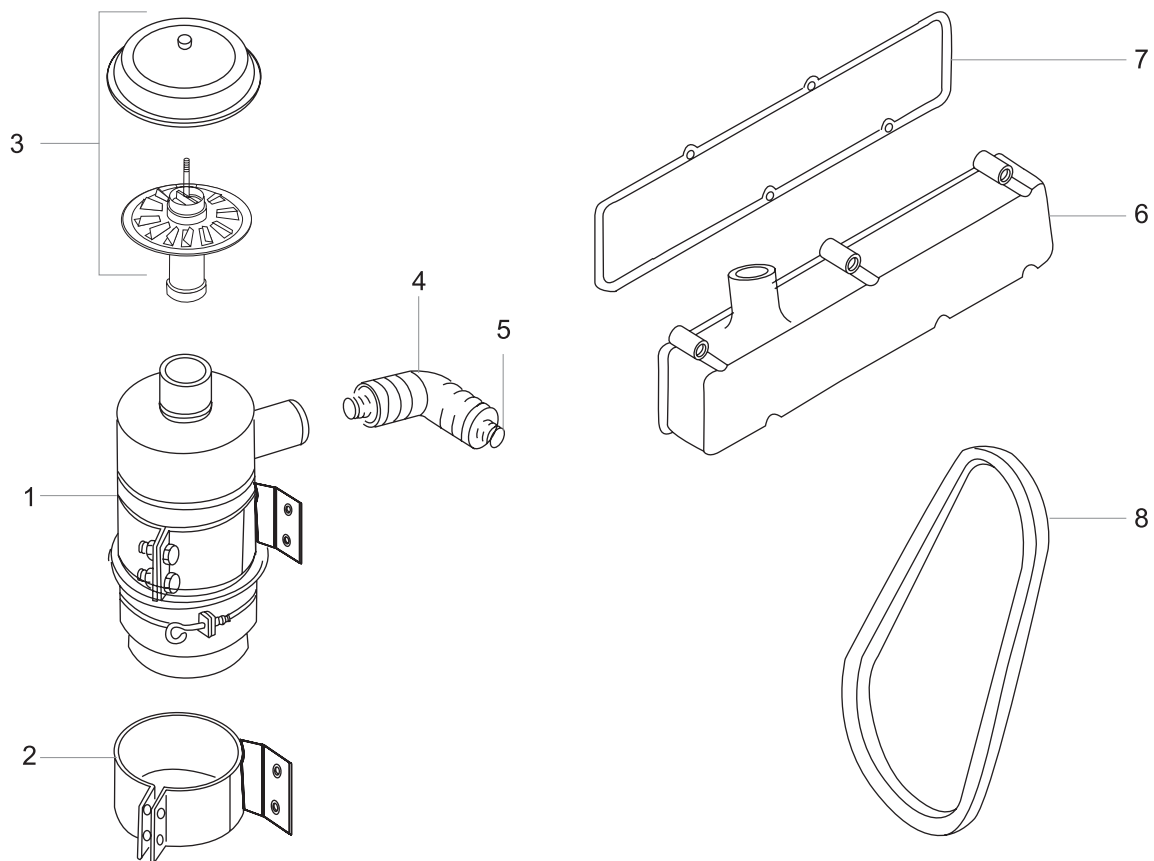
TRANSMISSION

Transmission Case -----	44-45
Transmission Gears & Shafts -----	44-45
Gears Shifter Mechanism & Transmission Case Cover Front -----	46-47
Differential -----	46-47
Rear Axle Carrier & Rear Axle -----	48-49

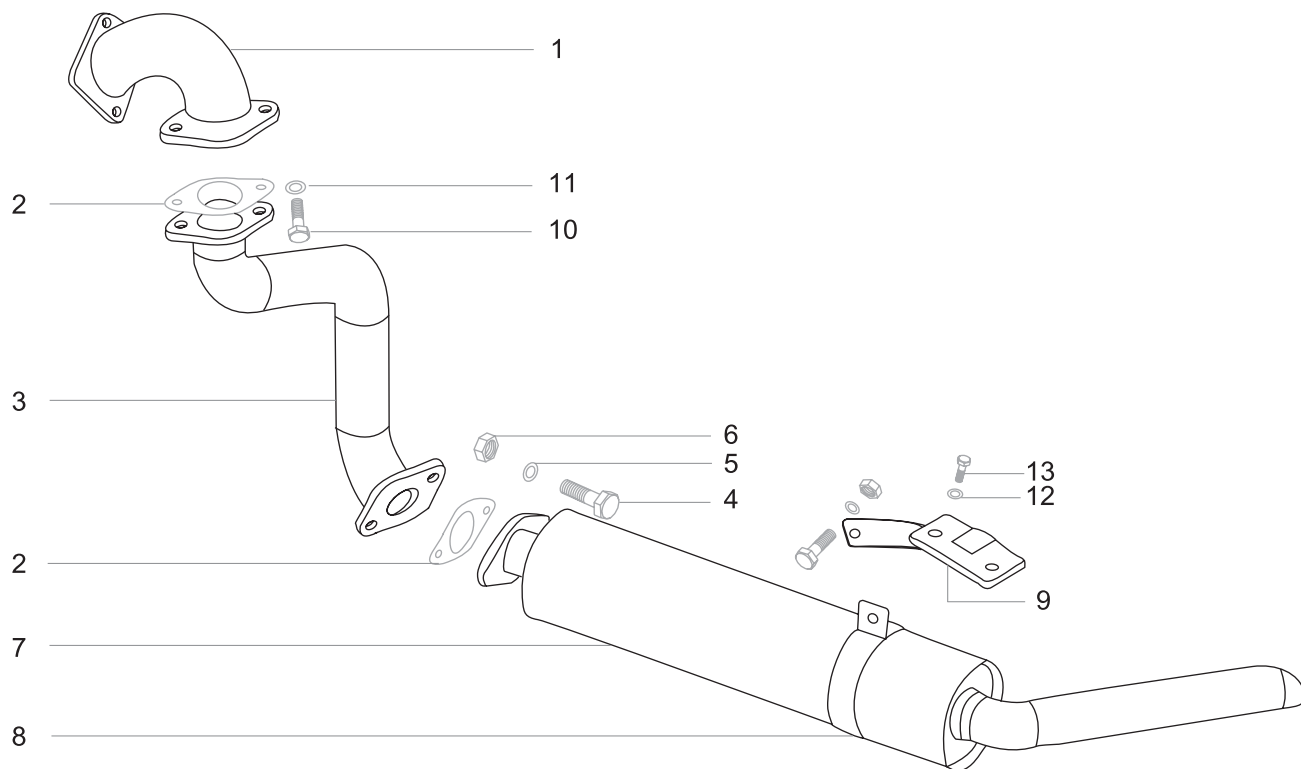
HYDRAULICS & ELECTRICALS

Hydraulic Piping - Yuken Control Valve -----	50-51
Hydraulic Piping - Walvoil Control Valve -----	52-53
Hydraulic Parts -----	54-55
Linkage Three Point -----	56-57
Electrical Cpte. -----	58-59
NUMERICAL INDEX -----	60-62

ENGINE, AIR INTAKE & COOLING SYSTEM



EXHAUST SYSTEM



ENGINE, AIR INTAKE & COOLING SYSTEM

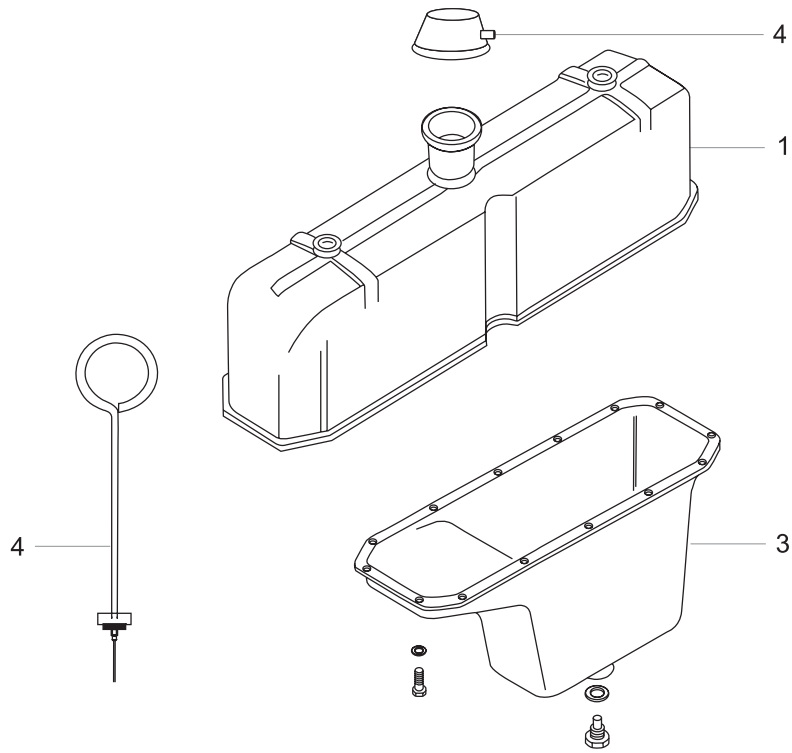
Part Number	Ref.	Description Of Part	Qty/ Tractor	Revised Part No./
ENGSACTORDILS	*	ENGINE Cpte.	1	
000011105P02	1\$	TWIN AIR CLEANER Assy Comprising of	1	
000011103P02	2	BRACKET Clamp Mounting	1	
006001755B91	3	PRECLEANER Complete	1	A/188/F08/42
000010524P02	4	HOSE Air Intake	1	
000010594P02	5	SPRING Air Intake hose	1	
000010281P02	6	MANIFOLD Air Intake	1	
000015417RD	7	GASKET Intake Manifold	1	
000010561P02	8	BELT Alternator	1	
006005558B1	*	BOLT Thermostat Cover	3	

EXHAUST SYSTEM

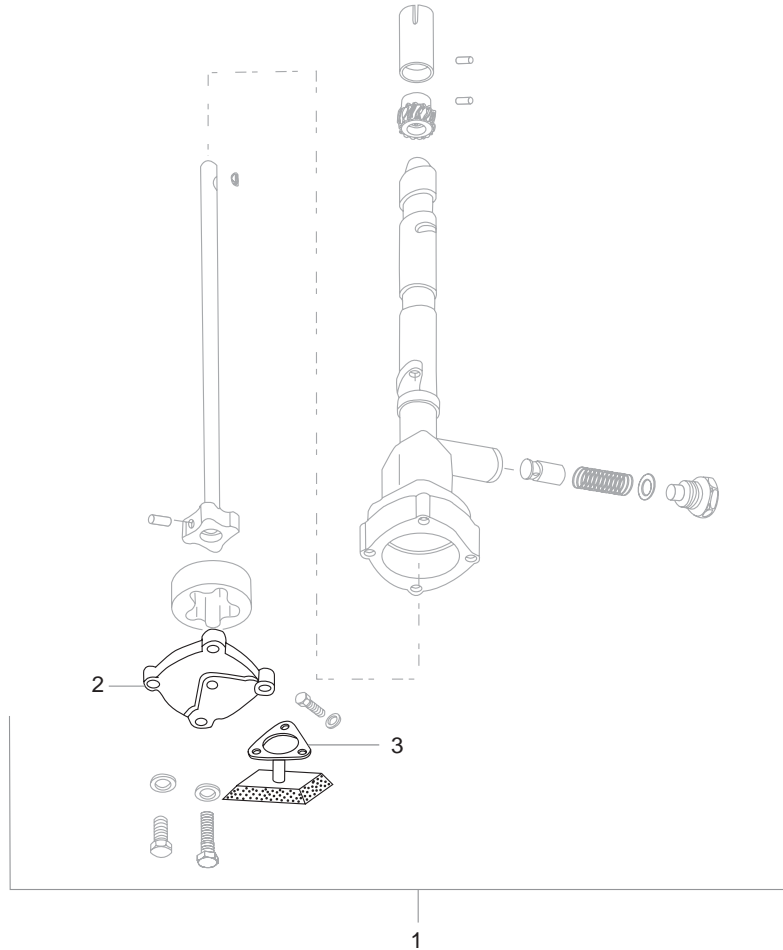
008000517G1	1	EXHAUST Manifold	1	
000704613R1	2 'R'	GASKET Exhaust Pipe Flange	2	A/188/F08/42
008000516G1	3	PIPE Exhaust, Down Swept	1	
000030020R1	4 'R'	BOLT M10 x 1.5 x 25	3	
001082012R2	5 'R'	WASHER Spring Lock M10	3	
005554365R2	6 'R'	NUT M10 x 1.5	2	
008000228G1	7	SILENCER Cpte.	1	
008000114G1	8	CLAMP Silencer	2	
008000542G1	9	BRACKET Silencer	1	
000179840	10 'R'	BOLT Exhaust Pipe Mounting	2	
001082012R1	11 'R'	WASHER Spring Lock M10	2	
005550700R1	12 'R'	WASHER Spring Lock	2	
000179891	13 'R'	BOLT	2	

\$ - All parts inside Twin Air Cleaner Assy. same as Regular.
'R' - Part used on Regular Tractors

VALVE HOUSING COVER & OIL PAN



LUBRICATION SYSTEM



VALVE HOUSING COVER & OIL PAN

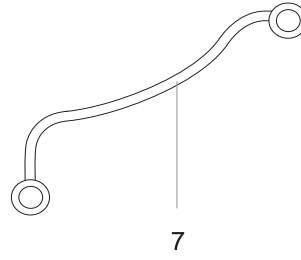
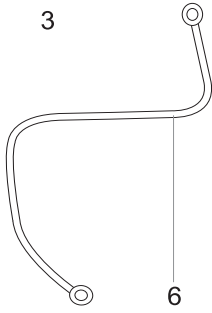
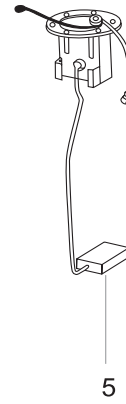
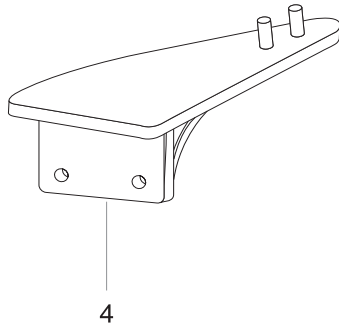
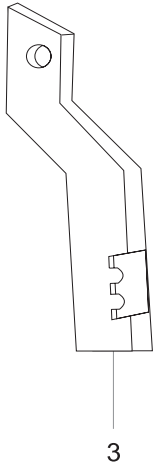
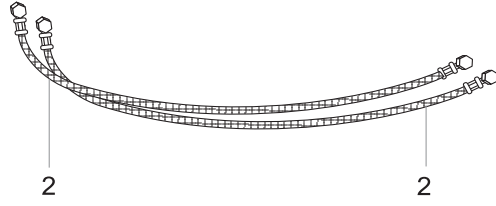
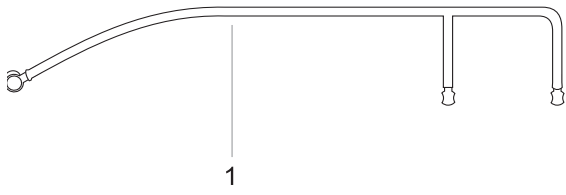
Part Number	Ref.	Description Of Part	Qty/ Tractor	Revised Part No./
006004148H1	1	COVER Valve Housing	1	
006002025A1	2	CAP Oil Filler	1	A/188/F08/42
000010146P02	3	OIL PAN	1	
006005452B91	4	DIPSTICK Engine Oil Pan	1	A/188/F08/42

LUBRICATION SYSTEM

000010493P02	1\$	PUMP Lub Oil Complete	1	
‡	2	COVER Oil Pump	1	
000010344P02	3	OIL Strainer Assembly.	1	

\$ - All parts inside Pump lube oil cpte. except ref. no. 2 & 3 are regular parts,
‡ - Part Not Serviced Separately

FUEL SYSTEM



FRONT AXLE AND FRONT AXLE SUPPORT

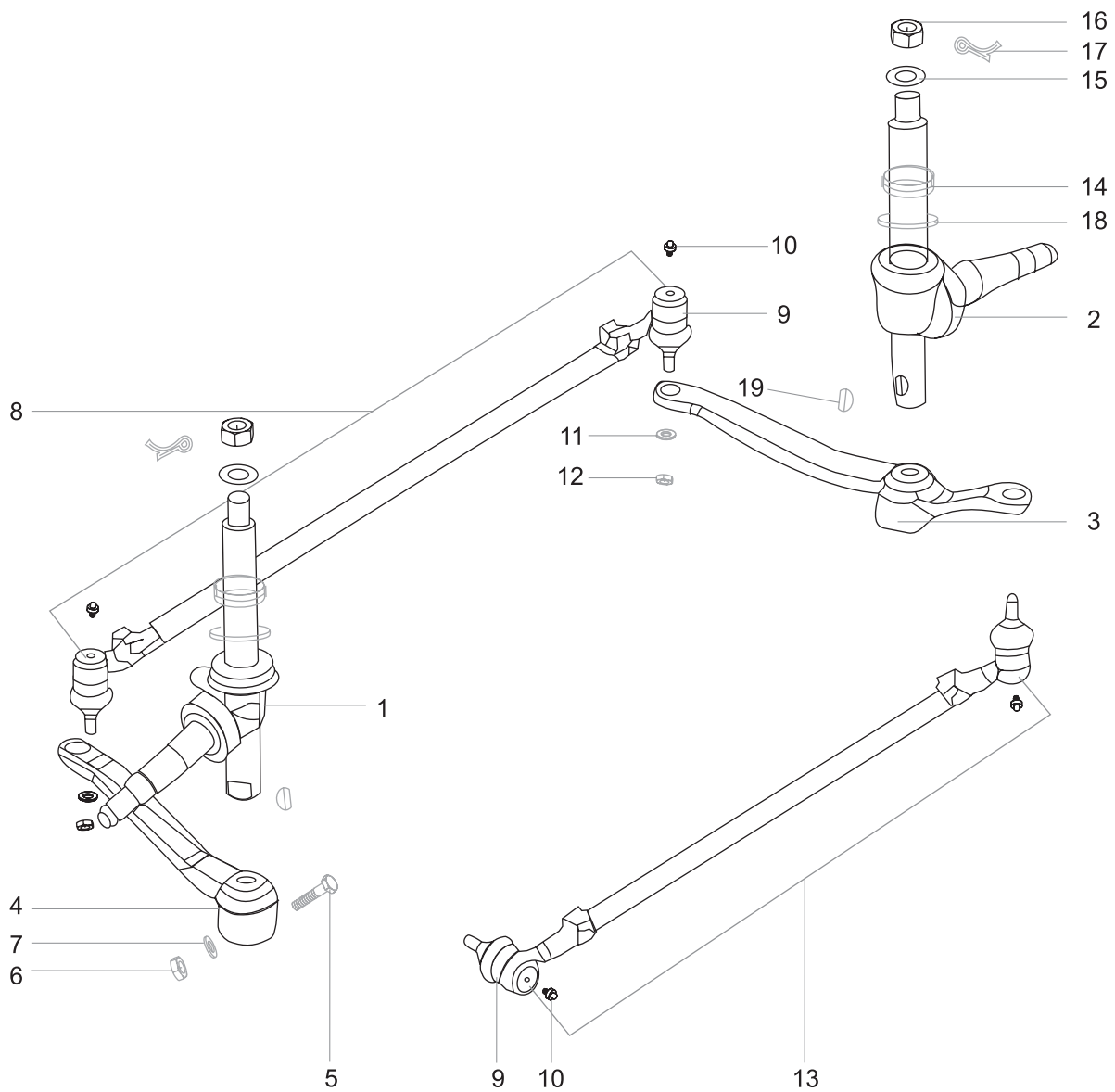
Part Number	Ref.	Description Of Part	Qty/ Tractor	Revised Part No./
000011814P02	1	FRONT Axle Support	1	
000010815P02	2	BOLT	4	
001082015R2	3 'R'	WASHER Spring Lock	4	
008000055G91	4	FRONT Axle Complete	1	
000010497P02	5	BUSH, Stg. Knuckle Sleeve	4	
000109462	6 'R'	NIPPLE Grease	3	
000011472P02	7	FRONT - Axle Pivot Pin Bush	1	
000705593R1	8 'R'	FRONT Axle Pivot Pin Sleeve Bush	1	
000186285	9 'R'	BOLT	1	
000022079RD	10 'R'	WASHER Plain M10	1	
000010958P02	11	PIN Front Axle Pivot	1	
001082012R2	12 'R'	WASHER M10 Spring Lock	1	
000102635	13 'R'	NUT Zinc Plated	1	
000011706P02	14	SHIM Front Axle Pin	4 to 6	

FRONT WHEEL HUB & STEERING KNUCKLE

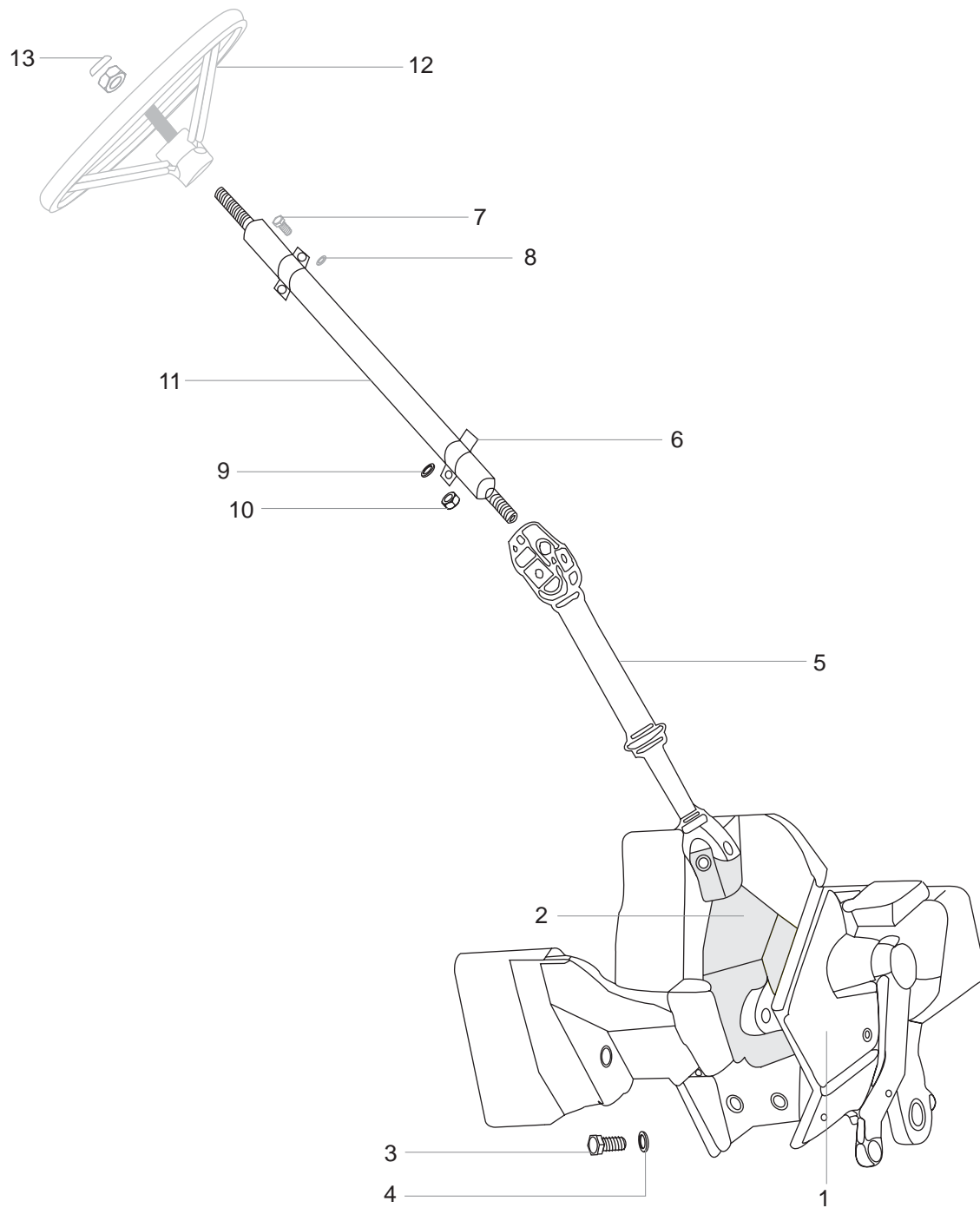
000011594P02	1	FRONT WHEEL Hub	2	
008000220G1	2	GASKET Front Wheel HUB Cap	2	
008000219G1	3	CAP Front Wheel HUB	2	

'R' - Part used on Regular Tractors

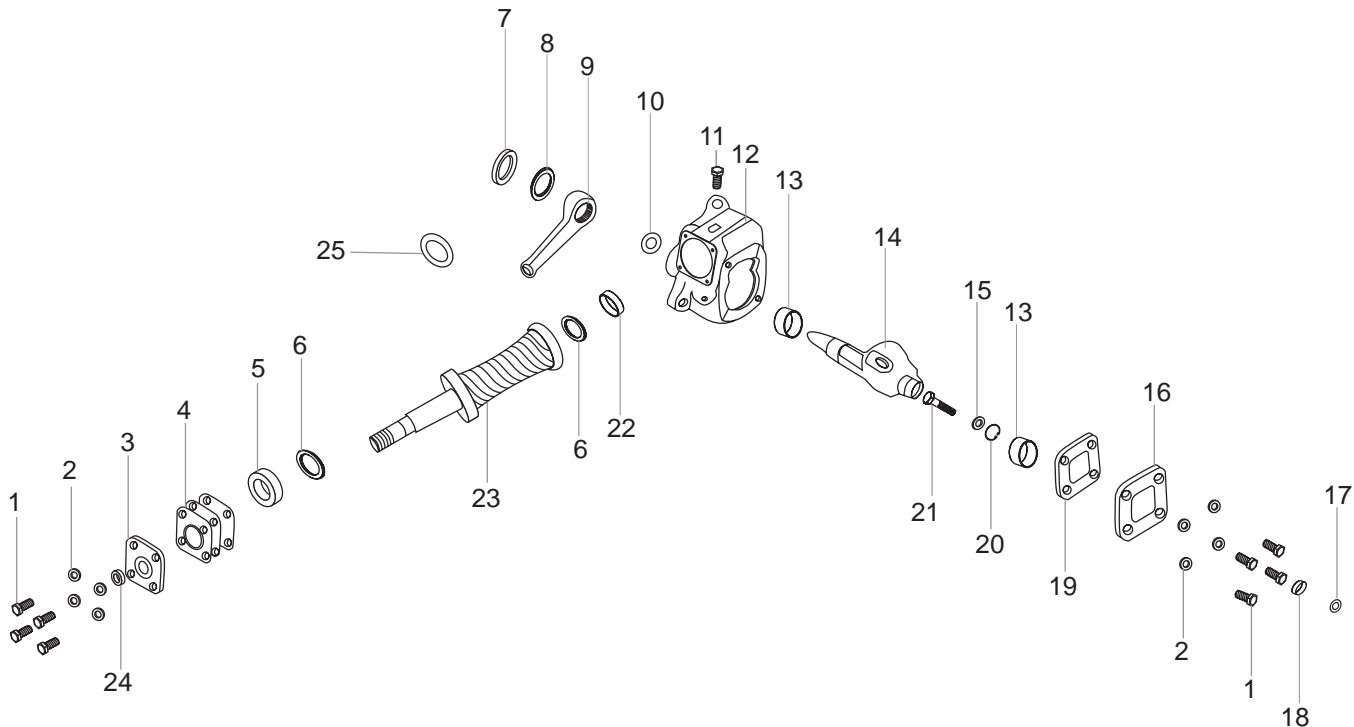
STEERING KNUCKLE, ARM, DRAG LINK & TIE ROD



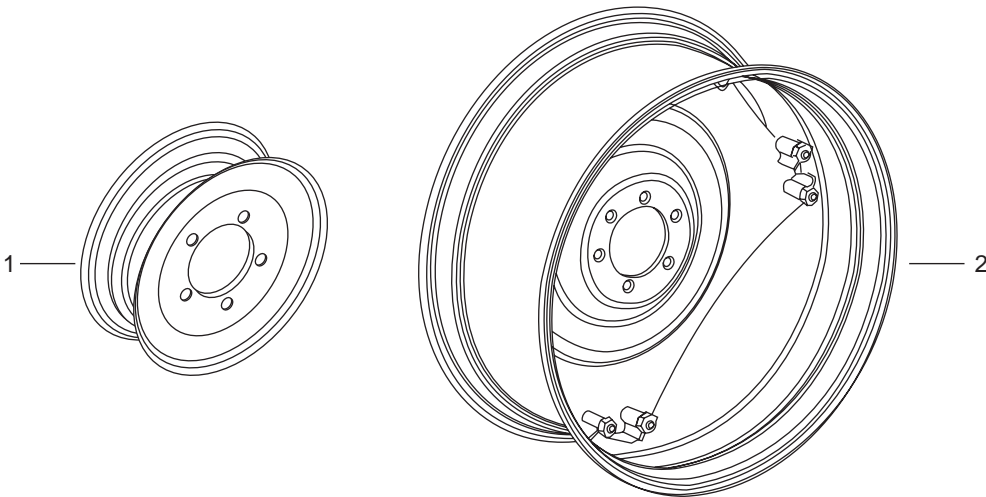
STEERING WHEEL AND STEERING GEAR ASSEMBLY



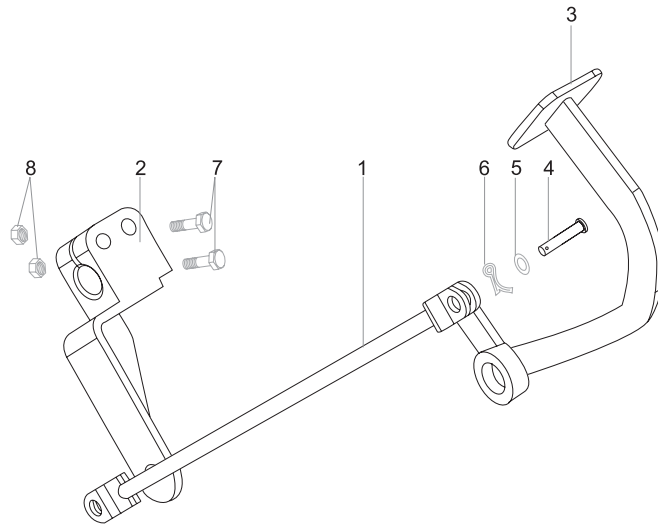
STEERING GEAR ASSEMBLY



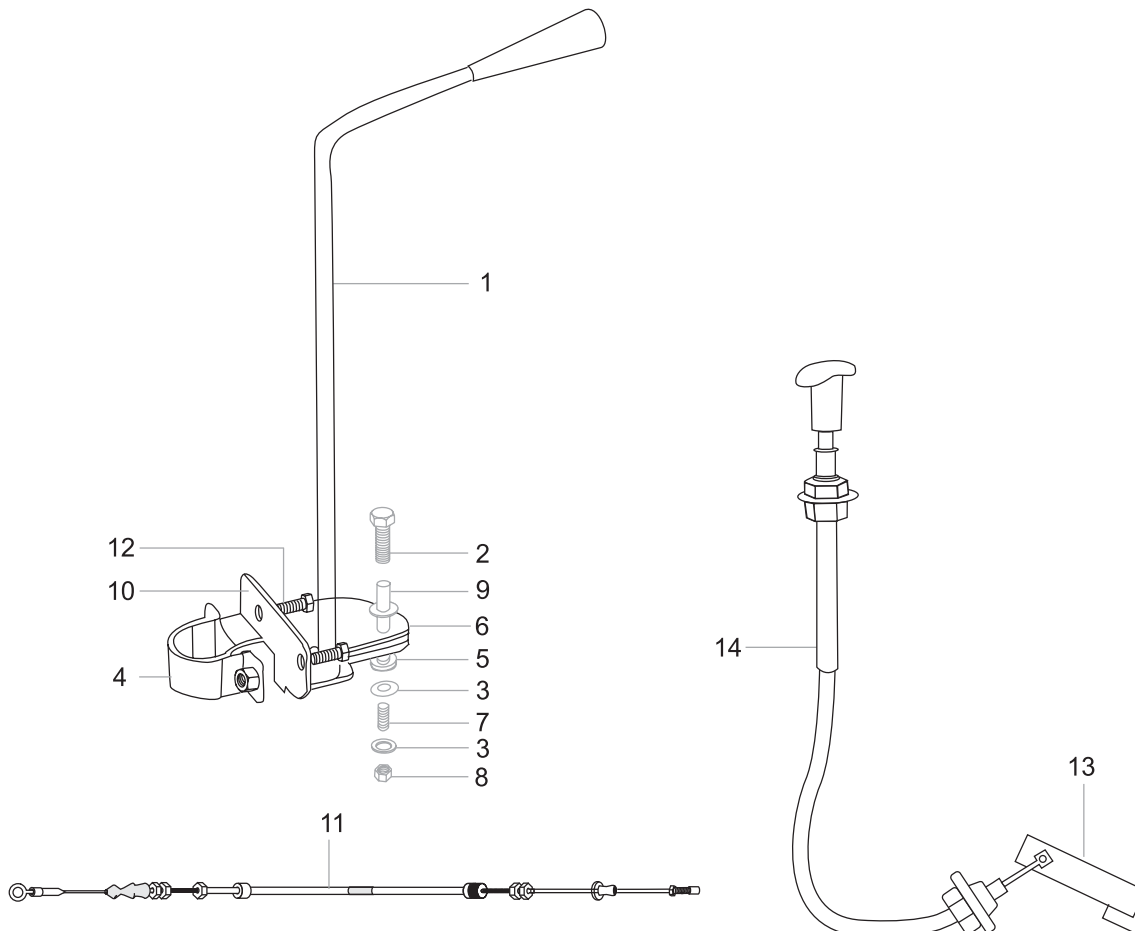
WHEEL RIM & DISC



CLUTCH LINK ASSEMBLY



HAND ACCELERATOR & HAND BRAKE ASSEMBLY



CLUTCH LINK ASSEMBLY

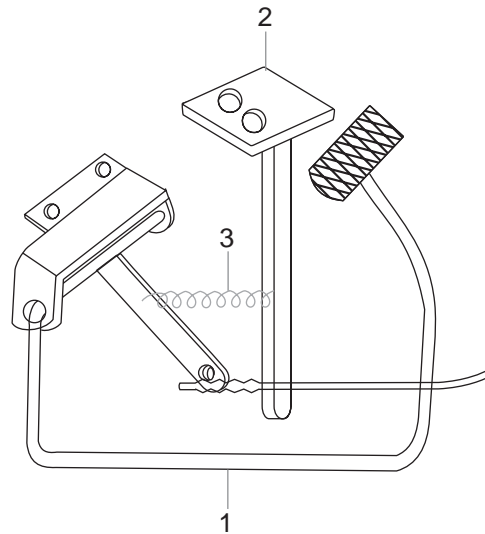
Part Number	Ref.	Description Of Part	Qty/ Tractor	Revised Part No./
008000415G1	1	LINK Clutch	1	
000010192P02	2	CLAMP Clutch	1	
008000414G1	3	PEDAL Clutch	1	
000010231P02	4	PIN Headed Clutch Linkage	2	
000607891R1	5 'R'	WASHER	2	
000103373	6 'R'	COTTER Pin	2	
000181379	7 'R'	BOLT Hex HD	2	
000751872R1	8 'R'	NUT Hex	2	

HAND ACCELERATOR & HAND BRAKE ASSEMBLY

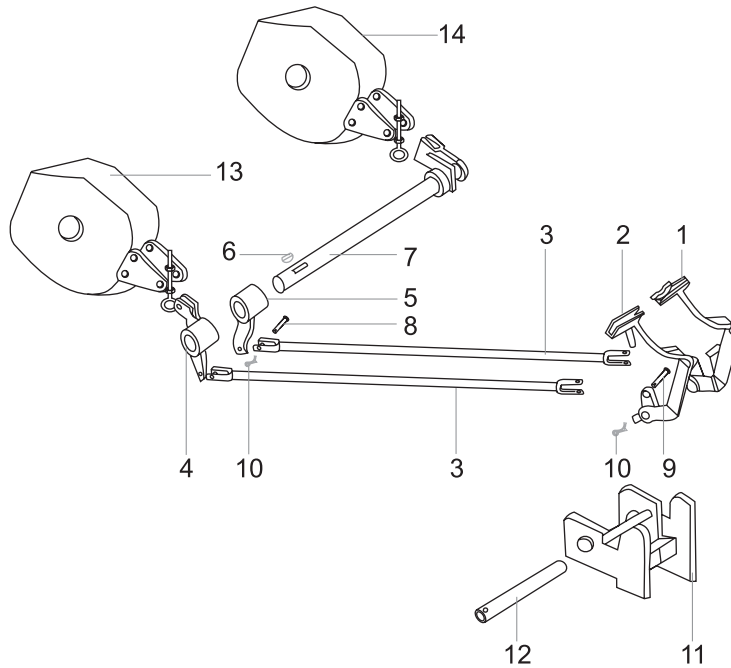
000017113P02	1	ROD, Hand Accelerator	1	
000225507	2 'R'	SCREW	1	
000016559R1	3 'R'	WASHER Plain M6	3	
008000210G1	4	CLAMP	1	
000704681R2	5 'R'	FIBRE Washer	2	A/188/F08/42
000017112P02	6	PLATE Assy. Hand Accelerator	1	
0003047323R1	7 'R'	SPRING Hand Accelerator	1	
000020179	8 'R'	NUT Nyloc	1	
001232850R1	9 'R'	PIN Roll	1	
000010864P02	10	BRACKET Hand Accelerator Mounting	1	
000010558P02	11	CABLE Hand Accelerator	1	
000020289SH	12	BOLT M8x1.25x30 L	2	
000010549P02	*	BRACKET Accelerator Cable Routing	1	
008000719G11	13	HAND BRAKE Lock Assy.	1	
000041943C11	14	CABLE Hand Brake	1	
000010808P02	*	PIN Hand Brake Cable	1	

'R' - Part used on Regular Tractors

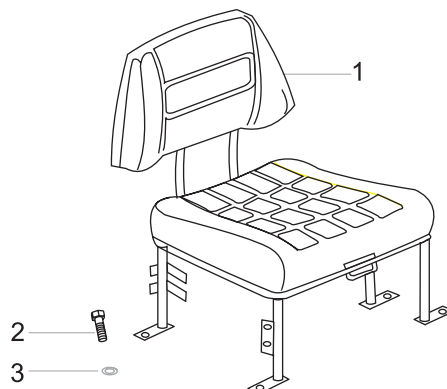
FOOTPLATE AND FOOT ACCELERATOR



FOOT BRAKE AND LINKAGES



SEAT



FOOT PLATE AND FOOT ACCELERATOR

Part Number	Ref.	Description Of Part	Qty/ Tractor	Revised Part No./
008000460G1	1	FOOT Control Assy.	1	
008000459G1	2	BRACKET Spring Accelerator	1	
005553826R1	3 'R'	SPRING Foot accelerator	1	A/188/F08/42
007601914C2	*	CABLE Pull To Stop	1	A/188/F08/42
007603241B1	*	CABLE Hour Meter	1	A/188/F08/42
000010558P02	*	CABLE Foot Accelerator	1	

FOOT BRAKE AND LINKAGES

008000383G1	1	PEDAL Foot Brake cpte LH	1	
008000384G1	2	PEDAL Foot Brake cpte RH	1	
007604098B11	2	PEDAL Foot Brake Cpte. RH	1	A/188/F08/42
008000273G11	3	LINK Brake Assy.	2	
008000381G1	4	BRAKE LEVER RH	1	
008000382G1	5	BRAKE LEVER LH	1	
000124556	6 'R'	KEY Woodruff	1	
008000418G1	7	BRAKE SHAFT Cpte.	1	
000010862P02	8	PIN BRAKE Link	6	
000010145P02	9	PIN BRAKE Link	4	
000103374	10 'R'	COTTER Pin	12	
008000693G11	11	BRACKET for Brake Pedal	1	
007604094B91	11	BRACKET for Brake Pedal	1	A/188/F08/42
008000699G11	12	PIN Cpte Pivot Clutch & Brakes Pedal	1	
008000183G1	13 \$	BRAKE Assy. RH	1	
008000214G1	14 \$	BRAKE Assy. LH	1	
008000724G1	*	SPRING For Brake Pedal	2	

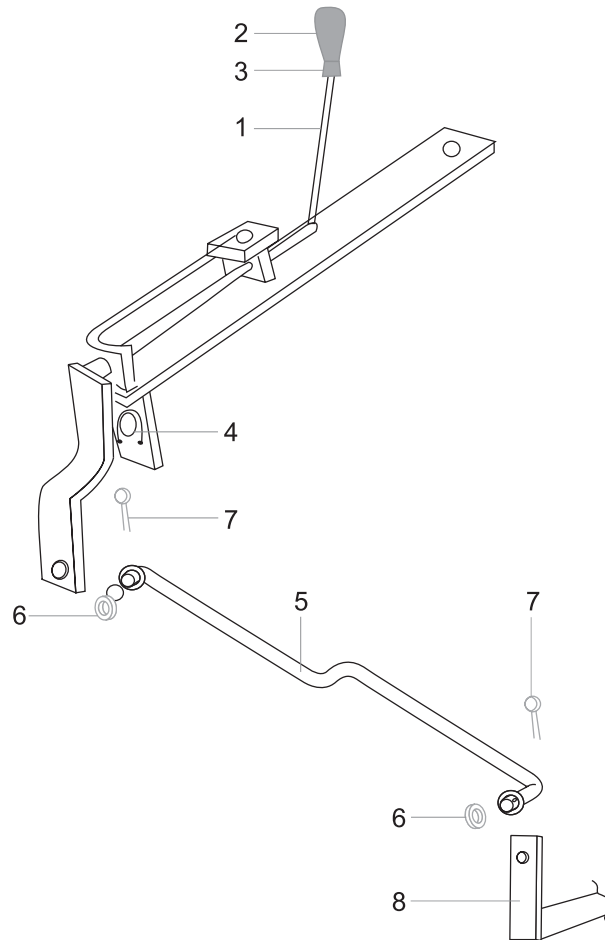
SEAT

007604235B91	1	SEAT Assembly	1	A/188/F08/42
000020289SH	2	BOLT Seat mtg. M8 x 1.25 x 30L	4	
000934309R1	3 'R'	WASHER Spring Lock M8	4	

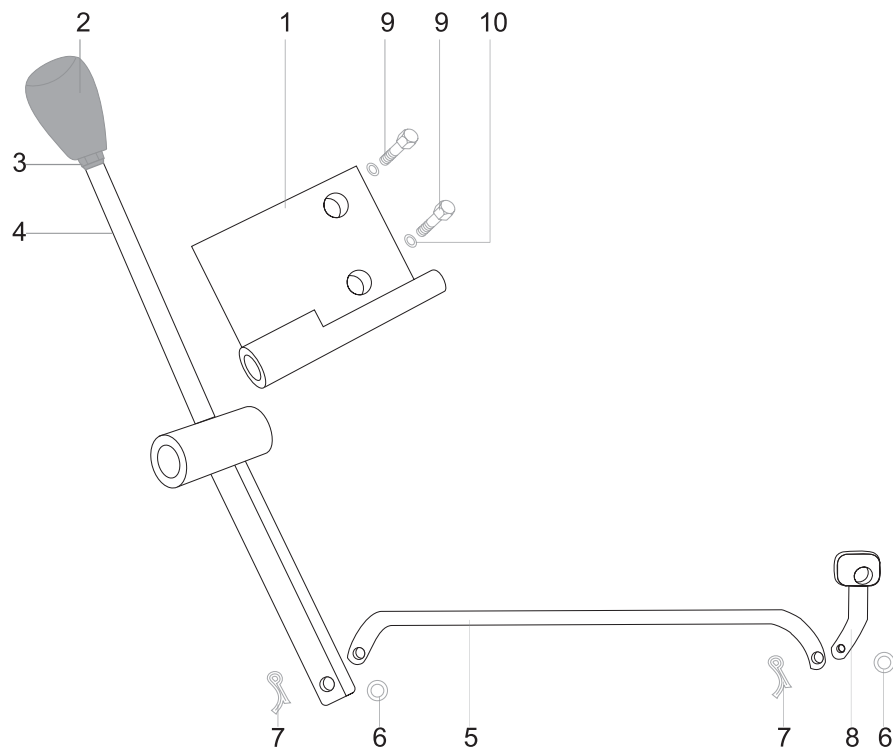
\$ - All Inside Parts of Brake Assy. are same as Regular 255 Model.

'R' - Part used on Regular Tractors

PTO LINKAGES



HI - LOW LINKAGES



PTO LINKAGES

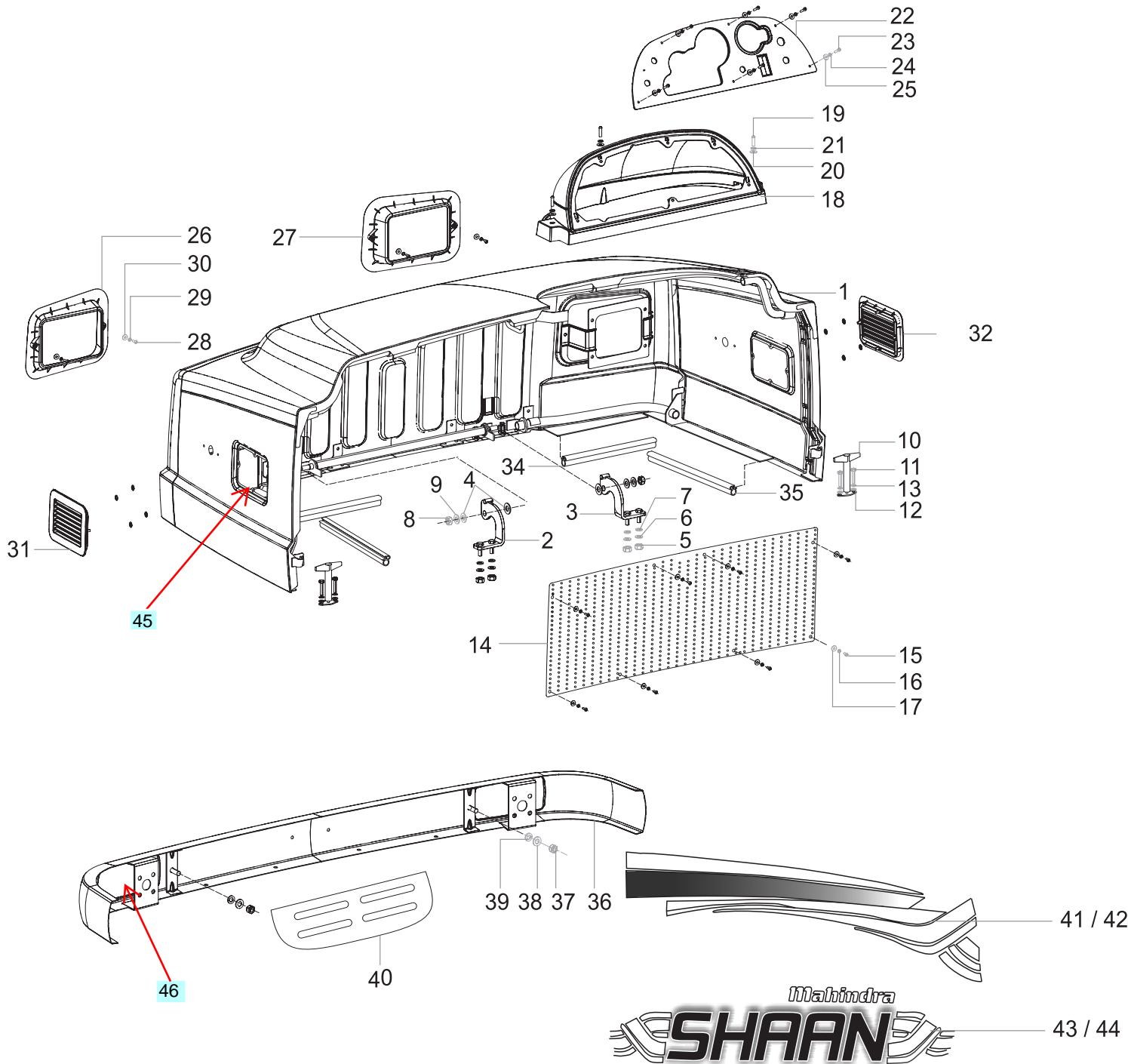
Part Number	Ref.	Description Of Part	Qty/ Tractor	Revised Part No./
008000728G11	1	PTO Shifter Level Assembly.	1	
005557109R3	2 'R'	KNOB PTO Shifter Lever	1	A/188/F08/42
005553017R1	3 'R'	HEX Nut M8 X 1.25	1	
008000727G1	4	SPRING for PTO Lever	1	
000012137P02	5	LINK PTO Shifter	1	
000026869R1	6 'R'	WASHER Plain	2	
000103373	7 'R'	COTTER PIN	2	
000010100P02	8	LEVER PTO Shifter Cpte	1	

HI - LOW LINKAGES

008000452G11	1	BRACKET Assy. Hi/Low Shifter Mtg.	1	
000032138B12	2 'A'	KNOB Hi/Low Shifter Lever	1	
000032140B12	3 'A'	NUT Hex M12X1.5	1	
007604034B91	4	LEVER Hi/Low Shifter Cpte.	1	A/188/F08/42
008000367G1	5	LINK Hi/Low Shifter	1	
000102394	6 'R'	WASHER Plain	2	
000103373	7 'R'	COTTER Pin	2	
00001068P02	8	LINK HUB HI/Low Shifter	1	
000179860	9 'R'	BOLT Hex	2	
001082013R3	10 'R'	WASHER Spring Lock	2	

'R' - Part used on Regular Tractors

HOOD COMPLETE & BUMPER ASSY.



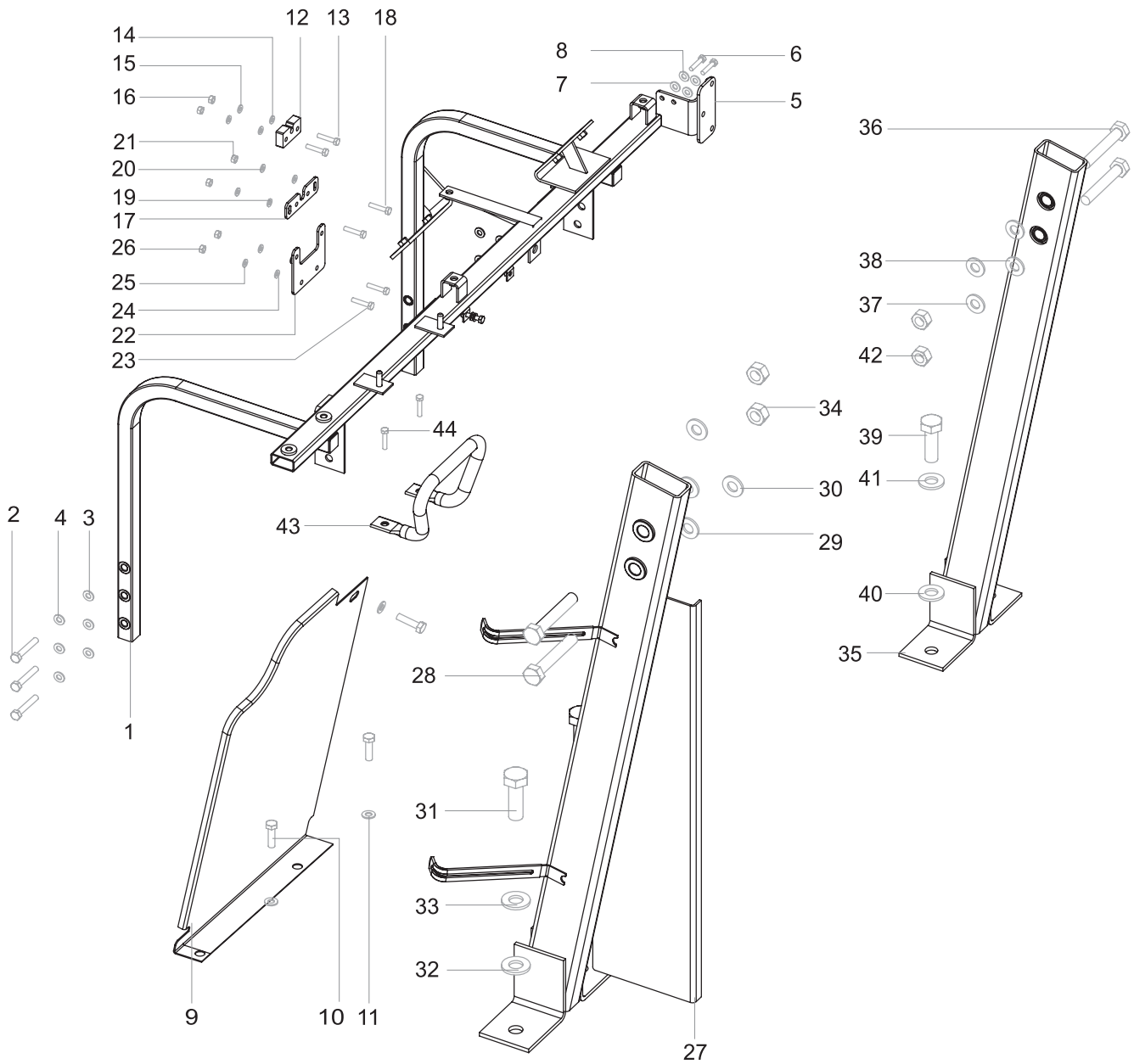
Part Number	Ref.	Description Of Part	Qty/ Tractor	Revised Part No./
007700590B91	45	LAMP Side Maker	2	A/188/F08/42
000013034P04	46	LAMP Combination	2	A/188/F08/42
007505310C1	47	LOGO Mahindra	1	A/188/F08/42

HOOD COMPLETE & BUMPER ASSY.

Part Number	Ref.	Description Of Part	Qty/ Tractor	Revised Part No./
007501028B91	1	HOOD Complete Assy.	1	
007536595B91	2	HINGE Fixed Hood Assy LH	1	
007536598B91	3	HINGE Fixed Hood Assy RH	1	
007536611B1	4	WASHER Nylon	4	
0060000663F1	5 'R'	NUT Hex M8	4	
000061115M01	6 'R'	WASHER Plain	4	
001082012R2	7 'R'	WASHER Spring	4	
001231889R1	8 'R'	NUT Nyloc M10	2	
000030184R1	9 'R'	WASHER Plain M10	2	
007536870B91	10	HOOD Catch Assy.	2	
000061046M01	11 'R'	SCREW Hex M6 X 25	4	
000060685M01	12 'R'	WASHER Plain M6	4	
001233808R1	13 'R'	WASHER Spring M6	4	
007501007B1	14 'R'	GRILL Perforated	1	
007535366D1	15 'R'	SCREW Cross Recessed Pan Head M6 X 10	14	
001082017R2	16 'R'	WASHER Spring M6	14	
005555955R1	17 'R'	WASHER Plain M6	14	
007537434B91	18	DASHBOARD Assy.	1	
000060971M01	19 'R'	SCREW Head Philip M6 X 20	3	
005555955R1	20 'R'	WASHER Plain M6	3	
001082017R2	21 'R'	WASHER Spring M6	3	
007537427B1	22	DASHBOARD Panel Plate	1	
000060972M01	23 'R'	SCREW Head Philips M4 X 20	6	
000060809M01	24 'R'	WASHER Spring Lock M4	6	
000061184M01	25 'R'	WASHER Special For M4 Screw	6	
007500873B91	26	HEAD LAMP Cover Assy LH	1	
007500874B91	27	HEAD LAMP Cover Assy RH	1	
000012904P04	28 'R'	SCREW Cross Recessed Pan Head M4 X 10	4	
000060809M01	29 'R'	WASHER Spring Lock M4	4	
000061184M01	30 'R'	WASHER Special For M4 Screw	4	
007500876B1	31	SIDE PANEL Louver LH	1	
007500877B1	32	SIDE PANEL Louver RH	1	
007500878B1	33	WASHER Lock For Side Panel Louver	8	
007536649B2	34	RUBBER Beading Front	2	
007536650B2	35	RUBBER Beading Side	2	
007537575B91	36	FRONT Bumper Assy	1	
005554365R1	37 'R'	NUT Hex M10	2	
000030184R1	38 'R'	WASHER Plain M10	2	
005555988R1	39 'R'	WASHER Spring M10	2	
008000480G1	40	SHIELD Radiator	1	
007537426B1	*	RUBBER Beading Dashboard	2	A/188/F08/42
008000733G1	41	Product Graphic Upper LH	1	
008000734G1	42	Product Graphic Upper RH	1	
008000735G1	43	Shaan Side Logo LH & RH	2	
008000736G1	44	Shaan Front Logo With Mahindra	1	

'R' - Part used on Regular Tractors

HOOD MOUNTING STRUCTURE ASSY.



HOOD MOUNTING STRUCTURE ASSY.

Part Number	Ref.	Description Of Part	Qty/ Tractor	Revised Part No./
007536485B93	1	HOOD MTG STRUCTURE ASSY	1	A/188/F08/42
000020255E05	2 'R'	BOLT Hex.Flange Head M8 x 45	6	
007535860D1	3 'R'	WASHER Plain	6	
000934309R1	4 'R'	WASHER Spring M8	6	
007537133B91	5 'R'	BRACKET Mirror Mtg.	1	
000020311E05	6 'R'	BOLT Hex Flange M6x16	2	
000016559R2	7 'R'	WASHER Plain M6	2	
001233808R1	8 'R'	WASHER Spring M6	2	
007536619B3	9	HOOD MOUNTING STRUCTURE Cover Plate LH	1	
000020307E05	10 'R'	BOLT Hex Flange M8 x 20	3	
007535860D1	11 'R'	WASHER Plain	3	
007536623B1	12	RUBBER Central Locking	1	
000020311E05	13 'R'	BOLT Hex Flange M6x16	2	
000016559R2	14 'R'	WASHER Plain M6	2	
001233808R1	15 'R'	WASHER Spring M6	2	
001233807R1	16 'R'	NUT Hex M6	2	
007536621B1	17	BRACKET Rubber mtg Central Locking	1	
000020311E05	18 'R'	BOLT Hex Flange M6x16	2	
000016559R2	19 'R'	WASHER Plain M6	2	
001233808R1	20 'R'	WASHER Spring M6	2	
001233807R1	21 'R'	NUT Hex M6	2	
007536620B1	22	BRACKET Central Locking	1	
000020311E05	23 'R'	BOLT Hex Flange M6x16	2	
000016559R2	24 'R'	WASHER Plain M6	2	
001233808R1	25 'R'	WASHER Spring M6	2	
001233807R1	26 'R'	NUT Hex M6	2	
007536425B92	27	HOOD MOUNTING STRUCTURE Verticle Support Assy RH	1	
000020254'E05	28 'R'	BOLT Hex Flange Head M8 x 45	2	
007535860D1	29 'R'	WASHER Plain	2	
000934309R1	30 'R'	WASHER Spring M8	2	
001233891R1	31 'R'	BOLT Hex M10 X 30	1	
000030184R1	32 'R'	WASHER Plain M10	1	
005555988R1	33 'R'	WASHER Spring M10	1	
000020777E05	34 'R'	NUT Flange M8	2	
007536424B92	35	HOOD MOUNTING STRUCTURE Verticle Support Assy LH	1	
000020254'E05	36 'R'	BOLT Hex Flange Head M8 x 45	2	
007535860D1	37 'R'	WASHER Plain	2	
000934309R1	38 'R'	WASHER Spring M8	2	
001233891R1	39 'R'	BOLT Hex M10 X 30	2	
000030184R1	40 'R'	WASHER Plain M10	2	
005555988R1	41 'R'	WASHER Spring M10	2	
000020777E05	42 'R'	NUT Flange M8	2	
007536891B1	43	HANDLE Driver Assist	1	
000020307E05	44 'R'	BOLT Hex Flange M8 x 20	2	
008000763G1	*	MIRROR Side	2	A/188/F08/42

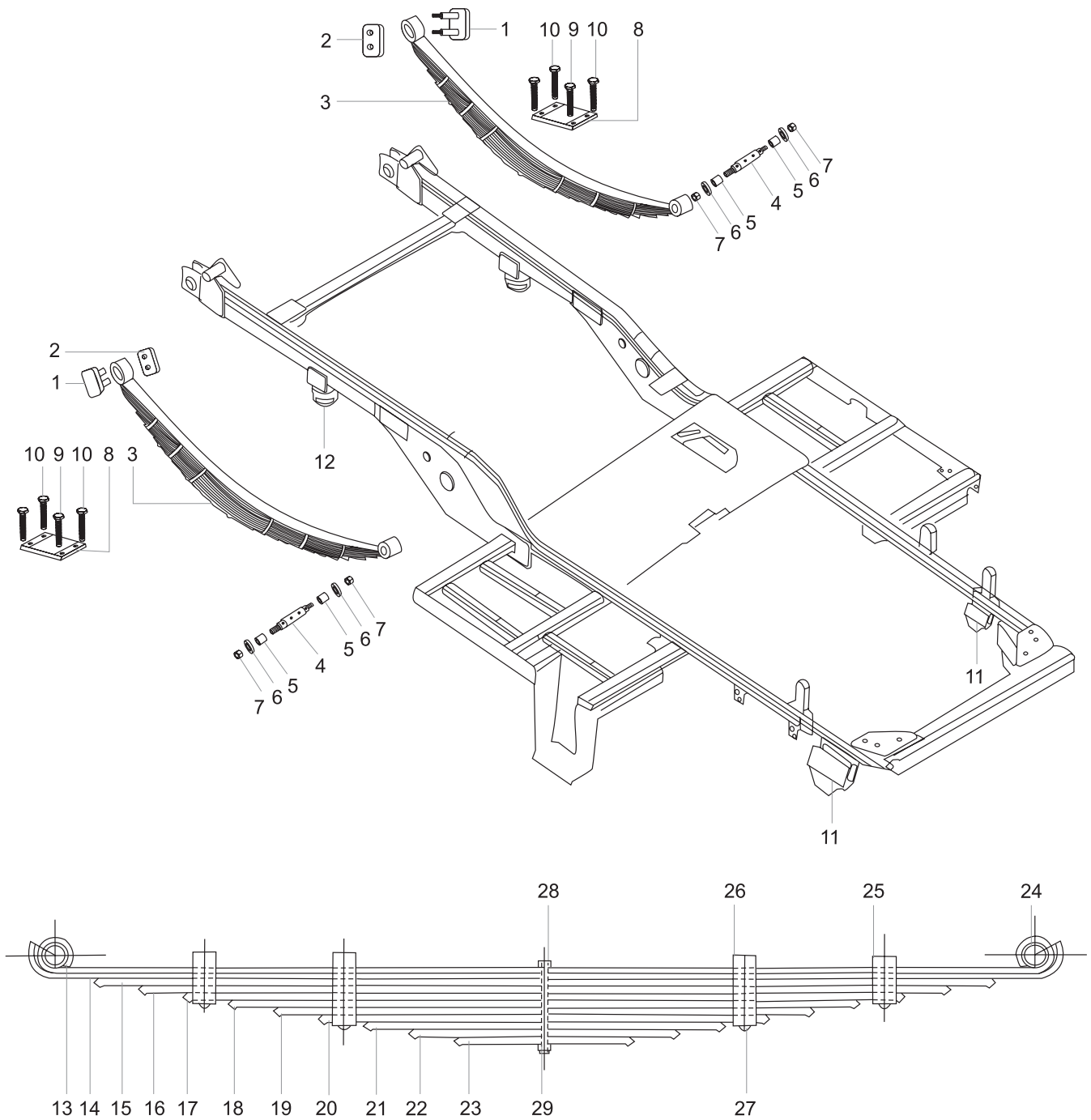
MAINFRAME & FUEL TANK ASSY.

Part Number	Ref.	Description Of Part	Qty/ Tractor	Revised Part No./
007536691B92	1	PLATFORMASSY	1	
000020314E05	2 'R'	BOLT Hex Flange M10 x 35	4	
000030184R1	3 'R'	WASHER Plain M10	4	
005555988R1	4 'R'	WASHER Spring M10	4	
007536604B2	5	FRONT Flap	2	
000020307E05	6 'R'	BOLT Hex Flange M8 x 20	4	
007535860D1	7 'R'	WASHER Plain	4	
000934309R1	8 'R'	WASHER Spring M8	4	
007536600B92	9	REAR Flap Assy	2	
000020307E05	10 'R'	BOLT Hex Flange M8 x 20	4	
007535860D1	11 'R'	WASHER Plain	4	
000934309R1	12 'R'	WASHER Spring M8	4	
007536841B91	13	SIDE Climber Assy LH	1	
000020306E05	14 'R'	BOLT Hex Flange M8 x 30	2	
000020258E05	15 'R'	BOLT Hex Flange M8 x 65	1	
000934309R1	16 'R'	WASHER Spring M8	1	
007535860D1	17 'R'	WASHER Plain	3	
007536582B93	18	SIDE Climber Assy RH	1	
000020306E05	19 'R'	BOLT Hex Flange M8 x 30	2	
000020258E05	20 'R'	BOLT Hex Flange M8 x 65	1	
000934309R1	21 'R'	WASHER Spring M8	1	
007535860D1	22 'R'	WASHER Plain	3	
007536576B91	23	REAR Climber Assy	2	
001231889R1	24 'R'	NUT Nyloc M10	2	
000030184R1	25 'R'	WASHER Plain M10	2	
007536592B92	26	MAIN FRAME Assy	1	A/188/F08/42
007515481B91	27	FUEL Tank Assy	1	A/229/F11/06
000020306E05	28 'R'	BOLT Hex Flange M8 x 30	4	
007535860D1	29 'R'	WASHER Plain	4	
001127926R1	30 'R'	PLUG Drain	1	
000017306P03	31 'A'	ADAPTOR Water Drain	1	
000061056M01	32 'R'	WASHER Copper	1	
001121752R2	33 'R'	WASHER Rubber	1	
007515296B1	34	CAP Fuel Tank	1	A/188/F08/42

'R' - Part used on Regular Tractor

'A' - Part used on Arjun Tractor

REAR LEAF SPRING

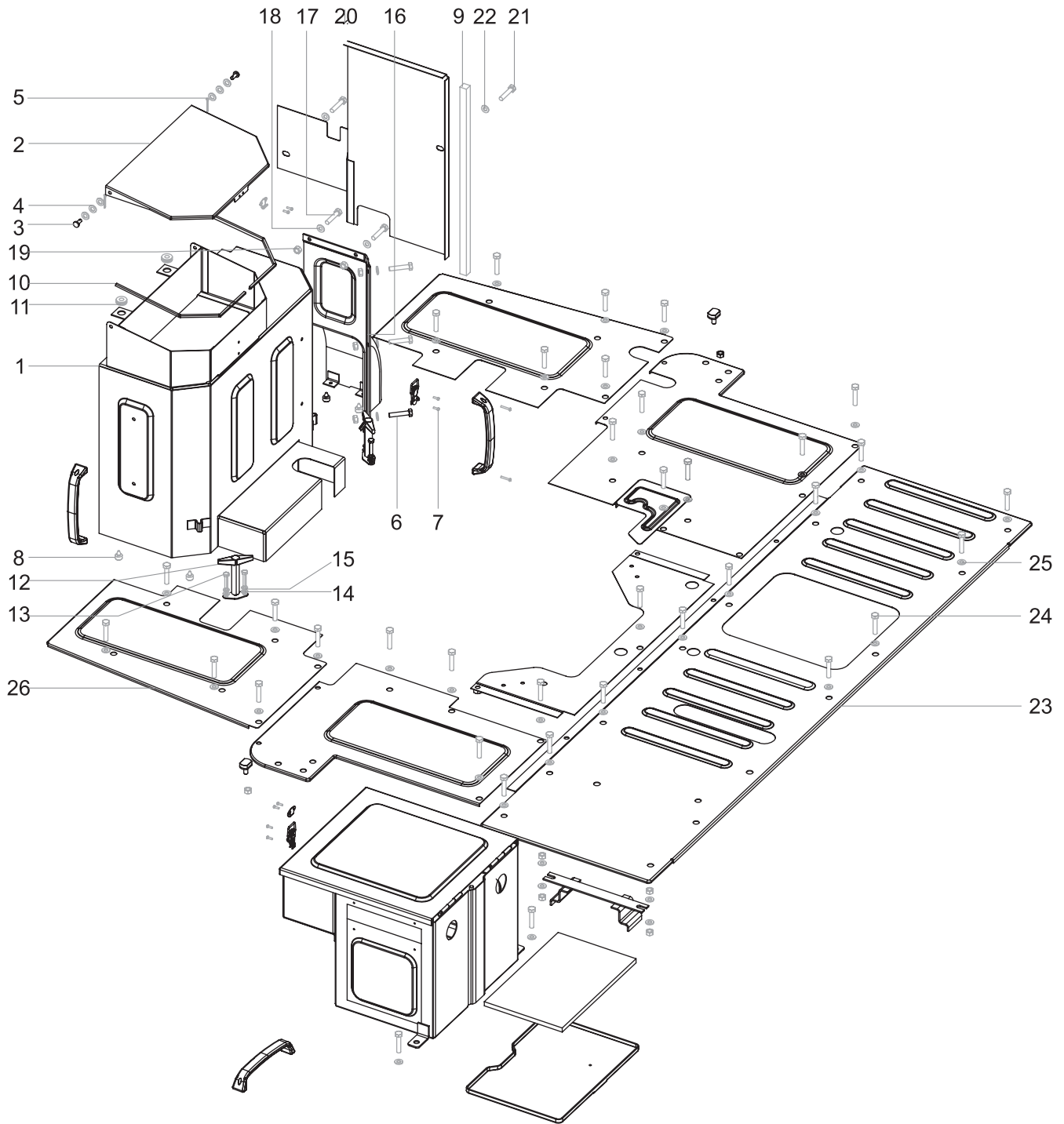


Leaf Spring Assy.

REAR LEAF SPRING

Part Number	Ref.	Description Of Part	Qty/ Tractor	Revised Part No./
008000121G11	1	ASSEMBLY SHACKLE	2	
008000127G1	2	SHACKLE Plate	2	
008000124G1	3	LEAF Spring Rear Assy Comprising of	2	
008000771G1	13	→ LEAF Spring 1	1	
008000772G1	14	→ LEAF Spring 2	1	
008000773G1	15	→ LEAF Spring 3	1	
008000774G1	16	→ LEAF Spring 4	1	
008000775G1	17	→ LEAF Spring 5	1	
008000776G1	18	→ LEAF Spring 6	1	
008000777G1	19	→ LEAF Spring 7	1	
008000778G1	20	→ LEAF Spring 8	1	
008000779G1	21	→ LEAF Spring 9	1	
008000780G1	22	→ LEAF Spring 10	1	
008000781G1	23	→ LEAF Spring 11	1	
008000782G1	24	→ BUSH	2	
008000783G1	25	→ CLIP Inner	2	
008000784G1	26	→ CLIP Outer	2	
008000785G1	27	→ RIVET	4	
008000786G1	28	→ BOLT	1	
008000787G1	29	→ NUT	1	
008000092G1	4	PIVOT PIN	2	
008000753G1	5	ROLLER	4	
008000752G1	6	WASHER Retainer	4	
005556479R1	7 'R'	NUT M12 x 1.25	4	
008000081G1	8	SPRING Clamping Plate	2	
007603427B1	8	SPRING Clamping Plate	2	A/188/F08/42
008000080G1	9	HEX Bolt M16 x 190 L Leaf Spring mtg.	6	A/188/F08/42
007601333C1	10	HEX Bolt M16 x 300 L Leaf Spring Mtg.	2	
008000670G1	11	BUMP STOP FRONT	2	
008000447G1	12	BUMP STOP-REAR	2	

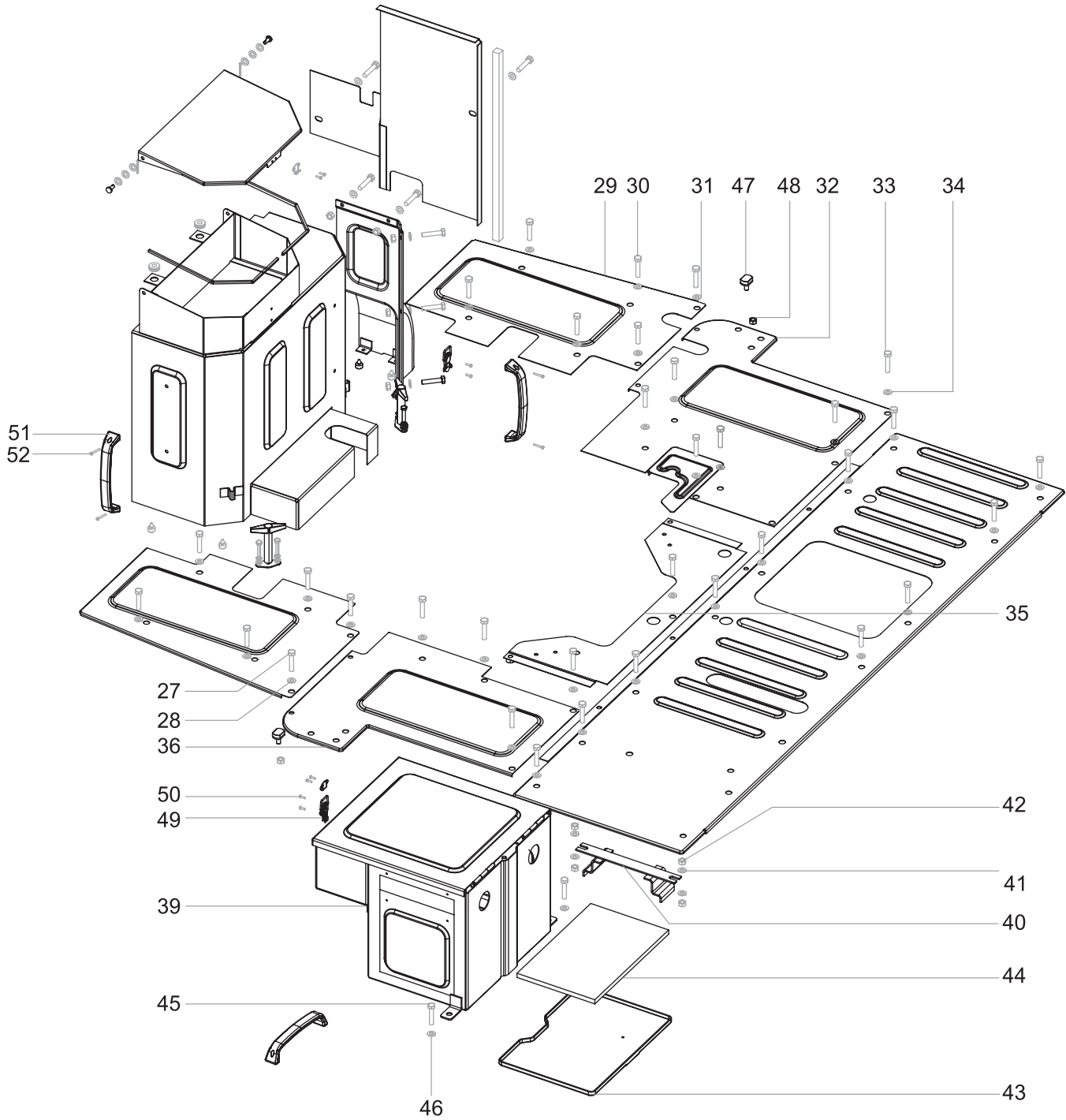
FLOORING AND ENGINE COVER ASSY.



FLOORING AND ENGINE COVER ASSY.

Part Number	Ref.	Description Of Part	Qty/ Tractor	Revised Part No./
007537472B91	1	ENGINE Cover Assy.	1	
007536386B92	2	UTILITY Box Top Cover Assy	1	
007536409B2	3	UTILITY Box Hinge Pin	2	
000016559R2	4 'R'	WASHER Plain M6	6	
000013894P04	5 'R'	COTTER Pin Split	2	
007536401B92	6	LATCH Assy Utility Box	1	
001127613R1	7 'R'	RIVET Pop Head	2	
007536880B91	8 'R'	BONNET Bumper Assy.	4	
007537600B1	9 'R'	BEADING Rubber Fixed Side Baffle	1	
007536610B2	10	BEADING Rubber	3	A/188/F08/42
007535307D1	11	GROMMET Rubber	2	
007536870B91	12	HOOD Catch Assy	2	
000020312E05	13 'R'	BOLT Hex Flange M6 x 20	4	
000016559R2	14 'R'	WASHER Plain M6	4	
001233808R1	15 'R'	WASHER Spring M6	4	
007537046B1	16	ENGINE Side Cover	1	
000020312E05	17 'R'	BOLT Hex Flange M6 x 20	5	
000016559R2	18 'R'	WASHER Plain M6	5	
001233807R1	19 'R'	NUT Hex M6	5	
007537498B91	20	FIX Side Baffle Assy	1	A/188/F08/42
000020307E05	21 'R'	BOLT Hex Flange M8 x 20	2	
007535860D1	22 'R'	WASHER Plain	2	
007536557B92	23	REAR Floor Assy	1	
000020307E05	24 'R'	BOLT Hex Flange M8 x 20	18	
007535860D1	25 'R'	WASHER Plain	18	
007537571B1	26	FRONT Floor LH	1	A/188/F08/42
007515296B1	*	CAP Fuel with Lock & Key	1	

FLOORING AND ENGINE COVER ASSY.

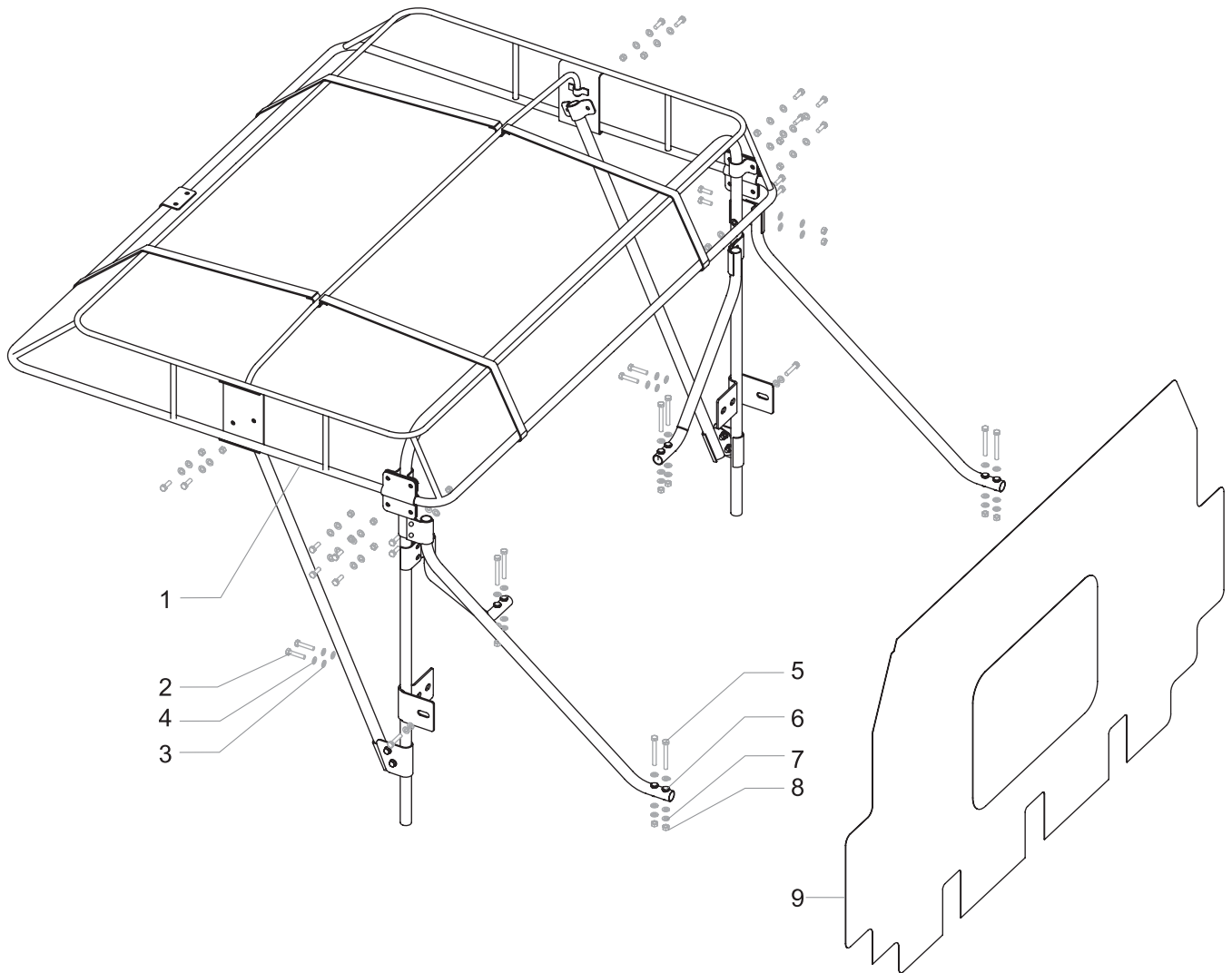


FLOORING AND ENGINE COVER ASSY.

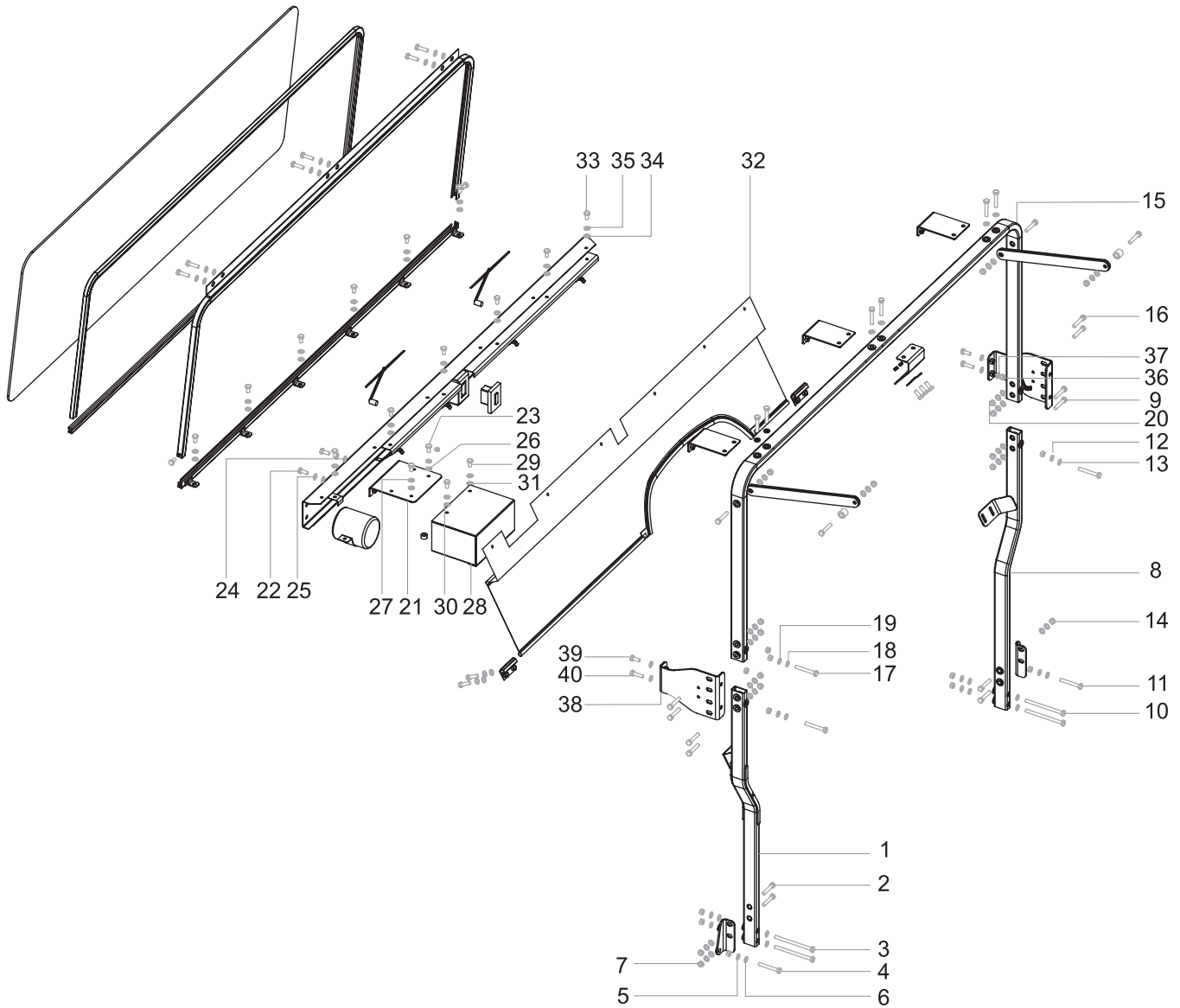
Part Number	Ref.	Description Of Part	Qty/ Tractor	Revised Part No./
000020307E05	27 'R'	BOLT Hex Flange M8 x 20	6	
007535860D1	28 'R'	WASHER Plain	6	
007537572B1	29	FRONT Floor RH	1	
000020307E05	30 'R'	BOLT Hex Flange M8 x 20	6	
007535860D1	31 'R'	WASHER Plain	6	
007537614B91	32	MIDDLE Floor RH Assy	1	A/188/F08/42
000020307E05	33 'R'	BOLT Hex Flange M8 x20	5	
007535860D1	34 'R'	WASHER Plain	6	
007536558B92	35	CENTER Floor Assy	1	
007537612B91	36	MIDDLE Floor LH Assy	1	A/188/F08/42
000020307E05	37 'R'	BOLT Hex Flange M8 x 20	3	
007535860D1	38 'R'	WASHER Plain	3	
007536638B92	39	BATTERY Box Assy	1	
007536645B91	40	BATTERY Clamp Assy	1	
007535860D1	41 'R'	WASHER Plain	4	
000020777E05	42 'R'	NUT Flange M8	4	
007536648B1	43	TRAY Battery Box	1	
008000211B2	44 'R'	PAD Battery	1	
000020307E05	45 'R'	BOLT Hex Flange M8 x 20	3	
007535860D1	46 'R'	WASHER Plain	3	
007536880B91	47	BUMPER Bonnet Assy	2	A/188/F08/42
000020777E05	48 'R'	NUT Flange M8	2	
007536401B92	49	LATCH Assy Utility Box	1	
001127613R1	50 'R'	RIVET Pop Head	2	
007537425B1	51 'R'	HANDLE Engine Cover	2	
007535525D1	52 'R'	SCREW Philip Pan Head M5x20	4	
007537285B1	53	HOT Air Deflector	1	A/188/F08/42
007537599B1	54	CAN Holder	1	A/188/F08/42
007537662B1	55	SCREW Self Tapping	3	A/188/F08/42

'R' - Part used on Regular Tractors

CANOPY ASSEMBLY



WINDSCREEN & WIPER ASSEMBLY

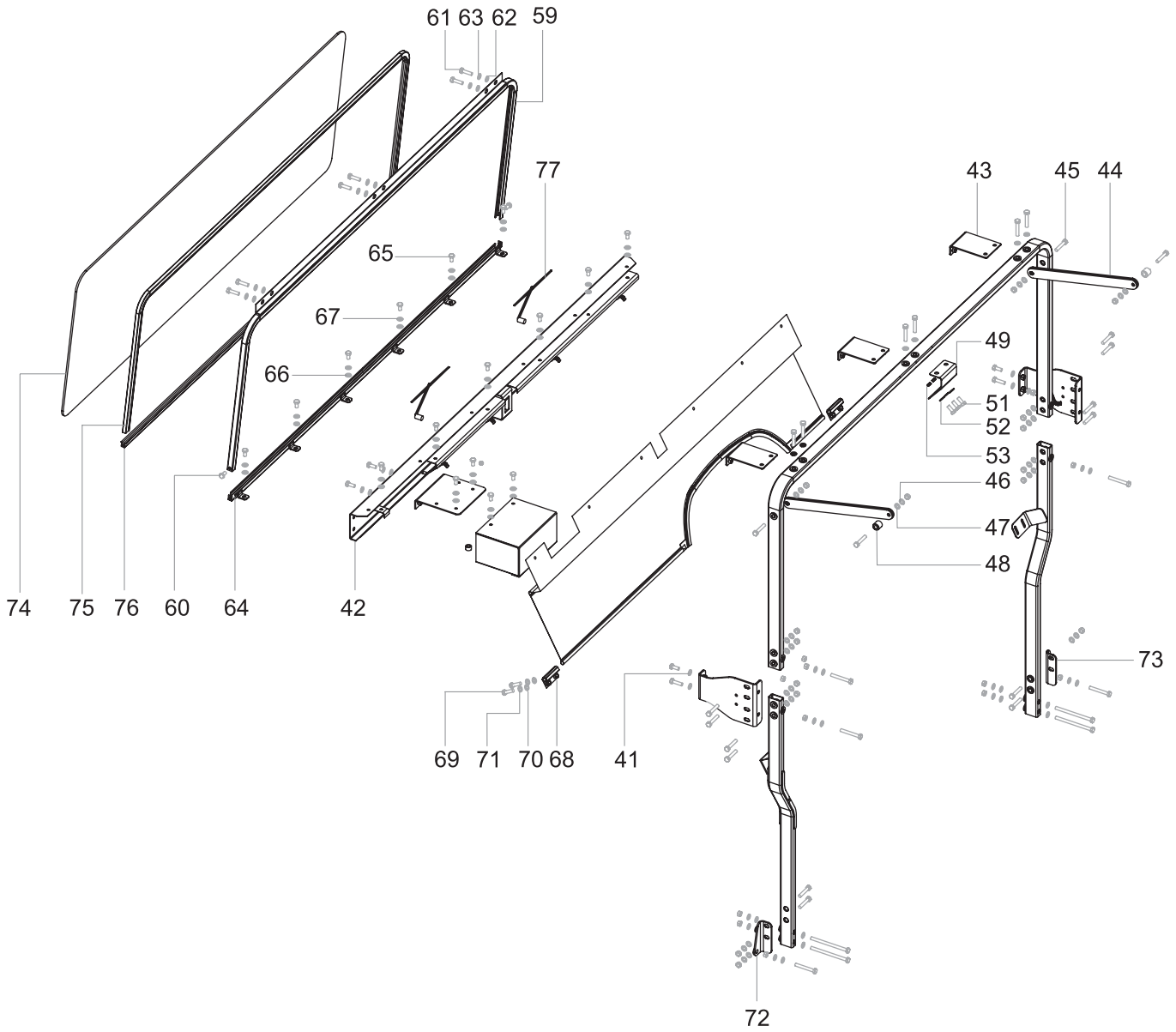


WINDSCREEN & WIPER ASSEMBLY

Part Number	Ref.	Description Of Part	Qty/ Tractor	Revised Part No./
007536971B91	1	WINDSCREEN Mtg Structure Bottom LH Assy	1	
000020254'E05	2 'R'	BOLT Hex Flange Head M8 x 45	4	
000020260'E05	3 'R'	BOLT Hex Flange Head M8 x115	2	
000020257'E05	4 'R'	BOLT Hex Flange Head M8 x 60	2	
007535860D1	5 'R'	WASHER Plain	10	
000934309R1	6 'R'	WASHER Spring M8	8	
000020777E05	7 'R'	NUT Flange M8	8	
007536991B91	8	WINDSCREEN Mtg Structure Bottom RH Assy	1	
000020254'E05	9 'R'	BOLT Hex Flange Head M8 x 45	4	
000020260'E05	10 'R'	BOLT Hex Flange Head M8 x115	2	
000020257'E05	11 'R'	BOLT Hex Flange Head M8 x 60	2	
007535860D1	12 'R'	WASHER Plain	10	
000934309R1	13 'R'	WASHER Spring M8	8	
000020777E05	14 'R'	NUT Flange M8	8	
007536974B91	15	WINDSCREEN Mtg Structure Upper Assy	1	
000020254'E05	16 'R'	BOLT Hex Flange Head M8 x 45	10	
000020257'E05	17 'R'	BOLT Hex Flange Head M8 x 60	2	
007535860D1	18 'R'	WASHER Plain	12	
001082012R2	19 'R'	WASHER Spring M8	6	
000020777E05	20 'R'	NUT Flange M8	6	
007537032B91	21	WIPER MOTOR Resting Bracket S/A	1	
000020307E05	22 'R'	BOLT Hex Flange M8 x 20	2	
000020311E05	23 'R'	BOLT Hex Flange M6x16	2	
007535860D1	24 'R'	WASHER Plain	2	
000934309R1	25 'R'	WASHER Spring M8	2	
000016559R2	26 'R'	WASHER Plain M6	2	
001233808R1	27 'R'	WASHER Spring M6	2	
007537194B91	28	WIPER MOTOR Cover Assy	1	
000020311E05	29 'R'	BOLT Hex Flange M6x16	2	
000016559R2	30 'R'	WASHER Plain M6	2	
001233808R1	31 'R'	WASHER Spring M6	2	
007536926B91	32	LOWER Screen Assy	1	
000020311E05	33 'R'	BOLT Hex Flange M6x16	6	
000016559R2	34 'R'	WASHER Plain M6	6	
001233808R1	35 'R'	WASHER Spring M6	6	
000020777E05	36 'R'	NUT Flange M8	6	
007535860D1	37 'R'	WASHER Plain	2	
007536989B91	38	SIDE Bracket Assy	2	
000020307E05	39 'R'	BOLT Hex Flange M8 x 20	2	
000020306E05	40 'R'	BOLT Hex Flange M8 x 30	2	

'R' - Part used on Regular Tractors

WINDSCREEN & WIPER ASSEMBLY



WINDSCREEN & WIPER ASSEMBLY

Part Number	Ref.	Description Of Part	Qty/ Tractor	Revised Part No./
007535860D1	41 'R'	WASHER Plain	4	
007537029B91	42	ASSY BOTTOM CHANNEL Windscreen	1	
007536986B91	43	TOP Frame Mtg Bracket Assy	3	
007537866B1	44	TIE ROD ASSY Windscreen	2	A/188/F08/42
000020254'E05	45 'R'	BOLT Hex Flange Head M8 x 45	4	
007535860D1	46 'R'	WASHER Plain	4	
000934309R1	47 'R'	WASHER Spring M8	4	
007537201B1	48	SPACER Windscreen Tie Rod	2	
007537202B1	49	CENTRAL Mirror Mtg Bracket (Only with Windscreen)	1	
007537219B91	50	CENTRAL Mirror (Only with Windscreen)	1	
000020312E05	51 'R'	BOLT Hex Flange M6 x 20	3	
000016559R2	52 'R'	WASHER Plain M6	3	
000060683M01	53 'R'	NUT Nyloc M6	3	
008000763G1	54	MIRROR For Canopy (Only with Windscreen)	1	
000020312E05	55 'R'	BOLT Hex Flange M6 x 20	2	
000016559R2	56 'R'	WASHER Plain M6	2	
000060683M01	57 'R'	NUT Nyloc M6	2	
007536983B91	59	GLASS FRAME Upper Assy	1	
000012904P04	60 'R'	SCREW Cross Recessed Pan Head M4 X 10	2	
000020306E05	61 'R'	BOLT Hex Flange M8 x 30	6	
007535860D1	62 'R'	WASHER Plain	6	
000934309R1	63 'R'	WASHER Spring M8	6	
007536982B91	64	GLASS FRAME Lower Assy	1	
000020312E05	65 'R'	BOLT Hex Flange M6 x 20	6	
000016559R2	66 'R'	WASHER Plain M6	6	
001233808R1	67 'R'	WASHER Spring M6	6	
007536903B91	68	LOWER SCREEN Holder Small LH	2	
000020307E05	69 'R'	BOLT Hex Flange M8 x 20	4	
007535860D1	70 'R'	WASHER Plain	4	
000934309R1	71 'R'	WASHER Spring M8	4	
007536647B2	72	WINDSCREEN Mtg Bracket LH	1	
007536647B2	73	WINDSCREEN Mtg Bracket RH	1	
007536984B1	74	WINDSCREEN GLASS	1	
007536985B1	75	RUBBER Bead Top	1	
007536708B2	76	RUBBER Bead Bottom	1	
007536923B91	77	WIPER Arm & Blade Assy	1	

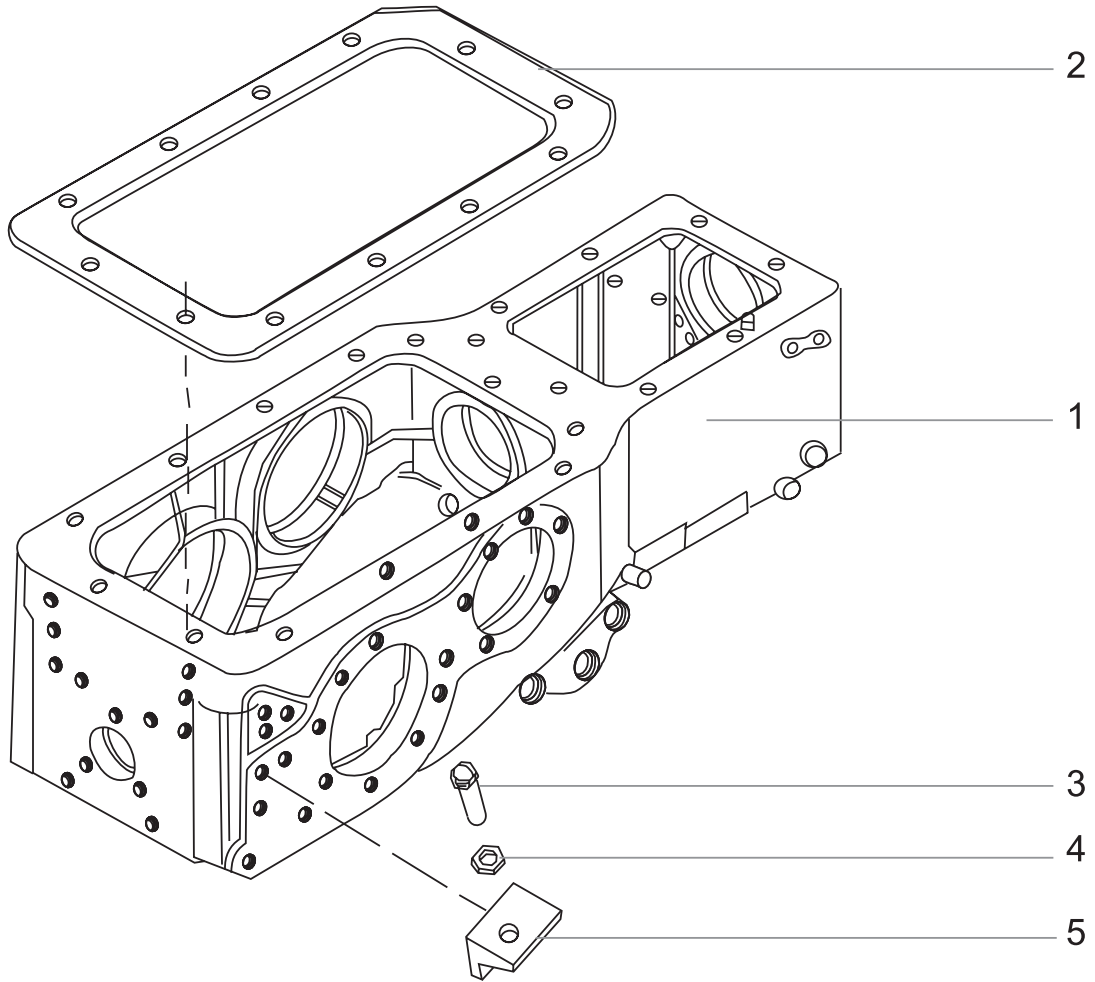
'R' - Part used on Regular Tractors

WINDSCREEN CANOPY KIT

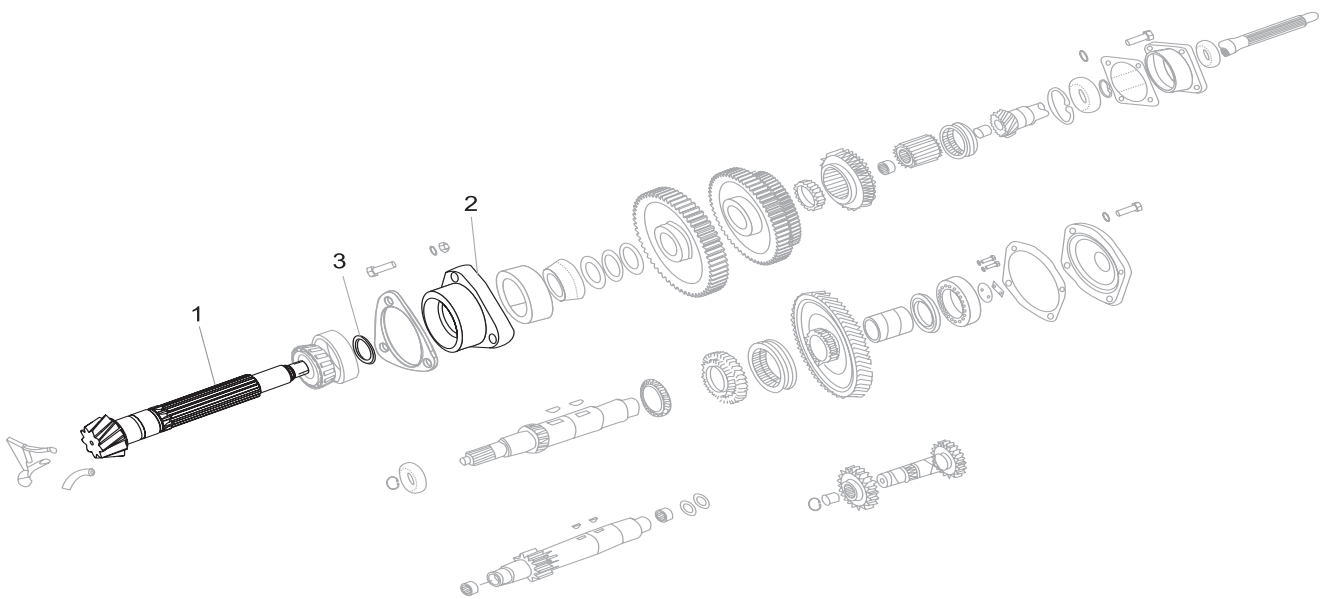
WINDSCREEN CANOPY KIT

Part Number	Ref.	Description Of Part	Qty/ Tractor	Revised Part No./
007537223B91		KIT WINDSCREEN CANOPY	1	
007536971B91		→ WINDSCREEN Mtg. Stru. Bottom LH Assy.	1	
007536991B91		→ WINDSCREEN Mtg. Stru. Bottom RH Assy.	1	
007536974B91		→ WINDSCREEN Mtg. Stru. Upper Assy.	1	
007537032B91		→ RESTING BKT S/A Wiper Motor	1	
007537194B91		→ COVER ASSY Wiper Motor	1	
007536989B91		→ SIDE BRACKET Assy.	2	
007537029B91		→ ASSY BOTTOM CHANNEL Windscreen	1	
007536986B91		→ MOUNTING BRACKET ASSY Top Frame	3	
007537866B1		→ TIE ROD ASSY Windscreen	2	A/188/F08/42
007537201B1		→ SPACER Windscreen Tie Rod	2	
007537202B1		→ CENTRAL Mirror Mtg Bkt (Only With Windscreen)	1	
007537219B91		→ CENTRAL Mirror (Only With Windscreen)	1	
008000763G1		→ MIRROR For Canopy(only With Windscreen)	1	
007537210B1		→ REAR CANOPY	1	
007536983B91		→ GLASS FRAME Upper Assy	1	
007536982B91		→ GLASS FRAME Lower Assy	1	
007536903B91		→ LOWER SCREEN Holder Small	2	A/188/F08/42
007536904B91		→ LOWER SCREEN Holder Small RH	1	
007537180 B91		→ WINDSCREEN Mtg Bkt LH	1	
007537181B91		→ WINDSCREEN Mtg Bkt RH	1	
007536689B93		→ SOFT TOP Canopy (kit)	1	
007536984B1		→ WINDSCREEN Glass	1	
007536985B1		→ RUBBER BEAD Top	1	
007536708B2		→ RUBBER BEAD Bottom	1	
007536923B91		→ WIPER Arm & Blade Assy	1	
007536926B91		→ LOWER Screen Assy	1	
000012904P04		→ CROSS Recessed Pan Head Screw M4 X 10	2	
000020311E05		→ BOLT Hex Flange M6x16	16	
000020312E05		→ BOLT Hex Flange M6 x 20	5	
000060683M01		→ NYLOC Nut M6	5	
001233808R1		→ WASHER Spring M6	10	
000016559R2		→ WASHER Plain M6	21	
000020307E05		→ BOLT Hex Flange M8 x 20	8	
000020306E05		→ BOLT Hex Flange M8 x 30	20	
000020254'E05		→ BOLT Hex Flange Head M8 x 45	22	
000020257'E05		→ BOLT Hex Flange Head M8 x 60	6	
000020792'E05		→ BOLT Hex Head M8 x 70	8	
000020260'E05		→ BOLT Hex Flange Head M8 x115	4	
000020777E05		→ NUT Flange M8	46	
000934309R1		→ WASHER Spring M8	66	
007535860D1		→ WASHER Plain 8.5x19x3	74	

TRANSMISSION CASE



TRANSMISSION GEARS & SHAFTS



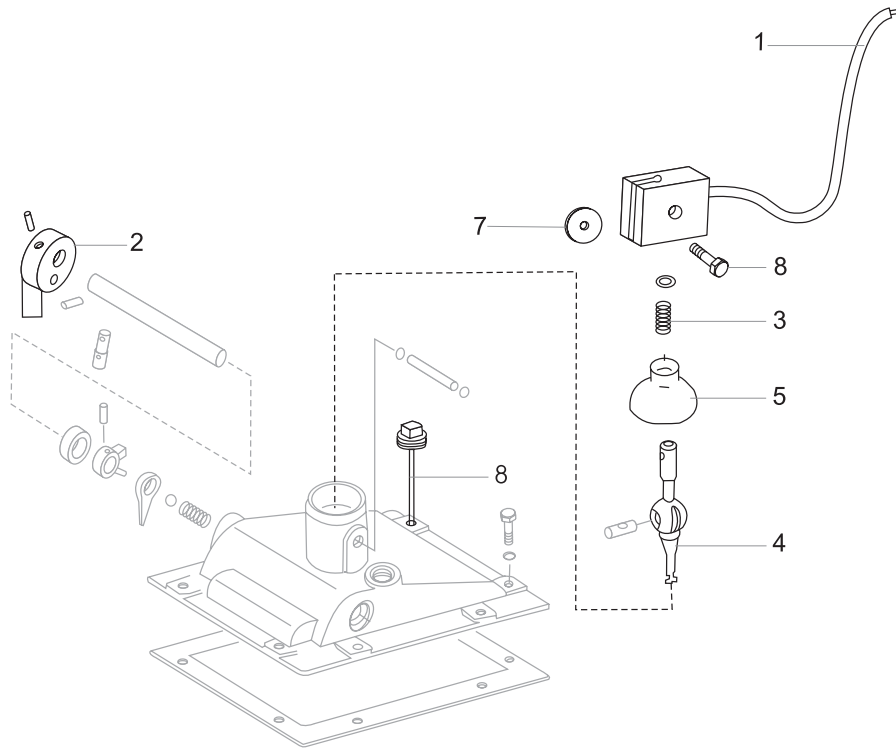
TRANSMISSION CASE

Part Number	Ref.	Description Of Part	Qty/ Tractor	Revised Part No./
TRANSACTOR	*	TRANSMISSION Skid Cpte.	1	
006504918B1	1	TRANSMISSION CASE	1	
000011757P02	2	GASKET Trans Case Cover Rear	1	
00720976B1	3	STOPPER Bolt	1	
007203036B1	4	LOCK Nut	1	
007202641B1	5	STOPPER Bracket	1	

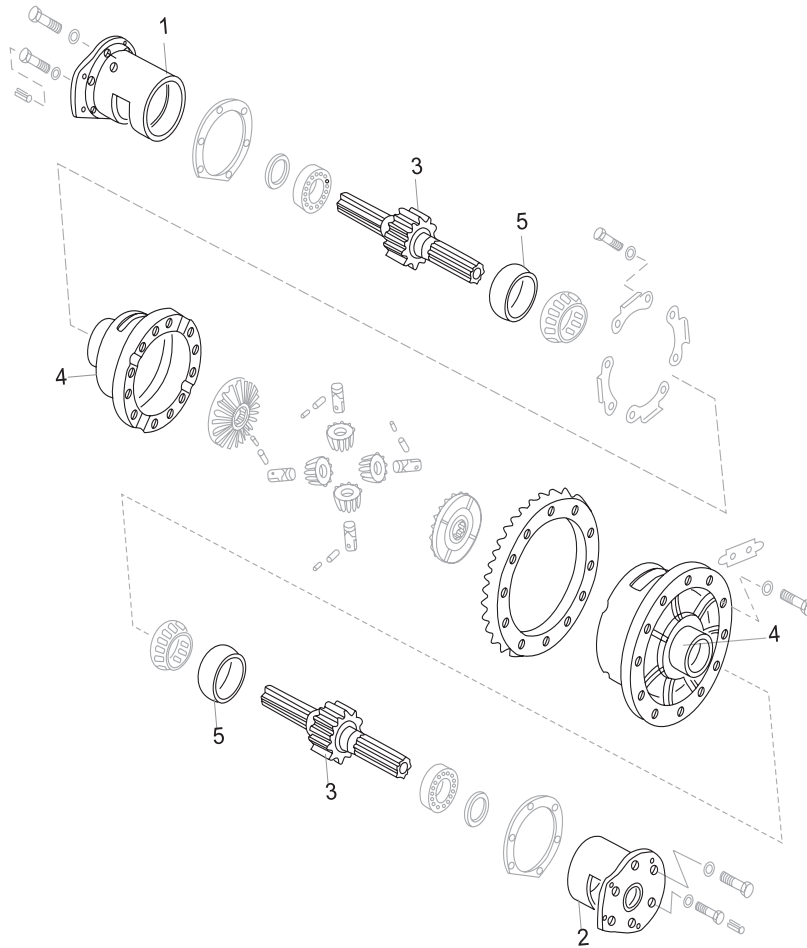
TRANSMISSION GEARS & SHAFTS

008000042G91	1	SET Of Two	1	
006503100B1	2	CAGE Trans Spline Shaft Bearing	1	
006501521B1	3	SPACER Transmission Spline Shaft T.R. Bearing	1	

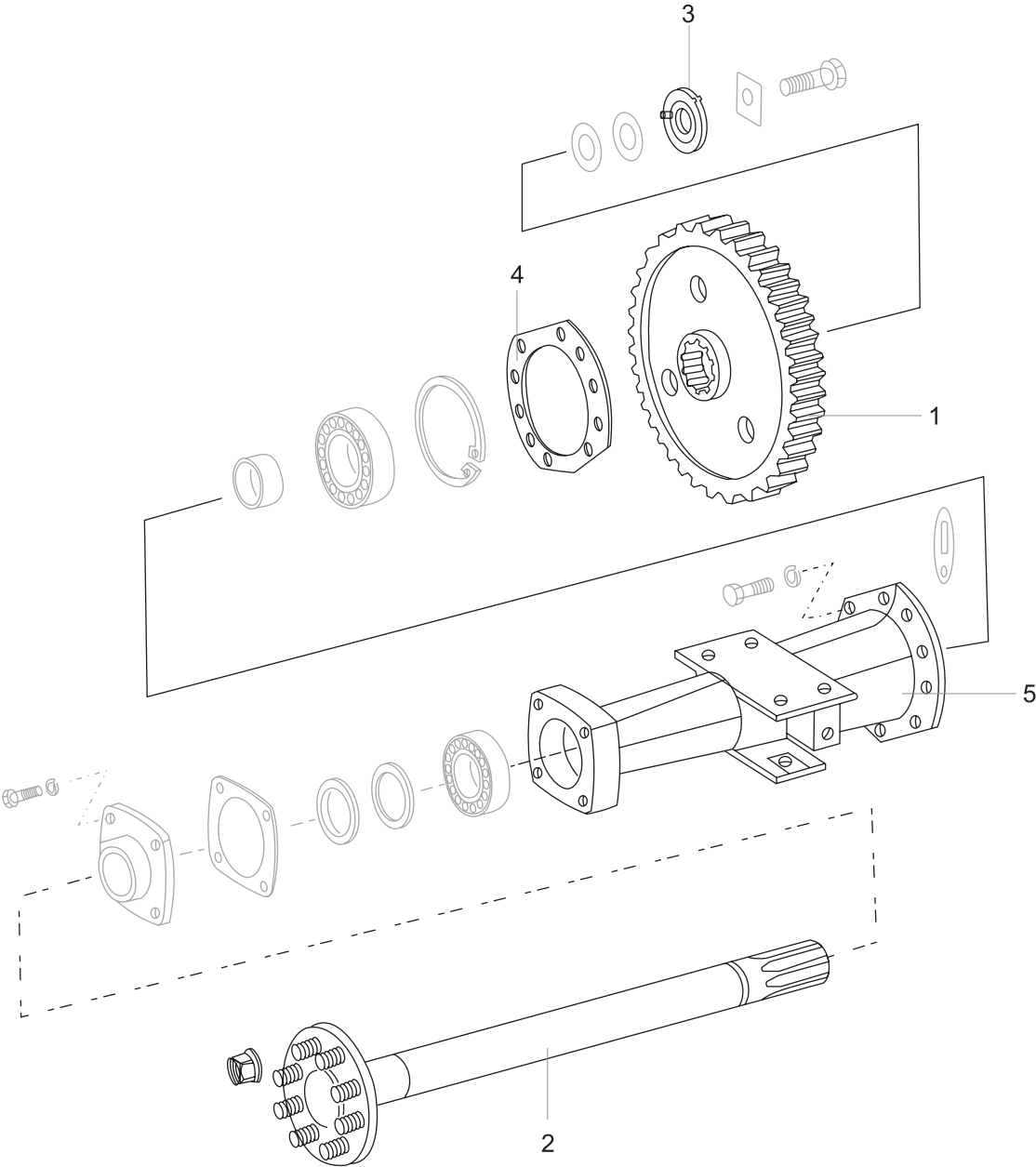
GEARS SHIFTER MECHANISM & TRANSMISSION CASE COVER FRONT



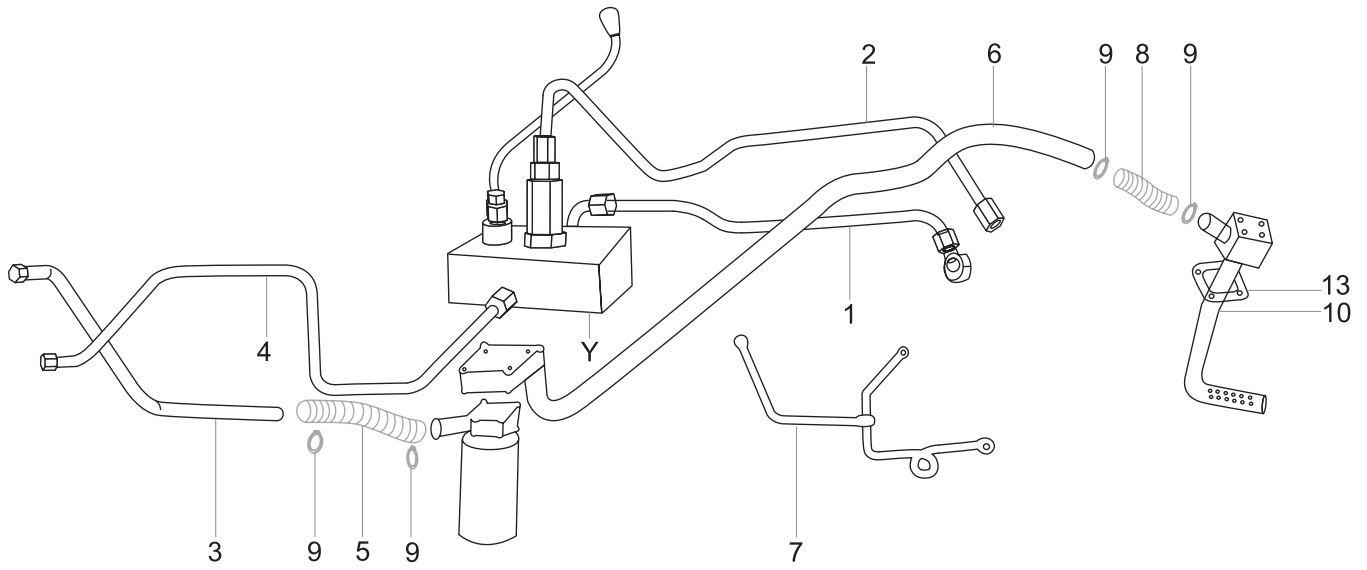
DIFFERENTIAL



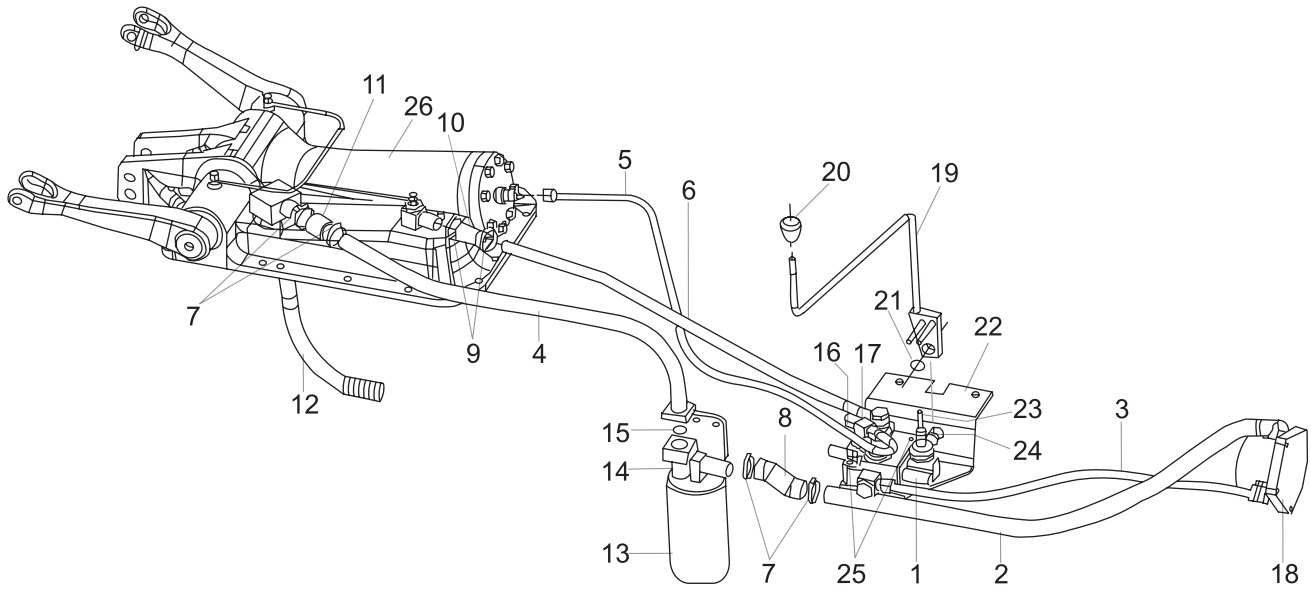
REAR AXLE CARRIER & REAR AXLE



HYDRAULIC PIPING - YUKEN VALVE



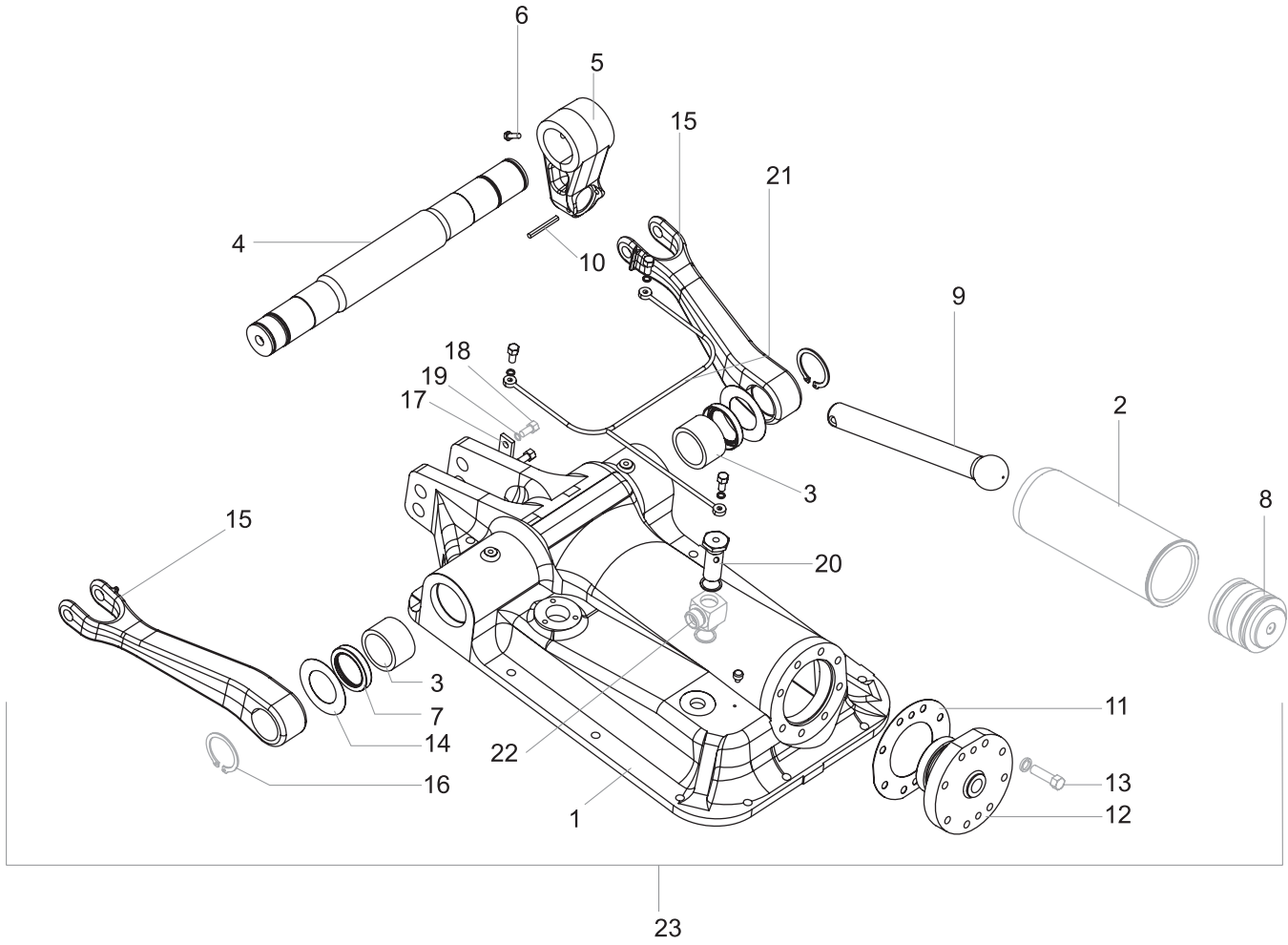
HYDRAULIC PIPING - WALVOIL CONTROL VALVE



HYDRAULIC PIPING - WALVOIL CONTROL VALVE

Part Number	Ref.	Description Of Part	Qty/ Tractor	Revised Part No./
007202934B91	1\$	CONTROL VALVE Sactor	1	
007203209B91	*	SEAL KIT - Walvoil Valve		
007203057B1	2	PIPE Pump To Filter	1	
007203059B1	3	PRESSURE PIPE Pump To Valve	1	
007203058B1	4	PIPE SUCTION Filter To Strainer	1	
007203060B1	5	PRESSURE PIPE Pump To Valve	1	
007203061B1	6	RETURN PIPE Valve To Hsg	1	
000051193D01	7	CLIP Hose	4	
007201684C1	8	Z HOSE Suction Filter	1	
005552915R91	9	HOSE Clip	2	
000051672D01	10	HOSE For Dia 18 Pipe	1	
000051191D01	11	HOSE Suction Filter	1	
007202765B1	12	SUCTION Strainer Pipe Assly	2	
000051215D01	13	SUCTION Filter	1	
000051180D01	14	SUCTION Filter Head	1	
000051188D01	15	O-RING Filter Head	1	
007203007B1	16	CLOSURE Plug For Dia 12 Pipe	1	
007203006B1	17	SWIVEL -t M20 For 12 Diapipe	1	
000020421SH	18	PUMP Cpte Hydraulic -Dowty	1	
007203040B91	19	CONTROL VALVE Lever Assly	1	
007203037B1	20	KNOB Control Valve Lever	1	
000012192P04	21	CIRCLIP External Dia 20	1	
007203034B11	22	CONTROL VALVE Mtg Bracket	1	
000020266E05	23	STUD M8 X 1.25 X 55	1	
005553017R1	24	NUT M8 X 1.25	1	
000020258E05	25	FLANGED Hex Head Bolt M8 X 1.25 X 65	2	
007202735B91	26	LIFT UNIT Assembly	1	
008000939B1	*	BOLT Banjo	1	A/188/F08/42
001082253R1	*	SCREW	2	A/188/F08/42
000706053R1	*	WASHER Spring Lock	2	A/188/F08/42
000051187D01	*	'O' Ring	1	A/188/F08/42
000051565D01	*	MANIFOLD Pressure	1	A/188/F08/42
001082252R1	*	SCREW Allen	2	A/188/F08/42
000706072R1	*	WASHER Spring Lock	2	A/188/F08/42
000377952R1	*	'O' RING	1	A/188/F08/42
000051686D01	*	STUD Coupling	1	A/188/F08/42
007200346C1	*	BOLT Banjo M20	1	A/188/F08/42
007200348C1	*	BODY Banjo M20	1	A/188/F08/42
007604159B1	*	SPRING for Z Hose	1	A/188/F08/42

HYDRAULIC PARTS



HYDRAULIC PARTS

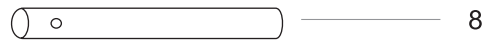
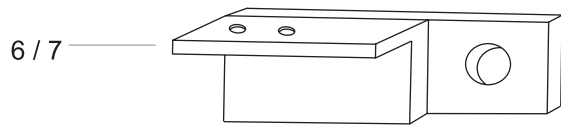
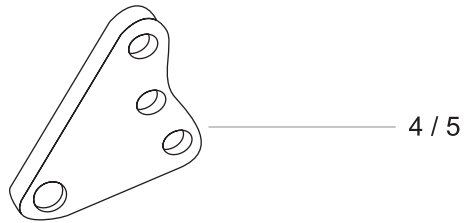
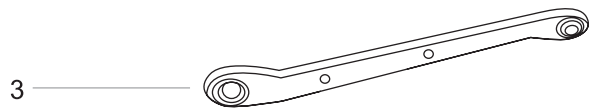
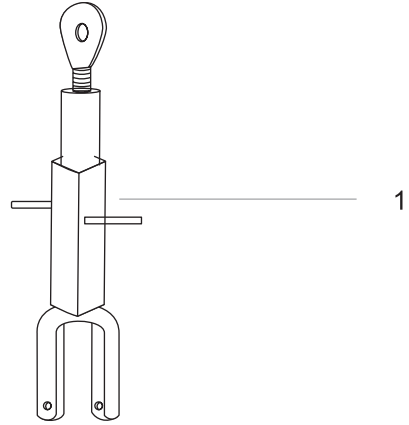
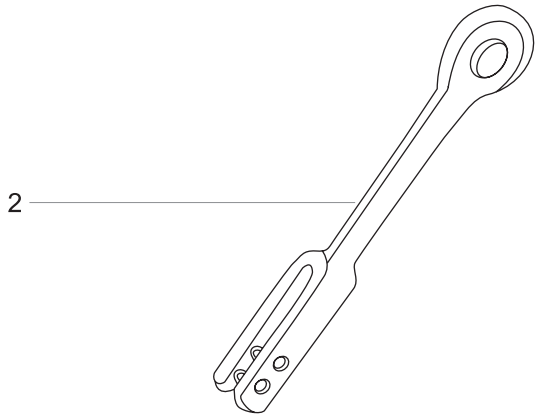
Part Number	Ref.	Description Of Part	Qty/ Tractor	Revised Part No./
007202735B91	23	LIFT Unit Assy. Cpte. Comprising of	1	
007202638B1	1	→ HOUSING Hydraulic	1	
003044434R1	2 'R'	→ HYDRAULIC Cylinder Sleeve	1	
007000009B1	3	→ BUSH Rockshaft	2	
007202635B1	4	→ ROCK SHAFT	1	
007202413C1	5	→ ROCKER Arm	1	
007000053B1	6	→ ROCKER Arm Hex Bolt	1	
007000010B1	7	→ OIL Seal	2	
000051526D01	8 'R'	→ PISTON Assembly	1	
007202636B1	9	→ CONNECTING Rod	1	
007000042B1	10	→ SPRING Dowel	1	
007202651B1	11	→ GASKET Head Cylinder	1	
007202634B1	12	→ HYDRAULIC Cylinder Head	1	
000179860	13 'R'	→ BOLT	8	
007000048B1	14	→ SHIMS	2	
007202716B1	15	→ LIFT Arm	2	
000032060B12	16 'R'	→ ROCKSHAFT Circlip	2	
007202771B1	17	→ LOCK PLATE	1	
000060387M01	18 'R'	→ BOLT Hex M8 x 15	2	
000934309R1	19 'R'	→ WASHER Spring M8	2	
008000765G1	20	→ BOLT Banjo for Return Line	1	
008000747G1	21	→ TUBE ROCKSHA8FT Lubrication	1	
007200347C1	22 'R'	→ SUCTION Port Banjo Body - Yuken Control Valve \$	1	
007200342C1	22 'R'	→ SUCTION Port Banjo Body - Walvoil Control Valve \$	1	
005554657R91	* 'R'	→ AIR Breather Assy.	1	
000051686D01	* 'R'	→ MALE STUD Coupling	1	
000704337R1	* 'R'	→ WASHER Sealing Dowty	3	
007200824C1	* 'R'	→ BANJO Bolt	3	
007202321C1	* 'R'	→ WASHER Copper	6	
000381871R1	* 'R'	→ O - Ring	1	

\$ - Yuken Control Valve is Provided on Tractor Serial No. NSS101 to NSS300

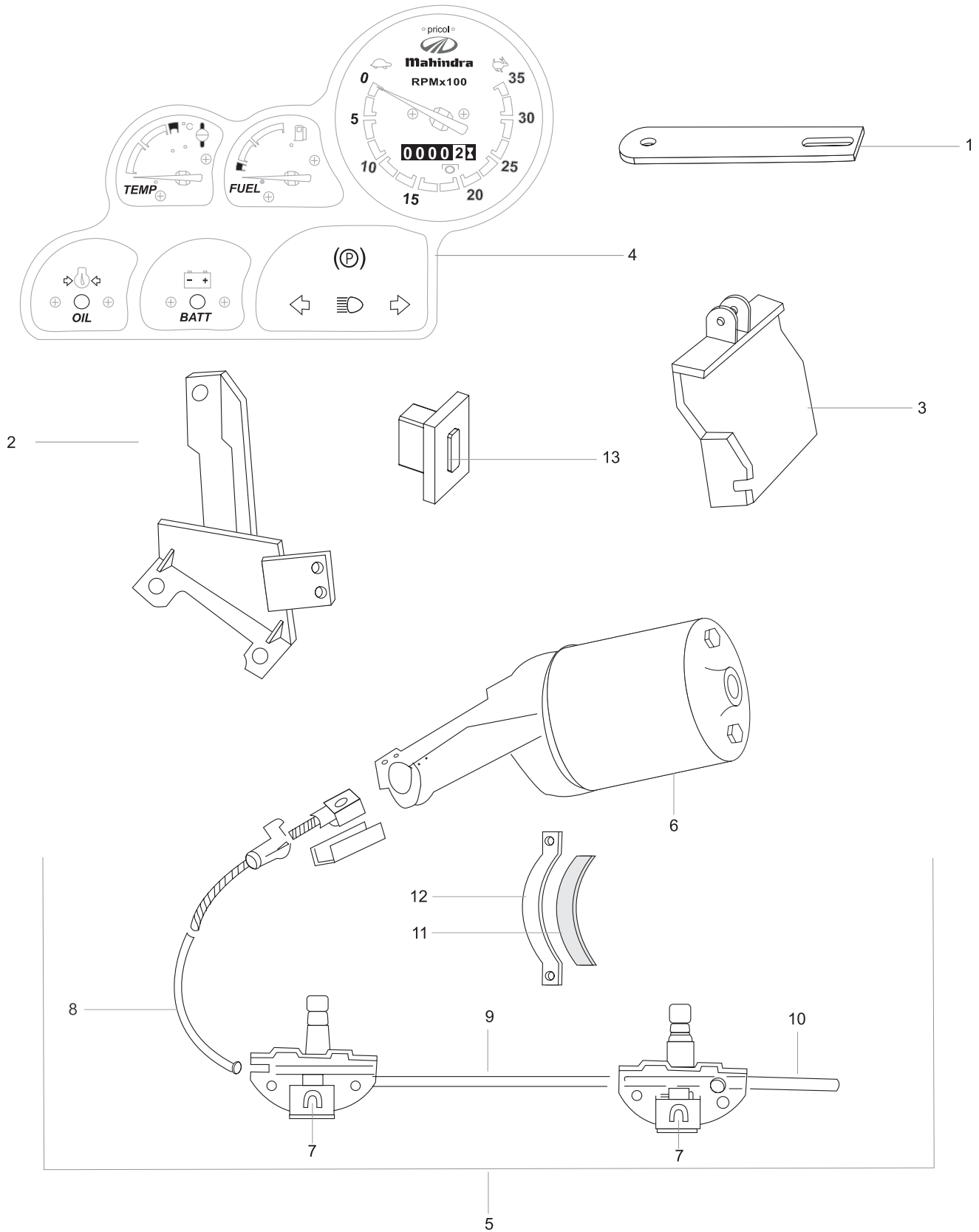
Walvoil Control Valve is Provided on Tractor Serial No. NSS301 onwards

'R' - Part used on Regular Tractors

LINKAGE THREE POINT



ELECTRICAL CPTÉ.



ELECTRICAL CPTE.

Part Number	Ref.	Description Of Part	Qty/ Tractor	Revised Part No./
000010418P02	1	BRACE Alternator	1	
000010416P02	2	BRACKET Alternator	1	
000010545P02	3	BRACKET Mounting Alternator	1	
007700693B91	4	CLUSTER Instrument	1	
007700587B91	5	WIPER MOTOR Assy. Comprising of	1	
007700587B91	6	→ WIPER MOTOR	1	A/188/F08/42
007536964B91	7	→ WHEEL Box Assy.	2	
007536961B1	8	→ TUBE Bundy (Motor to Wheel Box)	1	
007536962B1	9	→ TUBE Bundy (Wheel Box to Wheel Box)	1	
007536963B1	10	→ TUBE Bundy (Outer)	1	
007536966B1	11	→ PAD Rubber	1	
007536965B91	12	→ STRAP	1	
007700561B91	13	SWITCH Wiper Motor	1	
007700562B91	*	WIRING HARNESS Wiper Motor	1	
007700590B91	*	SIDE MARKER LAMP - Signal Lamp	1	
008000126G1	*	WIRING HARNESS Rear	1	
000010602P02	*	WIRING HARNESS Front	1	
000010599P02	*	WIRING HARNESS Main	1	
000010819P02	*	CABLE Battery to Solenoid	1	
000010820P02	*	CABLE Earth for Battery	1	
007700562B91	*	WIPER Harness Wiper Motor	1	
007700561B91	*	SWITCH Wiper Motor	1	