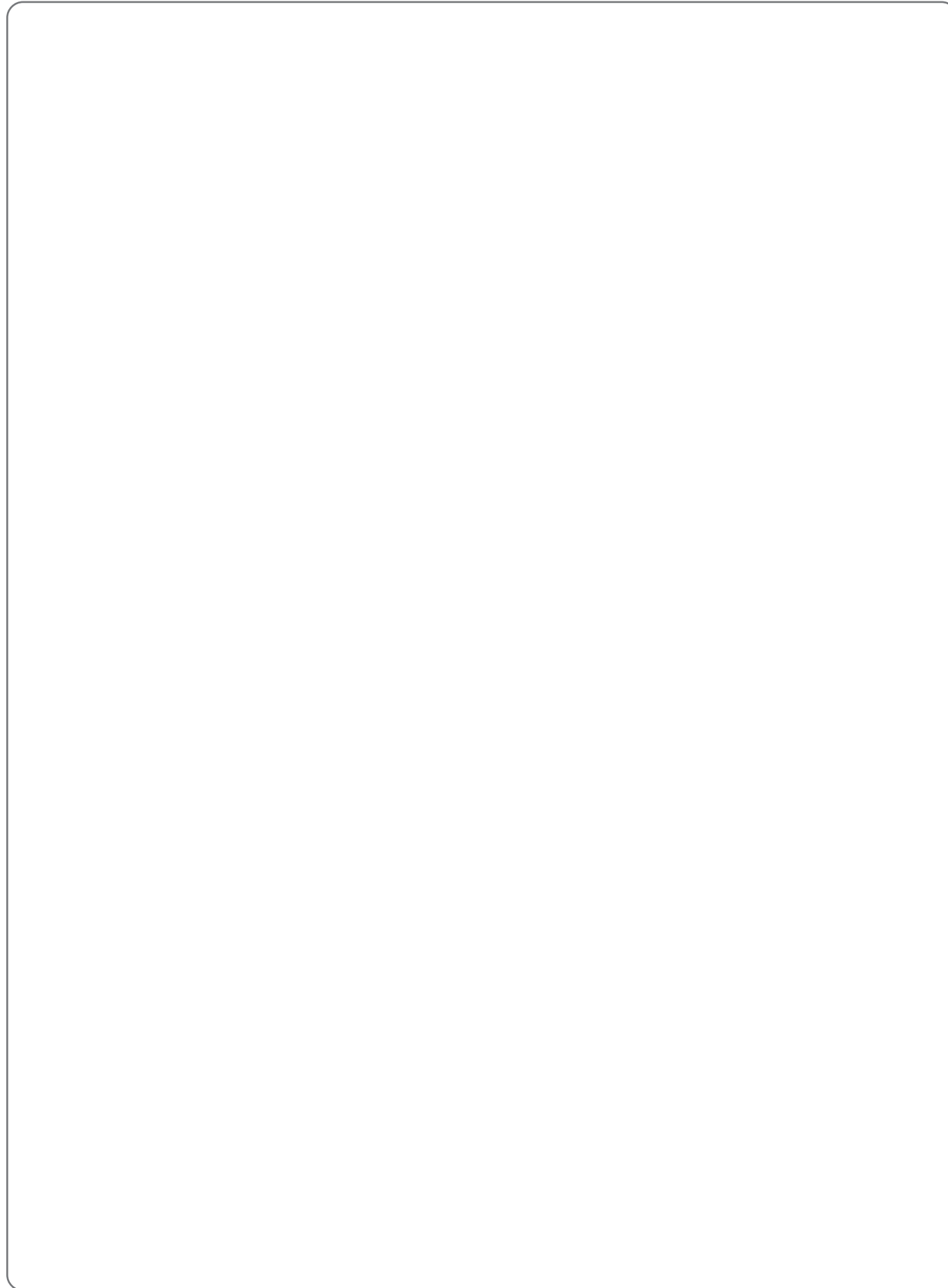
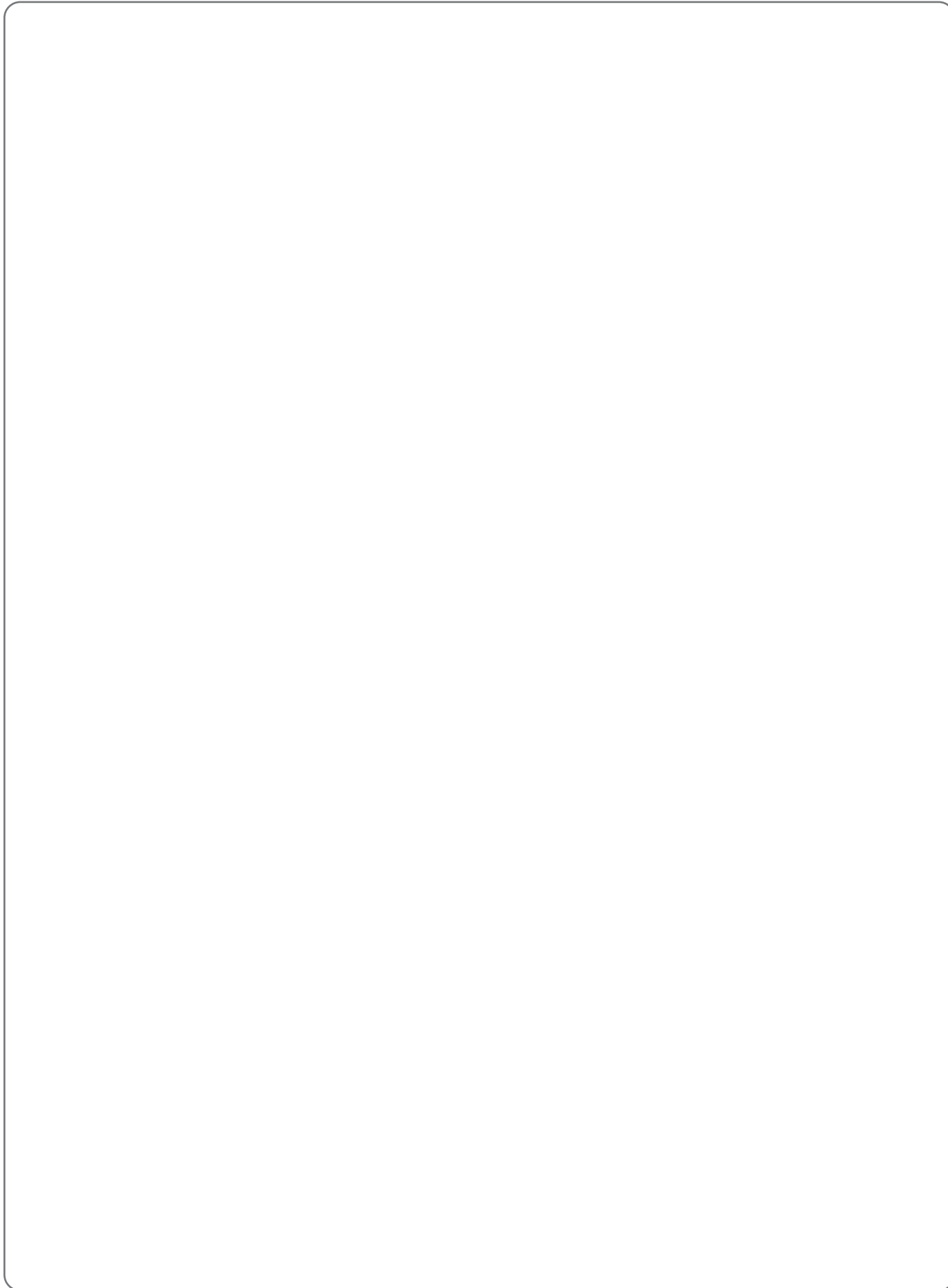


ENGINE



M&M Part Number	Ref.	Description of Part	Unit Quantity per tractor	Remarks / Service Bulletin No.
			595	
006020933B91	*	ENGINE Assembly - 595 SRILANKA	1	

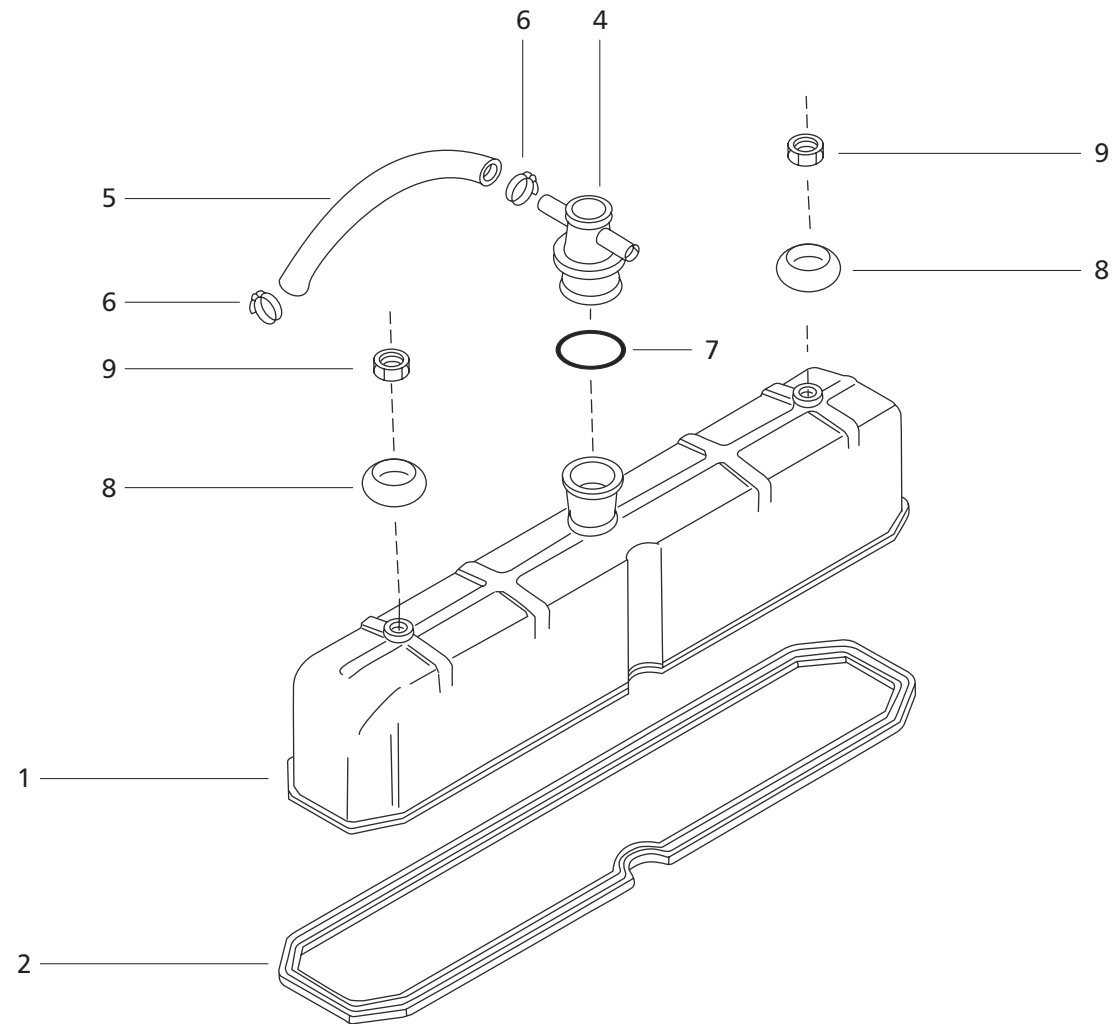
* Parts Not Illustrated



M&M Part Number	Ref.	Description of Part	Unit Quantity per tractor	Remarks / Service Bulletin No.
			595	
001231297R2	*	O-RING Sleeve Cyl-Nitrile - Black	4	
005553024R1	*	O-RING Sleeve Cylinder - Silicon	4	
005557831R1	*	GASKET Crankcase Oil Pan	1	
005550577R91	*	PACKAGE GASKET (Engine) Top Overhaul	1	
006002023B1	*	▶ GASKET Valve Housing Cover	1	
006000318B1	*	▶ GASKET Exhaust Manifold	2	
000022039RD	*	▶ GASKET Cylinder Head	1	
001233545R1	*	▶ GASKET Thermostat Housing	1	
003065125R2	*	▶ GASKET Thermostat Housing Cover	1	
005555211R1	*	▶ GASKET Crankcase Front Cover	1	
005555212R1	*	▶ GASKET Crankcase Front Plate	1	
005557831R1	*	▶ GASKET Crankcase Oil Pan	1	
006001821A1	*	▶ GASKET Water Pump - High Discharge	1	
006001381B1	*	▶ GASKET Intake Manifold	1	
000708907R1	*	▶ GASKET Crankcase Rear Oil Seal Retainer	1	
001081753R2	*	▶ GASKET Lub Oil Filter Base	1	
005554390R1	*	▶ GASKET Injection Pump Gear Cover	1	
001081618R1	*	▶ GASKET Crankcase Drain Plug	1	
000703851R2	*	▶ GASKET Hydraulic Pump Opening Cover	1	

* Parts Not Illustrated

Valve Housing Cover

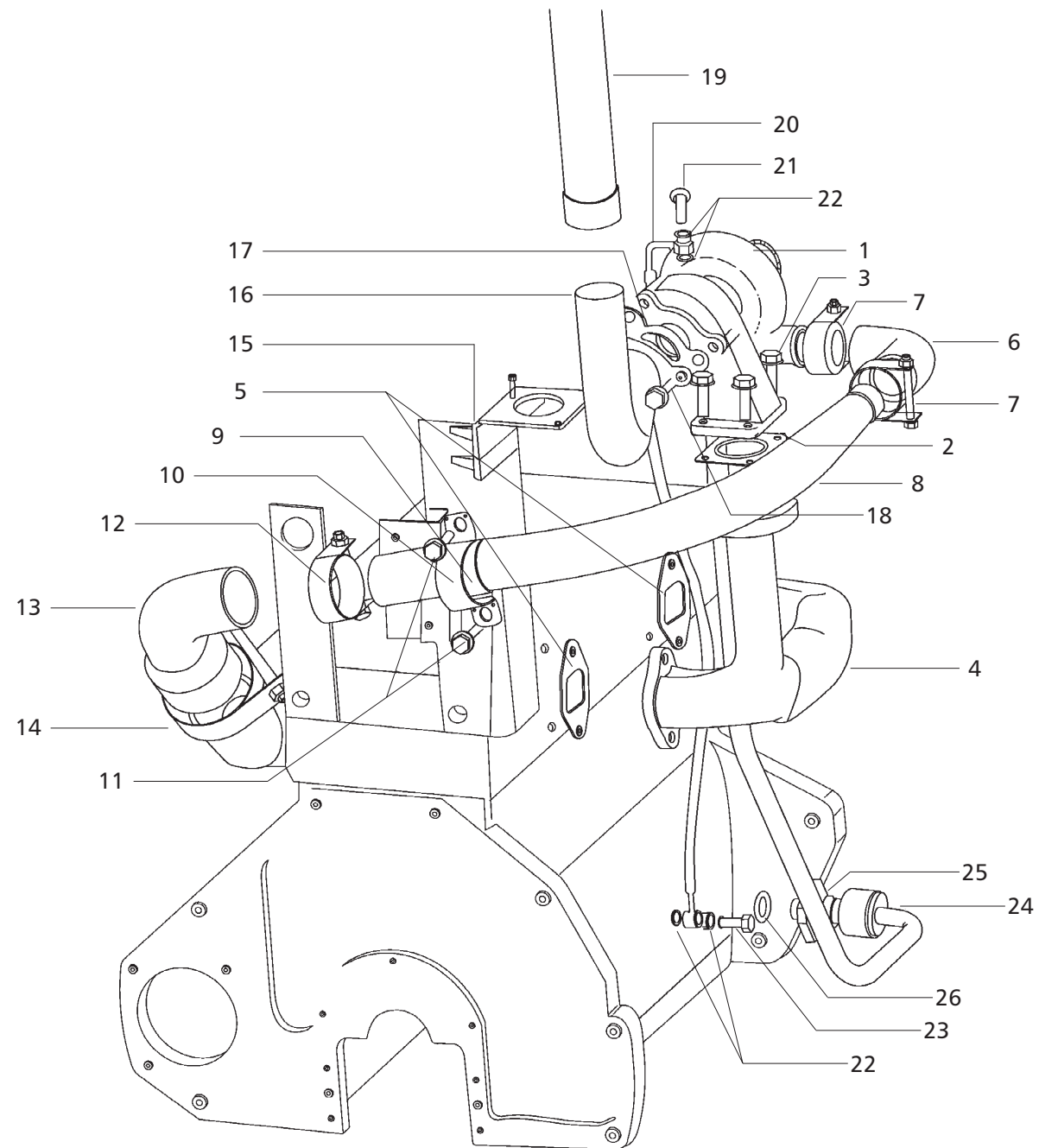


Valve Housing Cover

M&M Part Number	Ref.	Description of Part	Unit Quantity	Remarks / Service Bulletin No.
			per tractor 595	
005557148R91	1	COVER Cpte. Valve Housing	1	
006002023B1	2	GASKET Valve Housing Cover	1	
005556202R91	3	SUB ASSY Breather Cap Comprising of	1	
006002025A2	4	▶ CAP Oil Filler with Oil Seal	1	
006002611F1	5	▶ TUBE Oil Emanation	1	
005552915R91	6	▶ CLIP Hose Worm Type	1	
005553101R2	7	▶ SEAL Oil Filler Cap	2	
006008030B1	8	WASHER SEAL	2	
000022055RD	9	NUT Valve Housing Cover M10 x 1.5	4	
006004511B1	*	CLIP for Blow Bye Breather Pipe	4	

* Parts Not Illustrated

Turbo 4 Exhaust System (Updraft)

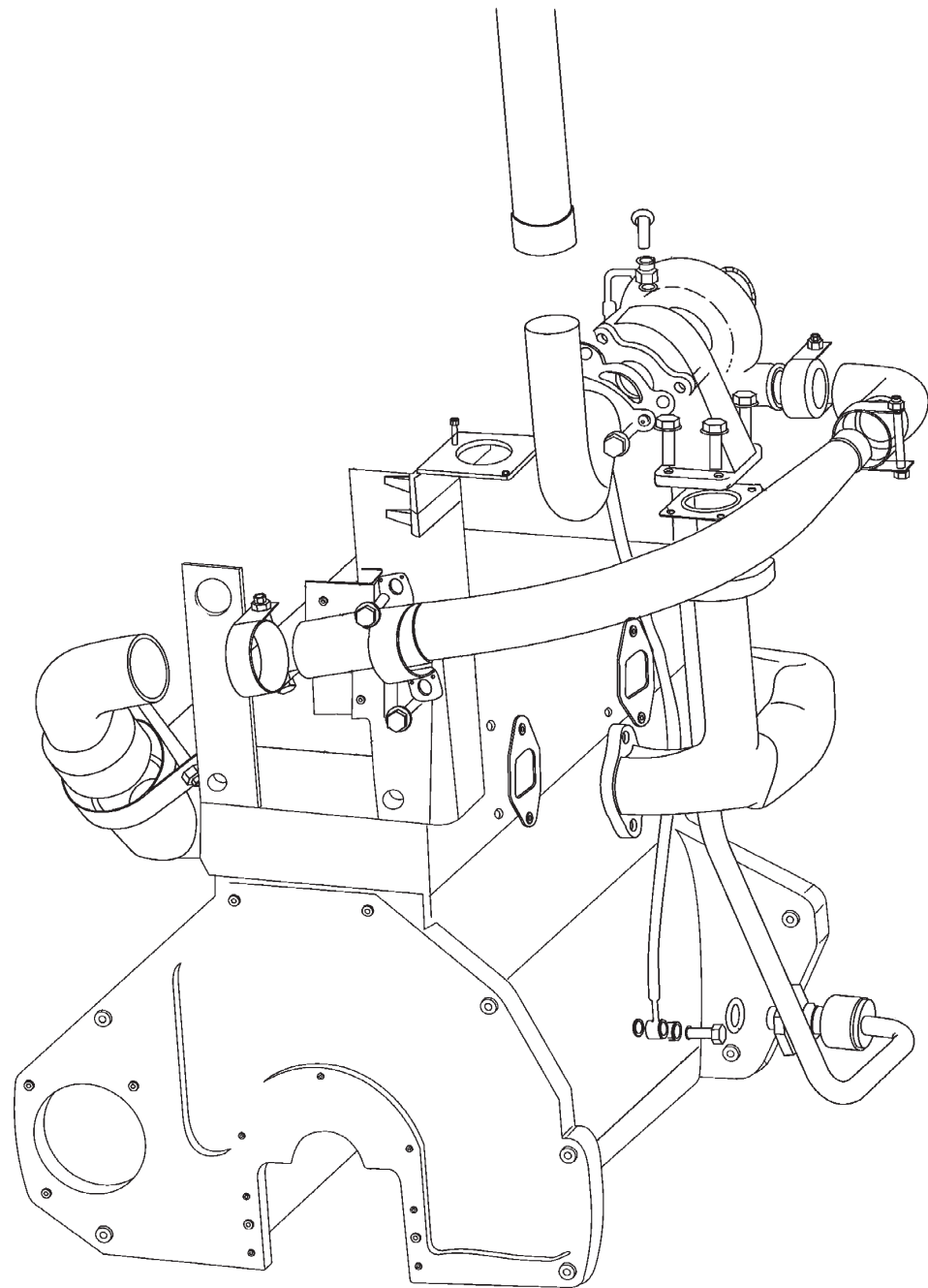


Turbo 4 Exhaust System (Updraft)

M&M Part Number	Ref.	Description of Part	Unit Quantity	Remarks / Service Bulletin No.
			per tractor 595	
006015532B1	1	TURBOCHARGER Assembly (TATA Holset)	1	
006000317B1	2	GASKET Metal - Exhaust Manifold & TC	1	
000020309E05	3	BOLT Flanged M8 x 1.25 x 30	4	
006000313B1	4	MANIFOLD Exhaust	1	
006000318B1	5	GASKET Exhaust Manifold & Cylinder Head	2	
006000314B1	6	HOSE T.C to Air Intake Pipe	1	
006001210B1	7	CLIP Hose - T.C to pipe dia 46	2	
006000741B1	8	PIPE Air Intake Mqnifold - TC	1	
006001347B1	9	RUBBER PAD	1	
006001165B1	10	CLAMP TC Pipe	1	
000000066	*	BOLT	1	
001082011R2	*	SPECIAL Lock Lever	1	
000120375	*	NUT	1	
000020308E05	11	BOLT M8 x 1.25 x 20L	2	
006001232B1	12	CLIP HOSE , dia 54	1	
006000747B1	13	HOSE , Pipe to Intake Manifold	1	
006001209B1	14	CLIP Hose Air Intake dia 76	1	
006000745B1	15	BRACKET SUPPORT Stub Pipe	1	
006000315B2	16	STUB PIPE Exhaust T.C. Outlet	1	
006000319B1	17	GASKET Metal - Exhaust Pipe & TC	1	
000020307E05	18	BOLT Flanged M8 x 1.25 x 25L	3	
E006001900B91	19	SILENCER Cpte, Turbocharger	1	
006000320B91	20	PIPE Cpte Lub. Oil Inlet (TATA HOLSET)	1	
006001299B1	21	BOLT BANJO M10 x 1.25 (Turbo End)	1	
000000017	22	WASHER Copper M10	4	
001081723R1	23	BOLT BANJO M10 x 1.5 (Crankcase End)	1	
007606264B11	24	HOSE Cpte Lube Oil outlet	1	
005552904R1	25	ADAPTOR Reservoir Suction Port	1	
005552905R1	26	WASHER Copper M18	2	
006000744B1	*	GASKET Lube Oil Outlet	1	
000020311E05	*	BOLT Flanged Hexagonal Head M6 x 1 x 15	2	
005550174R1	*	TEE JOINT Oil Pressure & FIP	1	

* Parts Not Illustrated

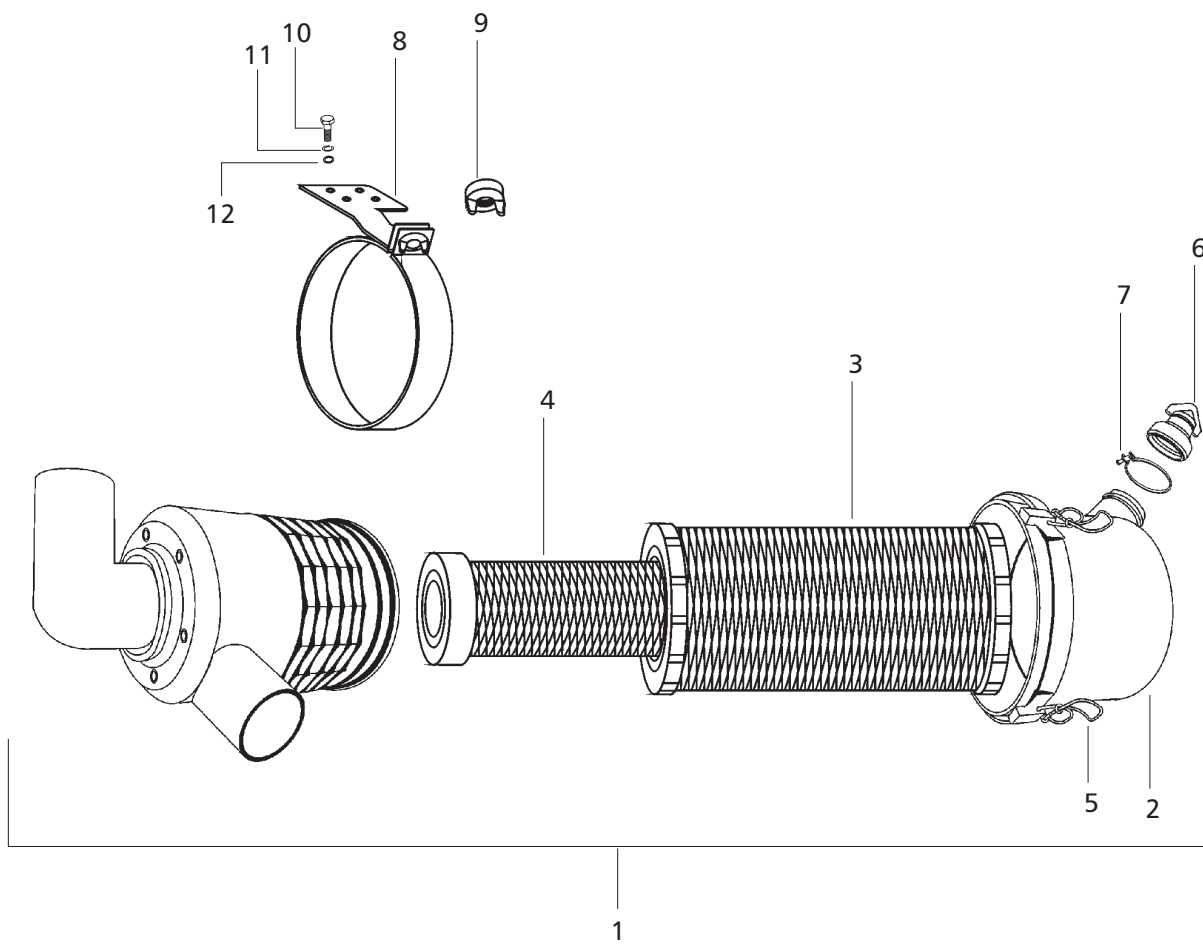
Turbo 4 Exhaust System (Updraft)



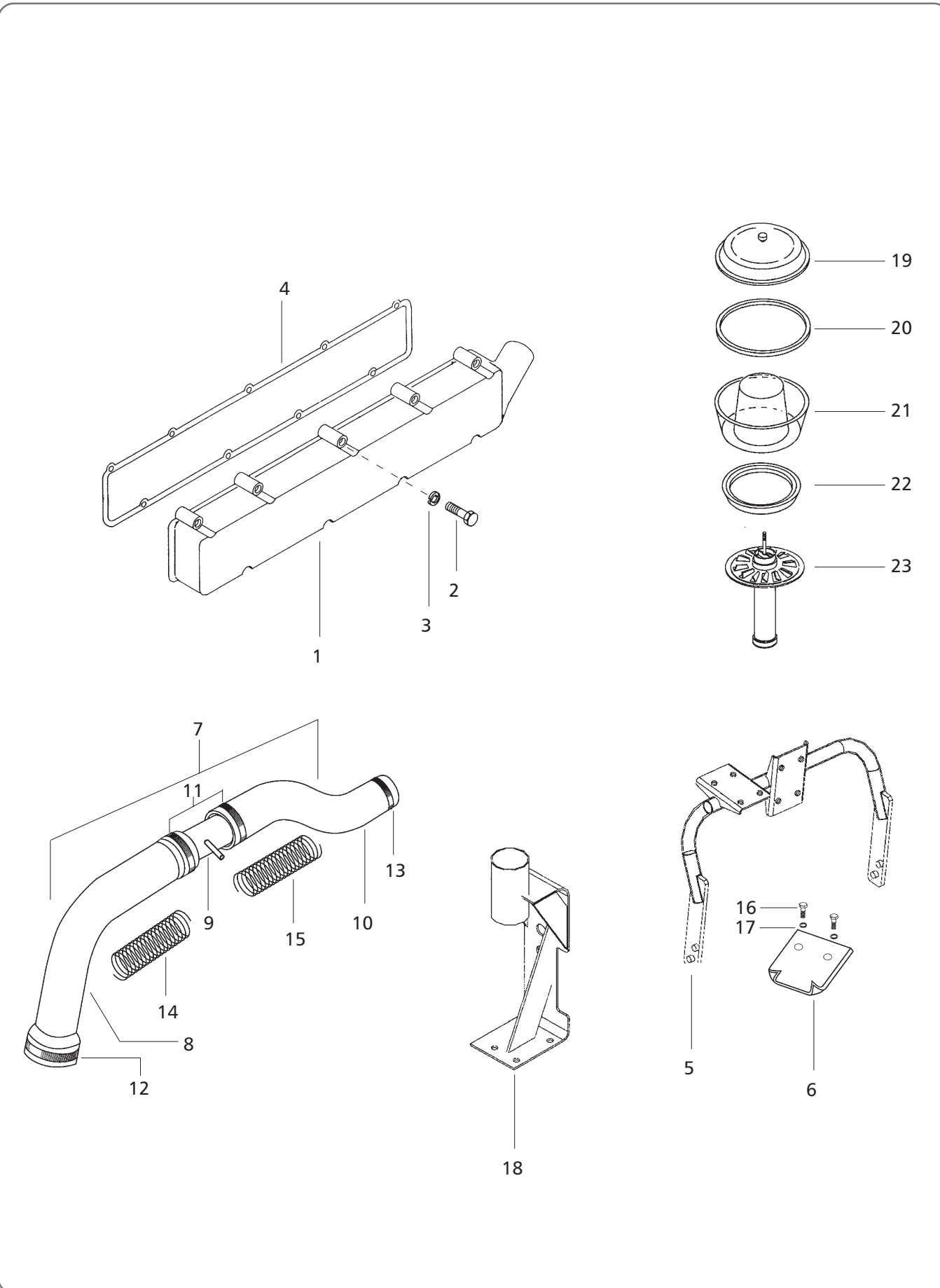
Turbo 4 Exhaust System (Updraft)

M&M Part Number	Ref.	Description of Part	Unit Quantity per tractor	Remarks / Service Bulletin No.
			595	
001233808R1	*	WASHER M6	2	
000179817	*	BOLT M10 x 1.5 x 20	1	
000022079RD	*	WASHER Plain M10	1	
005555988R1	*	WASHER Spring Lock M10	1	
007700169B1	*	METER Service	1	
000022208RD	*	ADAPTOR Lub Oil Inlet Hose	1	
001081723R1	*	BOLT Banjo M10 x 1.5 (Crankcase end)	1	
000000017	*	WASHER Copper M10	2	
006001164B1	*	U-BOLT	1	
006001146B11	*	BRACKET SUPPORT Pipe air intake	1	

* Parts Not Illustrated



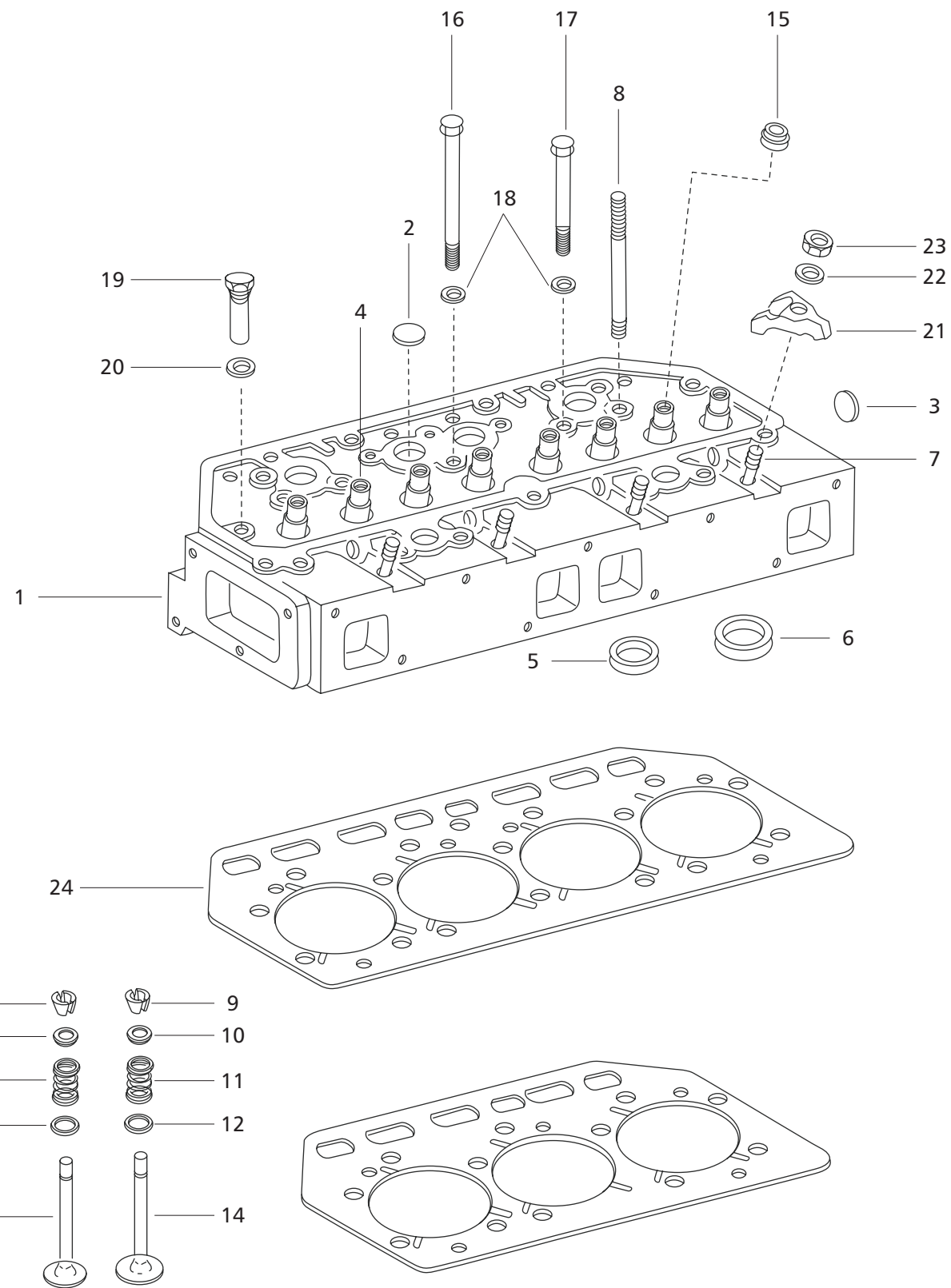
M&M Part Number	Ref.	Description of Part	Unit Quantity per tractor	Remarks / Service Bulletin No.
			595	
006001512B91	1	ASSY. OF AIR CLEANER	1	
006000489F1	2	▶ COVER	1	
006000455F1	3	▶ PRIMARY Air Filter	1	
006000456F1	4	▶ SAFETY Air Element	1	
006000491F1	5	▶ LATCH Assy. (Cover to Body)	1	
006000490F1	6	▶ DUST Unloader	1	
006000492F1	7	▶ CLIP Dust Unloader	1	
007600652B91	8	▶ AIR CLEANER Bracket	1	
000061197M01	9	▶ NUT Wing M6	1	
000022206RD	10	BOLT M6 x 16	4	
001233808R1	11	WASHER Spring Lock M6	4	
000060685M01	12	WASHER Plain M6	4	



M&M Part Number	Ref.	Description of Part	Unit Quantity	Remarks / Service Bulletin No.
			per tractor	
			595	
000022177RD	1	MANIFOLD Air Intake Cold Start	1	
000022061RD	2	BOLT Intake Manifold Mtg. M8	9	
001082011R2	3	WASHER M8 Spring Manifold Mtg.	9	
006001381B1	4	GASKET Intake Manifold - 4 DI	1	
007600648B91	5	BRACKET for Dry Aircleaner Mounting	1	
007601553B1	6	LOCK PLATE for Dry Aircleaner Bracket	2	
006000750B91	7	HOSE Assy. Air Intake	1	
‡	8	HOSE Front (TT)	1	
‡	9	METAL PIPE	1	
‡	10	HOSE Rear (TT)	1	
‡	11	CLIPS	2	
006001209B1	12	CLIP HOSE Air Cleaner Dia. 76	1	
006001232B1	13	CLIP HOSE Air Cleaner Dia. 54	1	
‡	14	SPRING Hose Front	1	
‡	15	SPRING Hose Rear	1	
001233891R1	16	BOLT M10 x 1.5 x 30H x HX for Lock Plate	4	
000120394	17	WASHER Plain	4	
007600696B91	18	BRACKET Air precleaner Mtg.	1	
006002312A91	A	PRE-CLEANER Assly. Cpte.	1	
001099986R11	19	▶ TOP COVER	1	
001233076R1	20	▶ RUBBER RING Top	1	
001099988R2	21	▶ DUST COLLECTOR	1	
001233077R1	22	▶ RUBBER RING Bottom	1	
005550403R11	23	▶ BOTTOM DISC	1	

‡ Not Serviceable Separately

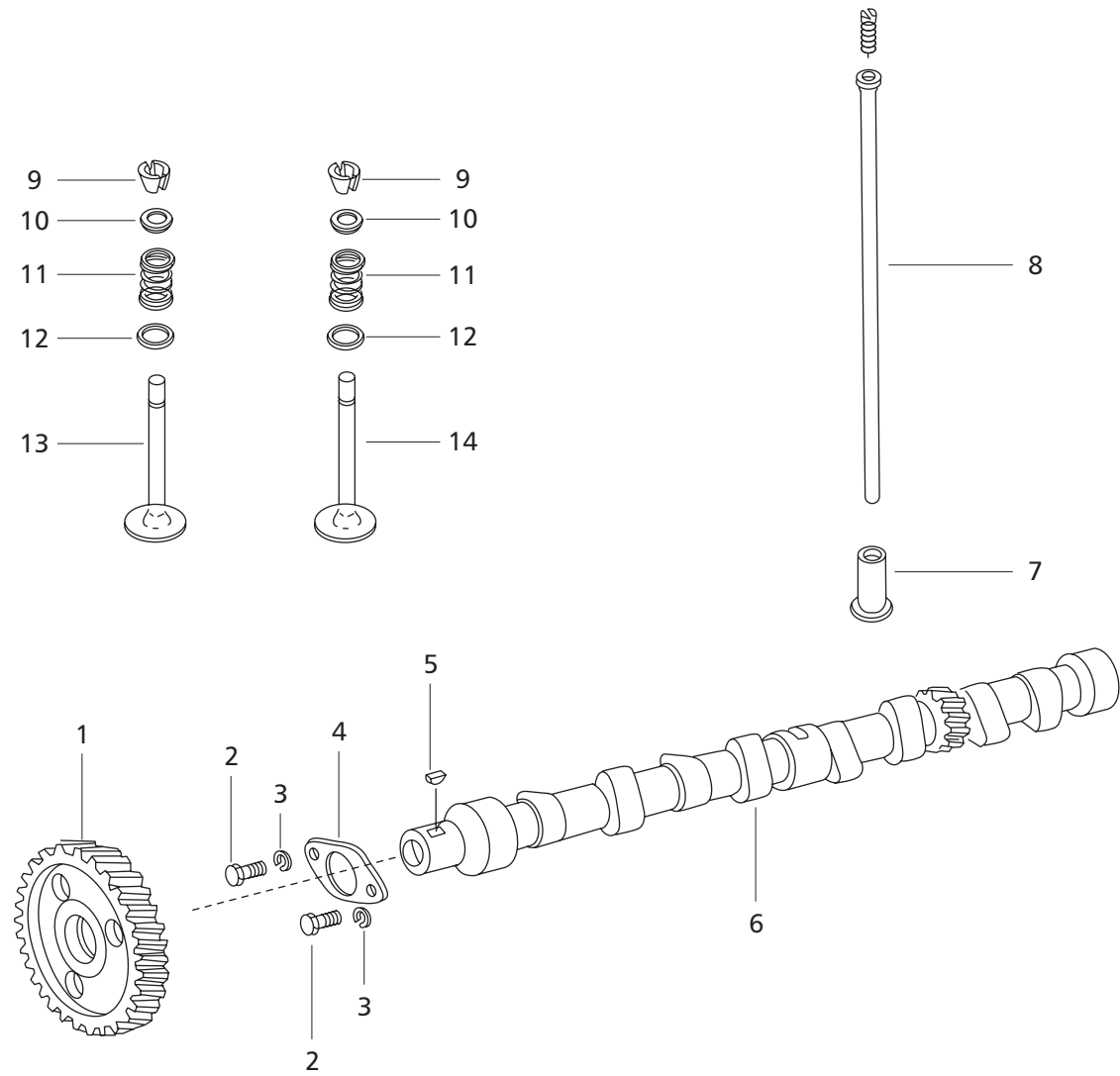
Cylinder Head Assembly



Cylinder Head Assembly

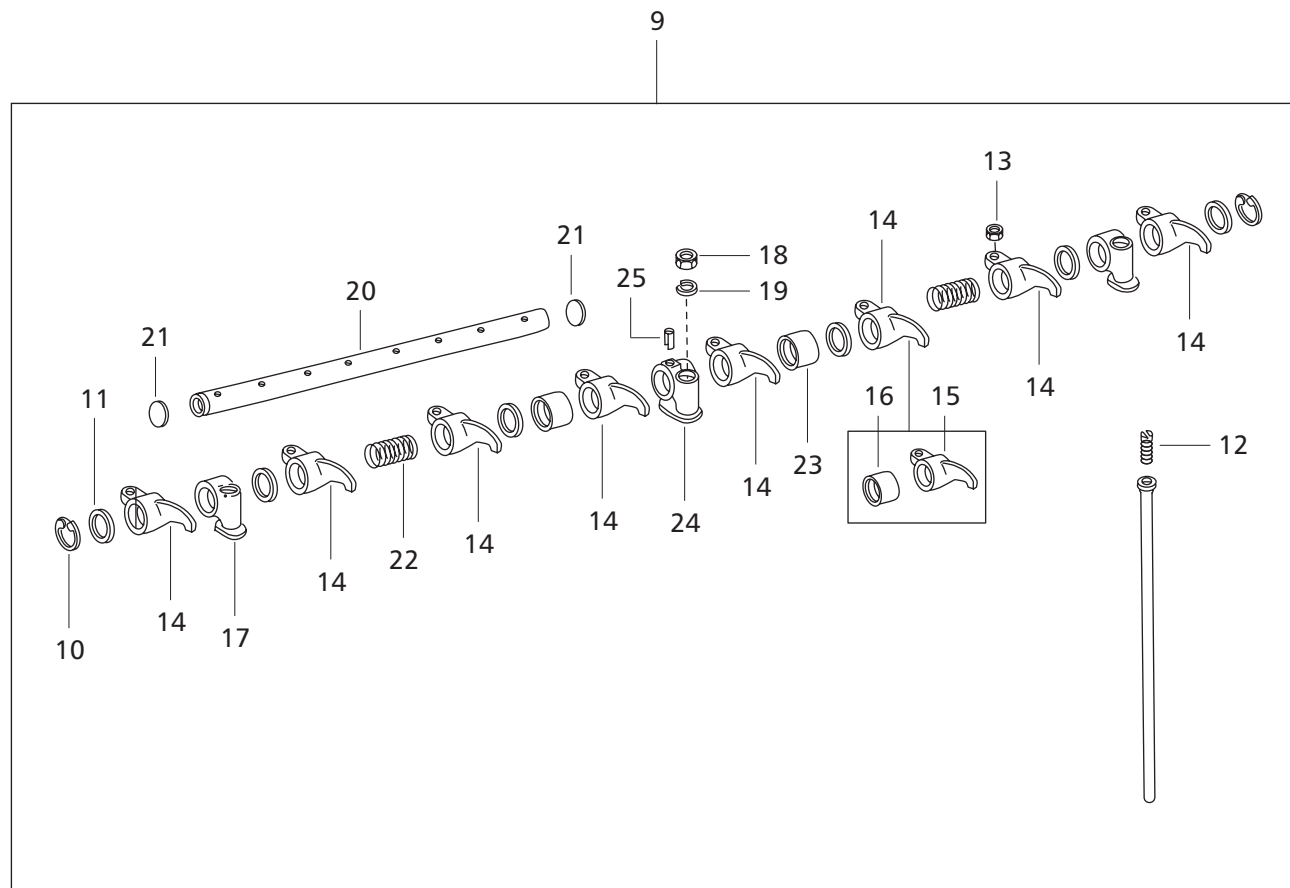
M&M Part Number	Ref.	Description of Part	Unit Quantity	Remarks / Service Bulletin No.
			per tractor	
			595	
006017543B92	1	CYLINDER HEAD 4DI New Compact	1	
006014787B1	2	▶ PLUG Expansion 1-1/4	6	
000172578	3	▶ PLUG Expansion 1-3/4	1	
000022265RD	4	▶ GUIDE Valve	8	
006000362R1	5	▶ RING Valve Seat Intake	4	
006000363R1	6	▶ RING Valve Seat Exhaust	4	
000020266E05	7	▶ STUD Injection Nozzle Holder	4	
000022052RD	8	▶ STUD Rocker Shaft End Bracket	2	
000022202E13	*	CYLINDER HEAD Cpte w/o Valves	1	
005555185R91	*	SET Valve Engine (Intake / Exhaust) Comprising of	4	
005557659R1	13	▶ VALVE Intake - (SHRIRAM)	4	
006001620B1	14	▶ VALVE Exhaust - (SHRIRAM)	4	
005550349R91	15	SEAL Valve Stem	8	
005554989R1	16	BOLT	1	
005554988R1	17	BOLT Cylinder Head Short	15	
001082185R2	18	WASHER Bull Pinion Bearing	16	
005551426R2	19	SENSOR Unit Water Temp	1	
005550766R3	20	WASHER Temp Gauge Insert	1	
008000010F1	21	CLAMP Nozzle Holder 738DI	4	
000020289E05	22	WASHER Injection Clamp	4	
000020777E05	23	NUT Hex. Fl. M8 x 1.25 x 8.7 x 8	4	
000022039RD	24	GASKET Cylinder Head	1	
000022289RD	*	PLUG Water Jet	4	

* Parts Not Illustrated



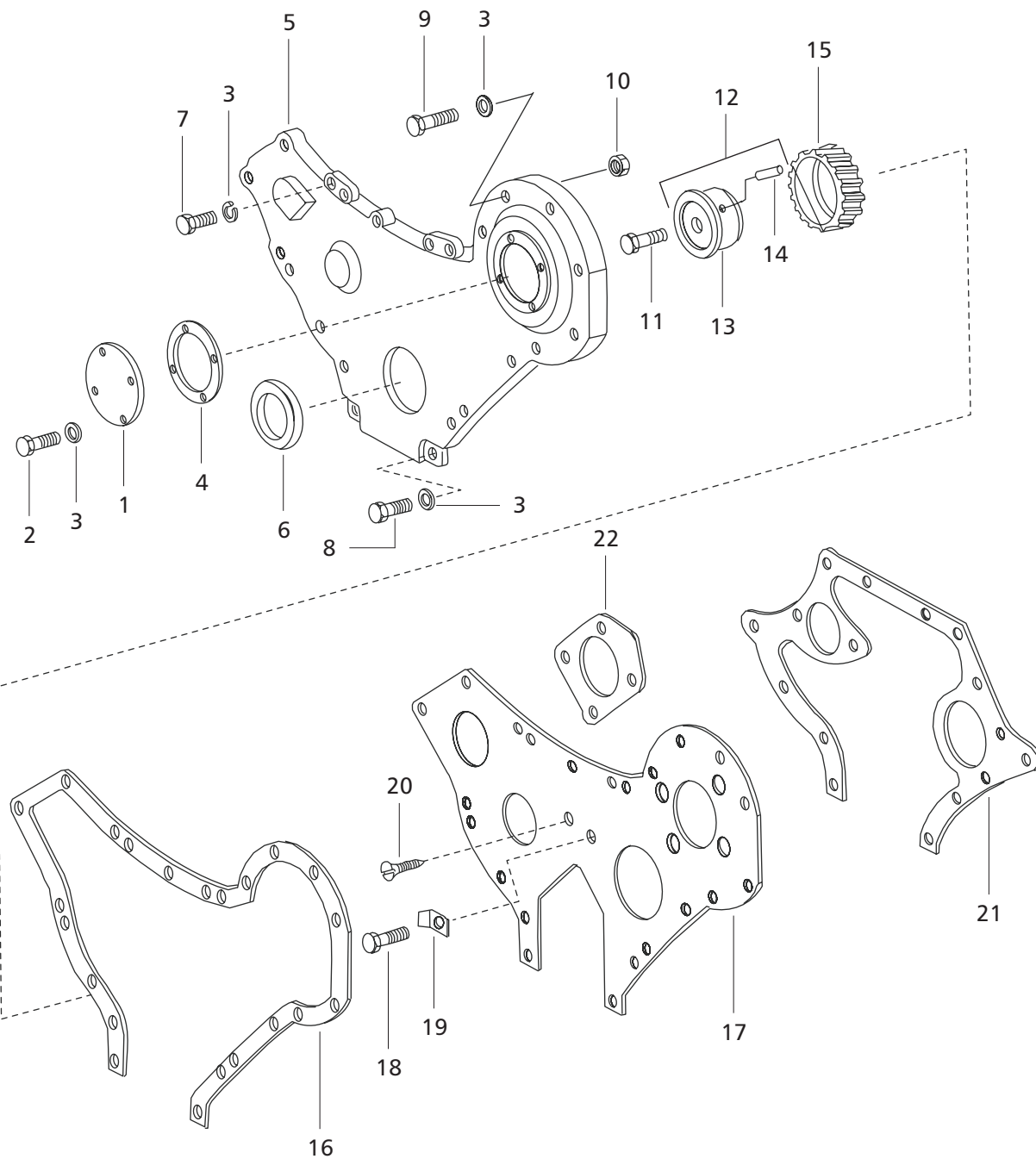
M&M Part Number	Ref.	Description of Part	Unit Quantity	Remarks / Service Bulletin No.
			per tractor 595	
006008140D1	1	GEAR Camshaft	1	
000026058D	2	SCREW Camshaft Thrust plate	2	
001082012R2	3	WASHER Spring Lock	2	
006000372R1	4	PLATE Camshaft Thrust	1	
000218217	5	KEY Woodruff Camshaft Gear	1	
006000171R1	6	CAMSHAFT	1	
000022019RD	7	TAPPET VALVE	8	
000022020RD	8	ROD Push Valve	8	
005557681R1	9	LOCK Valve Spring Retainer	16	
005557631R1	10	CUP Retainer Valve Spring (Upper)	8	
005557570R1	11	SPRING Valve	8	
000022008RD	12	WASHER Cup Retainer Valve Spring	8	
005555185R91	*	SET Valve Engine (Intake / Exhaust) comprising of	AR	
005557661R1	13	▶ VALVE INTAKE , Multigroove Valve (RANE)	4	
006001620B1	14	▶ VALVE EXHAUST , Multigroove Valve (RANE)	4	

* Parts Not Illustrated
AR - As Required



M&M Part Number	Ref.	Description of Part	Unit Quantity	Remarks / Service Bulletin No.
			per tractor	
			595	
006001225B91	9	ROCKER ARM & V. Lever Shaft Assy. (W/o Bush type)	1	
000022034RD	10	▶ CIRCLIP Retainer Valve Lever Shaft	2	
000022033RD	11	▶ WASHER Spring Valve Lever Shaft	6	
003108732R1	12	▶ SCREW Adjusting Rocker Arm	8	
000133093R1	13	▶ NUT Rocker Arm Adjusting Screw	8	
006001226B1	14	▶ ARM Rocker (W/o Bush type)	8	
000022011RD	17	▶ BRACKET Valve Lever sft-Frt/Rear	2	
000022055RD	18	▶ NUT Valve Hsg. Cover M10 x 1.5	2	
000022079RD	19	▶ WASHER Spring M10	2	
005553574R2	20	▶ SHAFT Valve Lever With Plug (W/o BUSH type)	1	
000172528	21	▶ PLUG Expansion	2	
000022035RD	22	▶ SPRING Valve Lever Shaft	2	
000022036RD	23	▶ SPACER Valve Lever Shaft	2	
000022010RD	24	▶ BRACKET Valve Lever Shaft - Center W/Pin	1	
000265923R1	25	▶ PIN Spring	1	
006001225B91	14	ARM ROCKER Cpte Comprising of	8	
006001226B1	15	▶ ARM ROCKER	8	

Crankcase Front Cover

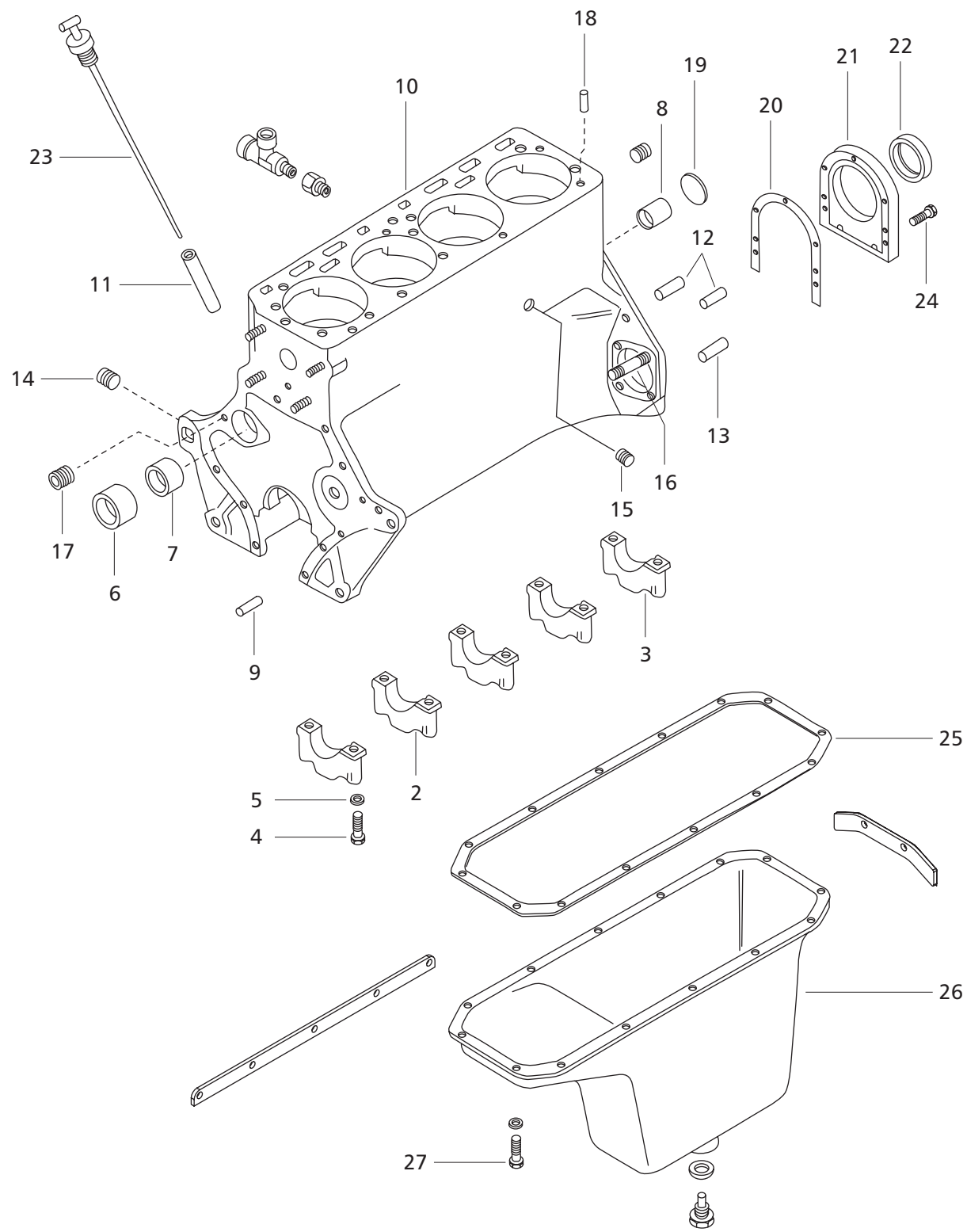


Crankcase Front Cover

M&M Part Number	Ref.	Description of Part	Unit Quantity	Remarks / Service Bulletin No.
			per tractor	
			595	
006003387A91	1	COVER Injection Pump Gear - Bigger Opening	1	
005555361R1	2	BOLT	4	
001082011R2	3	WASHER	4	
005554390R1	4	GASKET Injection Pump Gear Cover	1	
006003386A1	5	COVER Front Crankcase - Bigger Opening	1	
006002829A1	6	OIL SEAL Crankcase Cover front	1	
005555358R1	7	BOLT	4	
000706732R1	8	BOLT	4	
005555359R1	9	BOLT	6	
000102634	10	NUT	4	
000181434	11	BOLT Shaft Idler Gear Mounting	1	
006008575D91	12	GEAR IDLER	1	
000703853R4	13	▶ SHAFT Idler Gear	1	
001232850R1	14	▶ PIN Roll	1	
006008151D1	15	▶ GEAR Idler	1	
006006064D1	*	▶ BUSH Idler Gear	1	
005555211R1	16	GASKET Crankcase Front Cover	1	
000022088RD	17	PLATE Front Crankcase	1	
000179816	18	BOLT	1	
000703636R1	19	WASHER Tap Front Plate Mounting	1	
003047230R1	20	SCREW Crankcase Front Plate	1	
005555212R1	21	GASKET Crankcase Front Plate	1	
000703851R2	22	GASKET Hydraulic Pump Opening Cover	1	
000179795	*	BOLT F/Plate	1	
001082010R2	*	WASHER	1	
001121799R1	*	WASHER Plain	1	
000708114R3	*	CABLE Clip	1	

* Parts Not Illustrated

Crankcase with Oil Pan

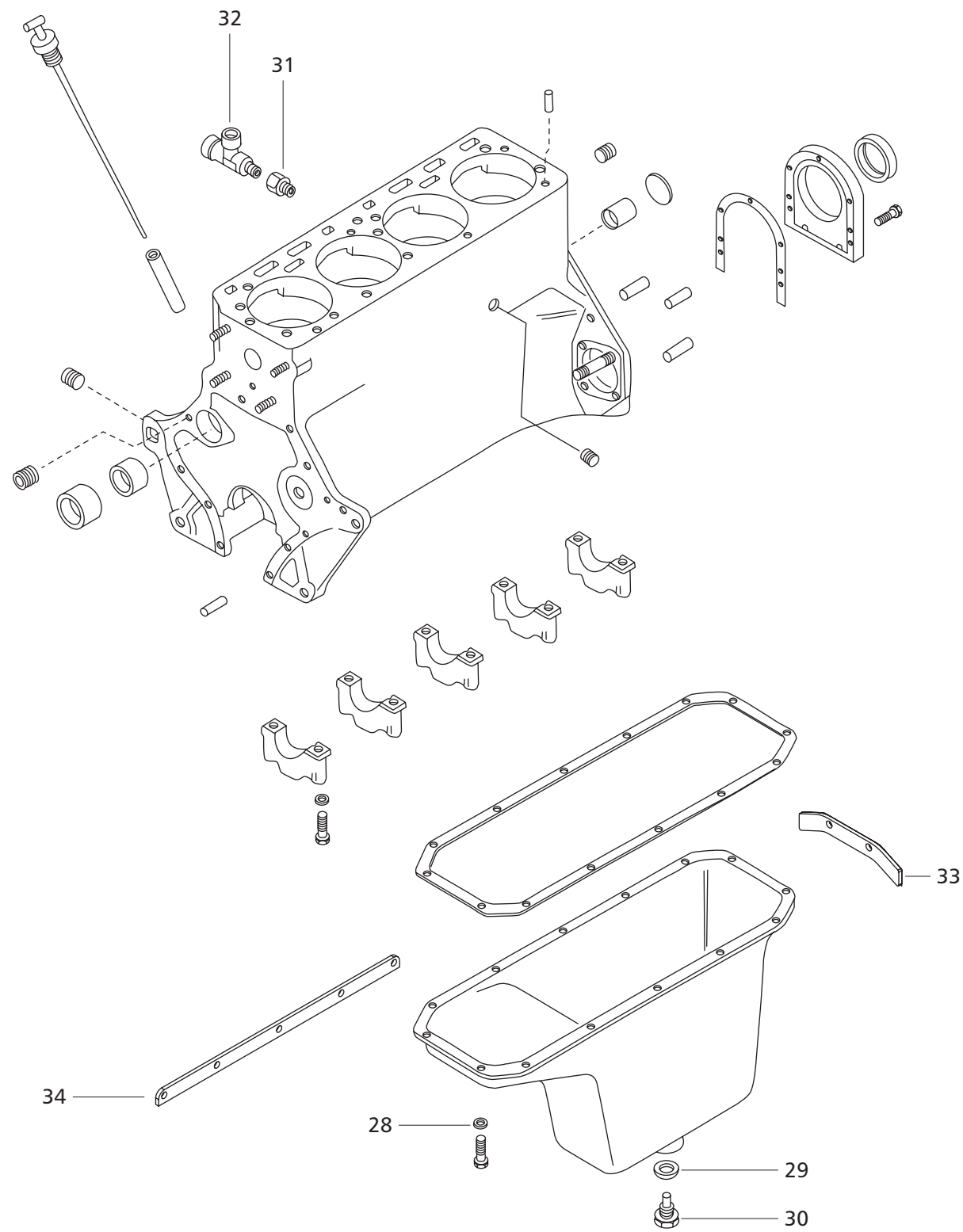


Crankcase with Oil Pan

M&M Part Number	Ref.	Description of Part	Unit Quantity	Remarks / Service Bulletin No.
			per tractor 595	
006005974B91	*	CRANKCASE Cpte. - 4DI	1	
‡	*	▶ CRANKCASE incomplete -Comprising of	1	
005552117R1	1	▶ CRANKCASE Casting Deck	1	
‡	2	▶ CAP Bearing Crankshaft FRONT	4	
003061211R1	4	▶ BOLT Main Bearing Cap	10	
003061325R1	5	▶ WASHER Main Bearing Cap Bolt	10	
005554460R2	6	▶ BUSH Camshaft Front Kirloskar	1	
005554461R1	7	▶ BUSH Camshaft Center Kirloskar	1	
005554462R1	8	▶ BUSH Camshaft Rear	1	
000141244	9	▶ PIN Dowel Crankcase Front	2	
000703832R1	10	▶ STUD Water Pump Mounting	4	
005557836R91	11	▶ TUBE Dipstick & Adaptor (7.6 liter sump) Consists of	1	
005557704R1	*	▶ TUBE Dipstick	1	
005557705R1	*	▶ ADAPTOR	1	
000141223	12	▶ PIN Dowel Rear Oil Seal Retainer	2	
005551963R1	13	▶ PIN Dowel Crankcase Rear	2	
000103883	14	▶ PLUG Headless Pipe Slotted	3	
000020988R1	15	▶ PLUG Water Drain	1	
000179840	16	▶ BOLT	1	
000444691	17	▶ PLUG Headless Pipe Slotted	2	
005550183R1	18	▶ PIN Dowel Cylinder Head Mounting	2	
0000172578	19	▶ PLUG Expansion crankcase Rear	1	
000708907R1	20	▶ GASKET Crankcase Rear Oil Seal Retainer	1	
001231551R11	*	▶ RETAINER Crankshaft Rear Oil Seal comprising of	1	
001231551R1	21	▶ RETAINER	1	
006002830A1	22	▶ SEAL Oil Crankshaft Rear PTFE (Fenner)	1	
005557815R91	23	GAUGE Oil Level - Threaded Extra Long	1	
000706732R1	24	BOLT	7	
005557831R1	25	GASKET Crankcase Oil Pan	1	
005558051R91	26	OIL PAN Crankcase Complete	1	
005555361R1	27	BOLT	14	

‡ Not Serviceable Separately
* Parts Not Illustrated

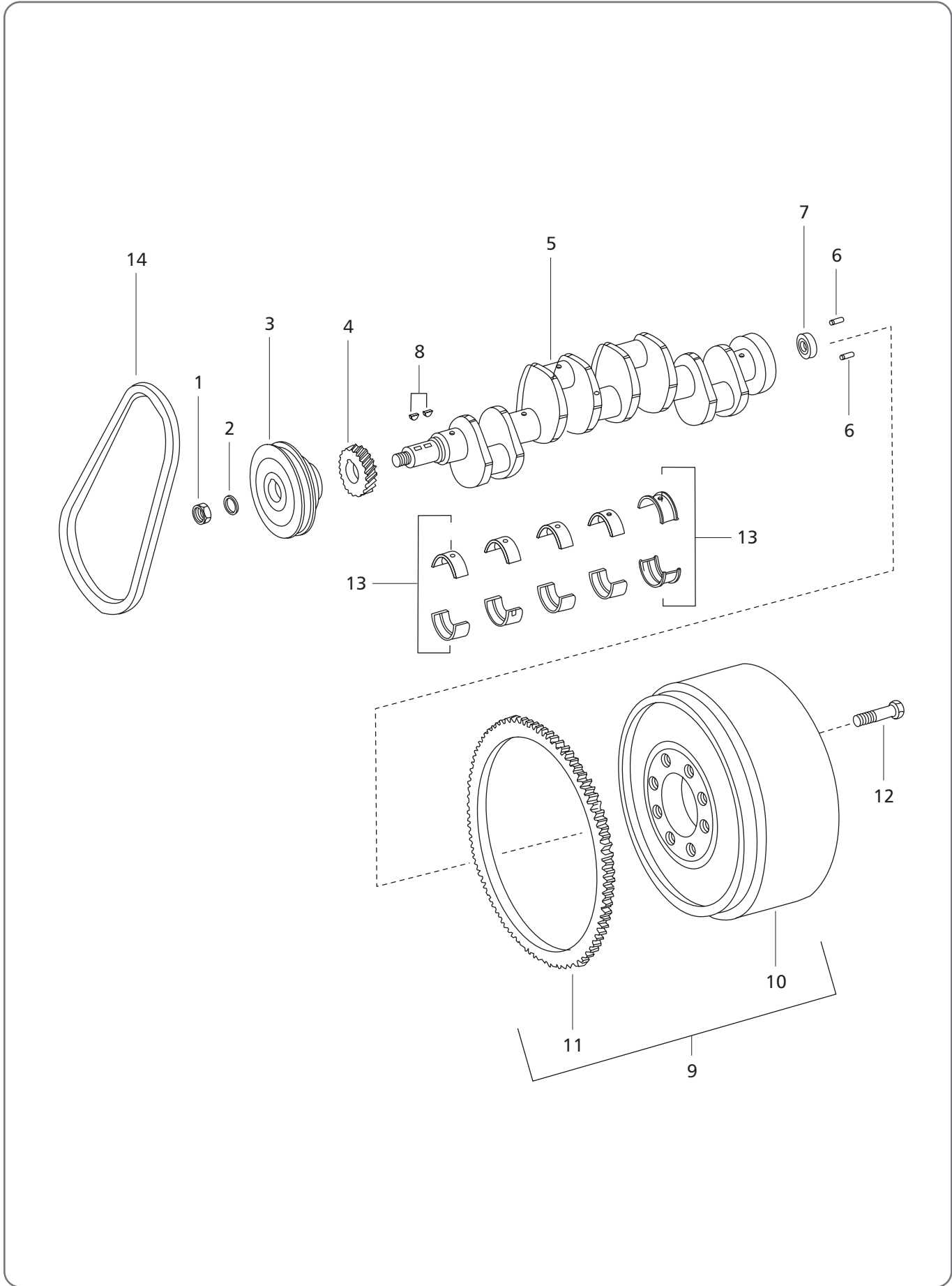
Crankcase with Oil Pan



Crankcase with Oil Pan

M&M Part Number	Ref.	Description of Part	Unit Quantity	Remarks / Service Bulletin No.
			per tractor	
			595	
001082011R2	28	WASHER	14	
001081618R1	29	GASKET Crankcase Drain Plug	1	
001099900R2	30	PLUG Drain Magnetic	1	
000022208RD	31	ADAPTOR Lub Oil Pipe - For BS-III	1	
005550174R1	32	T-JOINT Oil Pressure & F.I.P - For BSIII	1	
006015189B1	33	STRIP Crankcase Oil Pan (Front & Rear)	1	
007541737B1	34	SIDE STRIP Crankcase Oil Pan (4 Cyl)	2	
007603034B1	*	ADAPTOR Oil Pressure Gauge	1	
001127926R1	*	BOLT Water Drain Wing	1	

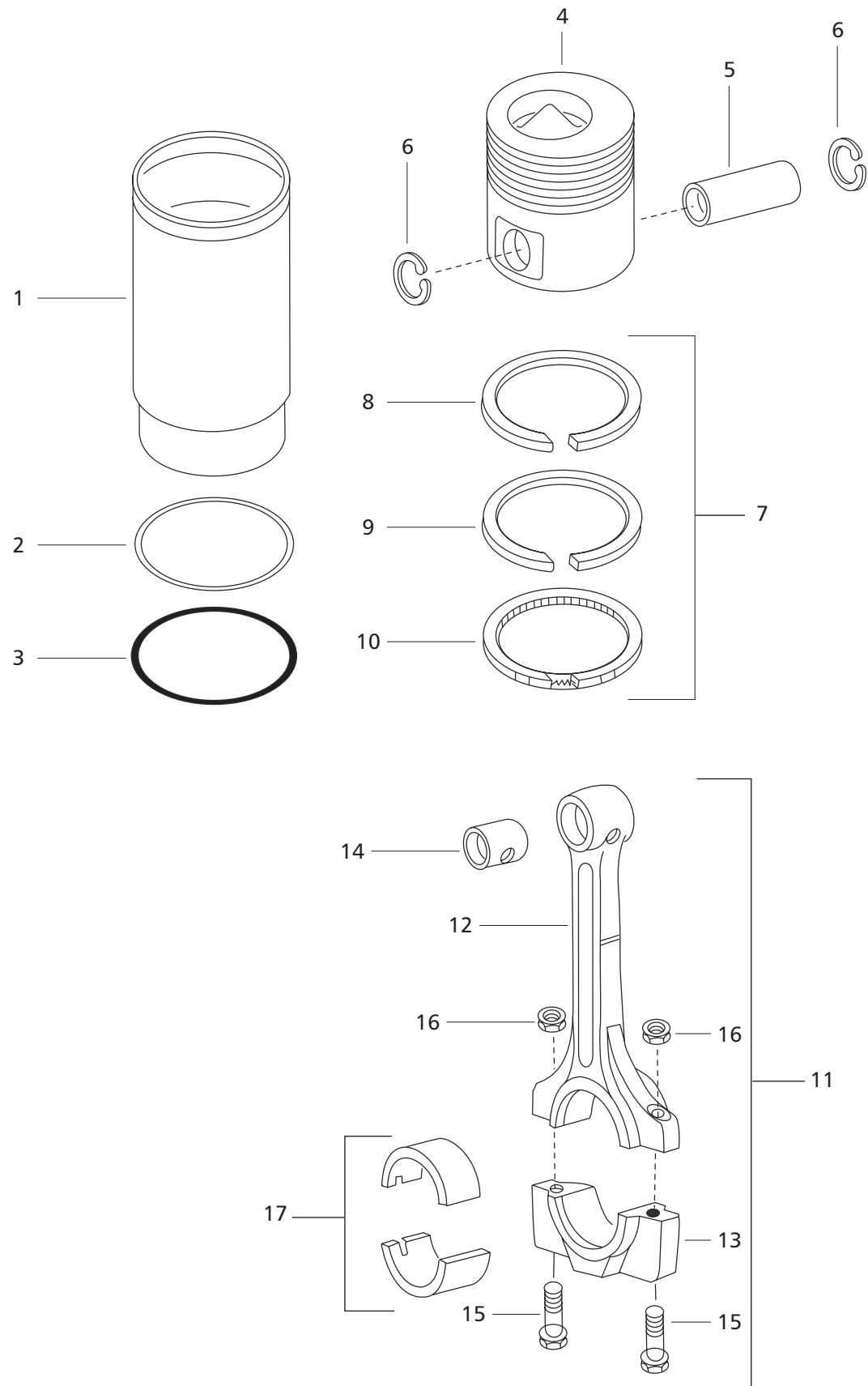
* Parts Not Illustrated



M&M Part Number	Ref.	Description of Part	Unit Quantity per tractor	Remarks / Service Bulletin No.
			595	
006000260B1	1	BOLT Crankshaft Pulley	1	
006000259B1	2	SPACER Crankshaft Pulley	1	
006001723A1	3	PULLEY 4 Cyl. Engine Trailer Brake	1	
006008141D1	4	GEAR Crankshaft	1	
006000044R1	*	CRANKSHAFT Cpte with Dowel Pin	1	
‡	5	▶ CRANKSHAFT 4 Cylinder LS	1	
000024550D	6	▶ PIN DOWEL	2	
001082183R91	7	▶ BEARING Clutch Pilot	1	
000218211	8	▶ KEY Woodruff	2	
006015598B91	9	FLYWHEEL ASSY - BS3A INLINE	1	
‡	10	▶ FLYWHEEL	1	
000704436R1	11	▶ GEAR Ring Flywheel	1	
005552890R1	12	BOLT Flywheel Mounting	6	
000022149RD	13	SET BEARING Crankshaft 0.015"U/S - 4 DI (Bimetal)	1	
006001726A1	14	BELT Fan - 4 DI	1	

* Parts Not Illustrated
‡ Not Serviceable Separately

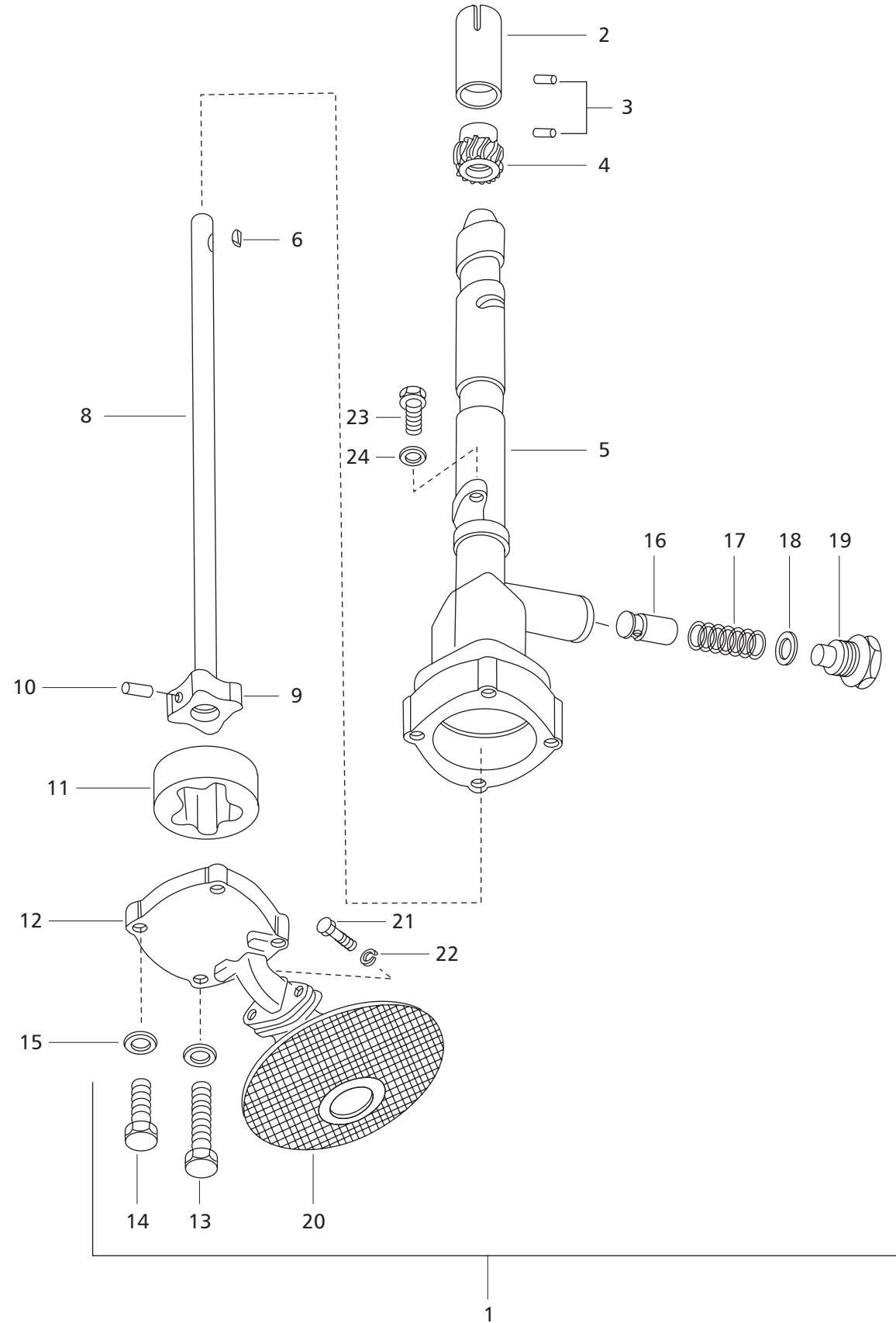
Cylinder Sleeve, Piston & Connecting Rod Assembly



Cylinder Sleeve, Piston & Connecting Rod Assembly

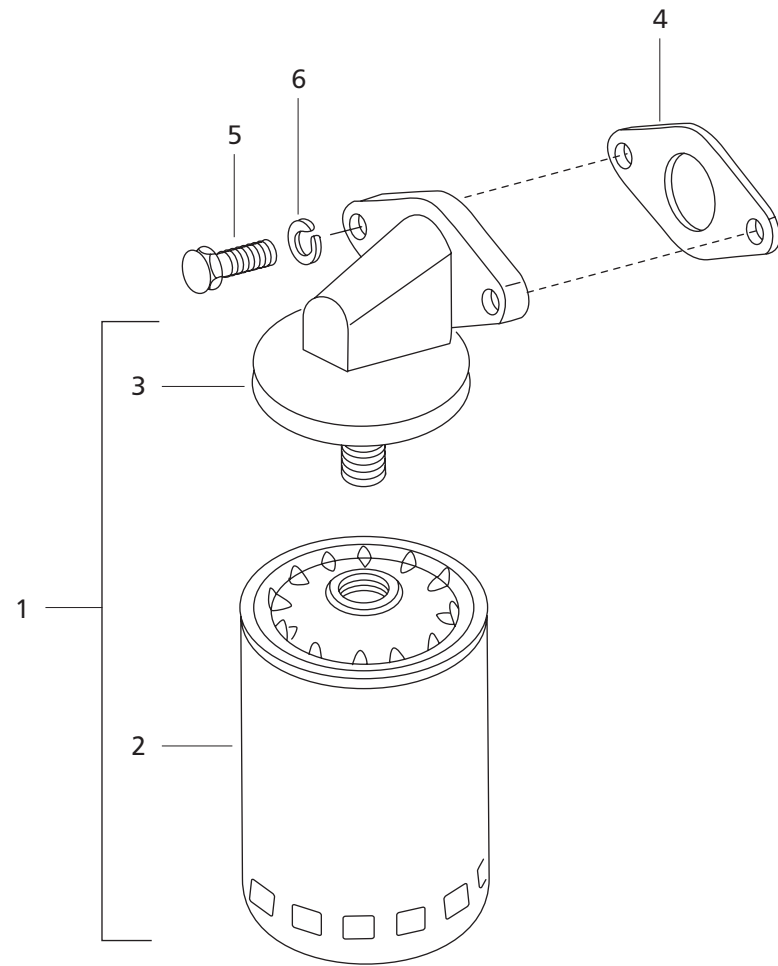
M&M Part Number	Ref.	Description of Part	Unit Quantity	Remarks / Service Bulletin No.
			per tractor	
			595	
006016279B1	1	LINER for 88.9 Bore 110 Stroke Engine	4	
005553024R1	2	O-RING Sleeve Cylinder - Silicon	4	
001231297R2	3	O-RING Sleeve Cylinder - Nitrile - Black	4	
0000000YV	4	PISTON	4	
005550812R1	5	PIN Piston	4	
005555844R1	6	CIRCLIP Piston Pin	8	
006003681B91	7	SET Piston Ring - Goetz (Local) BSIII Comprising of	4	
006012907B91	7	SET Piston Rings BS3A	1	
‡	8	▶ RING Piston Copression Top	1	
‡	9	▶ RING Piston Copression Bottom	1	
‡	10	▶ RING Piston Compression Top	1	
006004081B91	11	CONNECTING ROD Cpte. Comprising of	4	
006004083B1	12	▶ CONNECTING ROD	4	
006004082B1	13	▶ CAP Connecting Rod	4	
000022238RD	14	▶ BUSH Connecting Rod	4	
005555719R1	15	▶ BOLT Connecting Rod	8	
005554069R1	16	▶ NUT Connecting Rod	8	
005554067R1	17	BEARING Connecting Rod Cpte.	8	

‡ Not Serviceable Separately



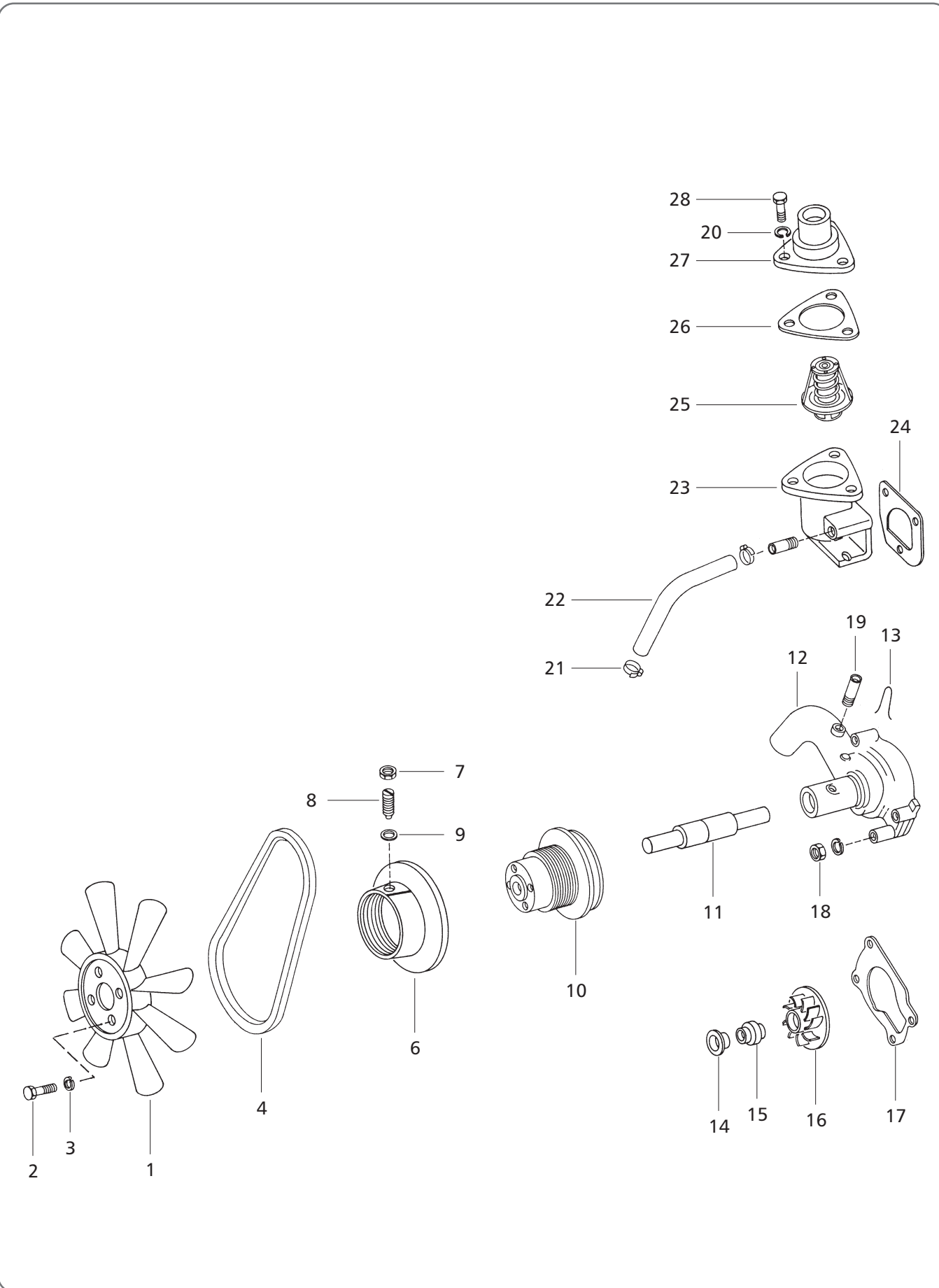
M&M Part Number	Ref.	Description of Part	Unit Quantity	Remarks / Service Bulletin No.
			per tractor 595	
006001527B92	1	OIL PUMP Assy. P858 Turbo Engine	1	
003042479R3	2	▶ COUPLING Hourmeter Drive	1	
000932204R1	3	▶ PIN ROLL	2	
000704107R3	4	▶ PINION Oil Pump Drive	1	
001121038R1	5	▶ BODY Oil Pump	1	
000103905	6	▶ KEY Woodruff	1	
‡	7	▶ ROTOR & SHAFT Assy. Comprising of	1	
‡	8	▶ SHAFT Oil Pump	1	
001121042R1	9	▶ ROTOR Inner Pump	1	
‡	10	▶ PIN Groove	1	
001121044R1	11	▶ ROTOR Outer	1	
001082043R1	12	▶ COVER Oil Pump	1	
000179799	13	▶ BOLT Cover to Body	2	
000179797	14	▶ BOLT Cover to Body	2	
‡	15	▶ WASHER Spring Cover to Body	4	
001121039R1	16	▶ PLUNGER Relief Valve	1	
001082037R1	17	▶ SPRING Relief Valve	1	
001127778R1	18	▶ GASKET Retainer Spring	1	
‡	19	▶ RETAINER Spring	1	
005557816R91	20	▶ SCREEN Assy. Oil Pump inc Depty Pan	1	
000179791	21	▶ BOLT Screen to Cover	2	
0017403R1	22	▶ WASHER	1	
000179840	23	▶ BOLT	1	
001082010R2	24	▶ WASHER	1	

‡ Not Serviceable Separately



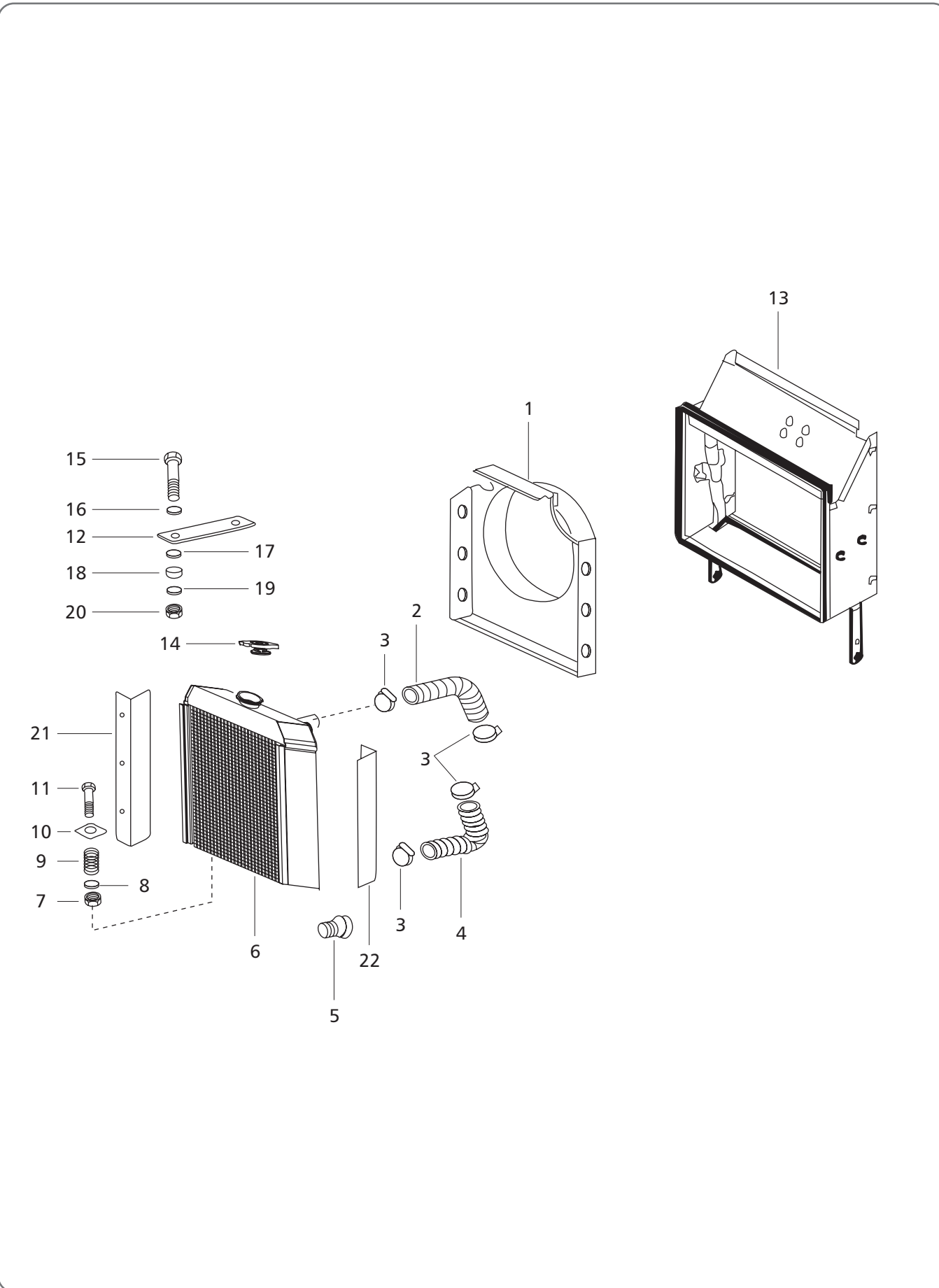
M&M Part Number	Ref.	Description of Part	Unit Quantity per tractor	Remarks / Service Bulletin No.
			595	
006001543B91	1	FILTER Assembly Spinon w/ Adaptor (Dispensable Type)	1	
005557147R91	2	▶ FILTER Assy. Spin - on	1	
005556869R91	3	▶ ADAPTOR for filter Spin on	1	
001081753R2	4	GASKET Lub Oil Filter Base	1	
000179840	5	BOLT	2	
001082012R2	6	WASHER Spring Lock	2	
005556869R91	*	ADAPTOR for filter Spin on	1	

* Parts Not Illustrated



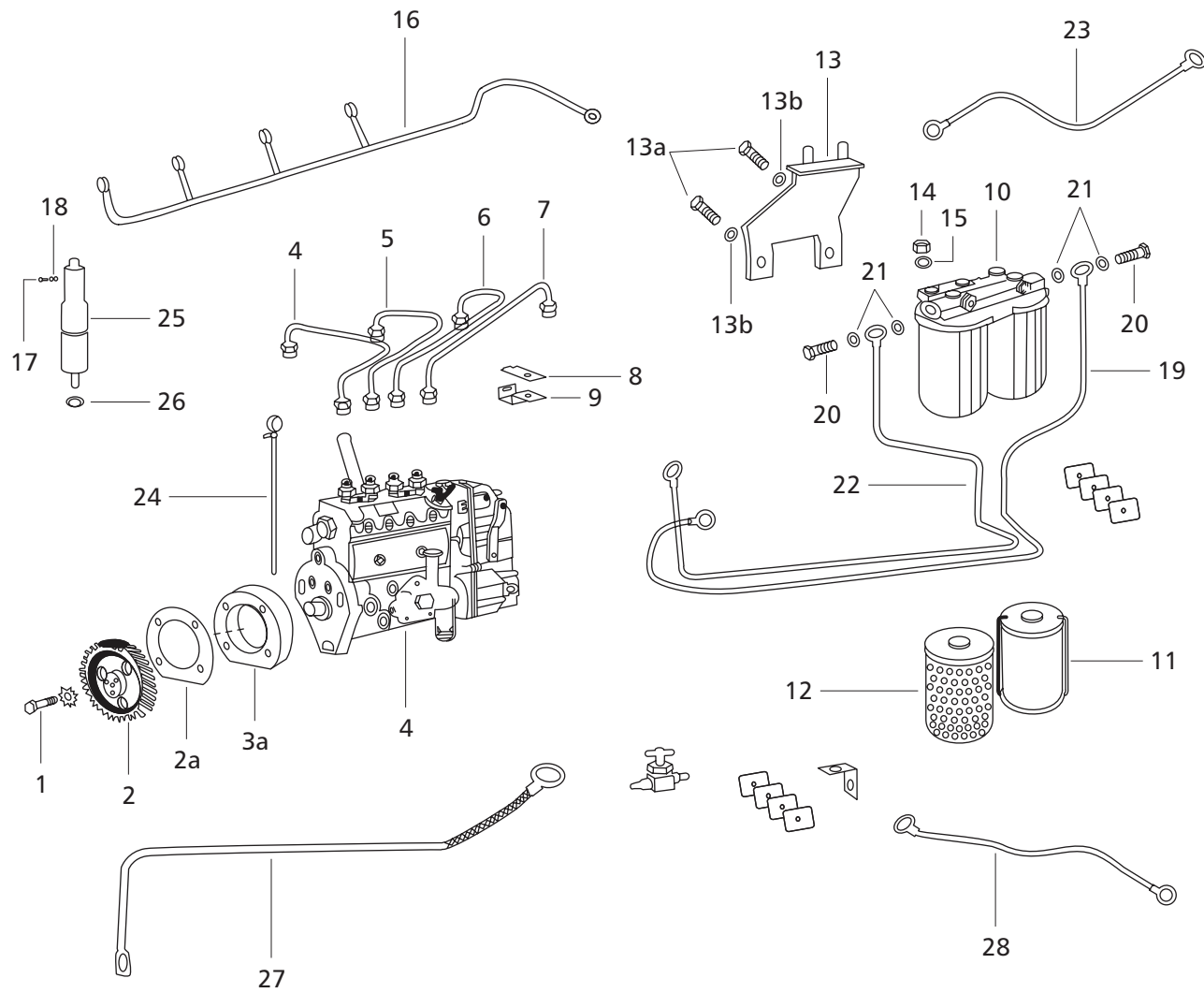
M&M Part Number	Ref.	Description of Part	Unit Quantity	Remarks / Service Bulletin No.
			per tractor 595	
006001212B91	1	FAN WHEEL Assly	1	
005554989R1	2	BOLT	4	
000120393	3	WASHER Plain	4	
006001726A1	4	BELT Fan - 4 DI	1	
006003265A95	A	WATER PUMP Assy - High Discharge MDI	1	
0065008525B1	6	▶ FLANGE Water Pump	1	
005551096R1	7	▶ NUT Pulley Locking Screw	1	
005551095R1	8	▶ SCREW Headless (Dog Point)	1	
006012068B1	9	▶ WASHER STAR	1	
006008526B1	10	▶ HUB Water Pump	1	
006000759R1	11	▶ BEARING (Ball) Water Pump Spindle	1	
006001855B1	12	▶ BODY Water Pump	1	
005551098R1	13	▶ CLIP Water Pump	1	
005551068R1	14	▶ SLINGER	1	
005554734R91	15	▶ SEAL Assembly (Unitised)	1	
006001856B1	16	▶ IMPELLER	1	
006001821A1	17	GASKET Water Pump - High Discharge	1	
000102635	18	NUT	4	
003065123R2	19	TUBE Thermostat Bypass	2	
001082011R2	20	WASHER	3	
005556668R91	21	CLIP Bypass Thermostat Hose (High Discharge)	2	
006001891B1	22	HOSE Thermostat Bypass (High Discharge)	1	
005554507R1	23	HOUSING Thermostat	1	
001233545R1	24	GASKET Thermostat Housing	1	
005556450R92	25	THERMOSTAT	1	
003065125R2	26	GASKET Thermostat Housing Cover	1	
003065126R2	27	COVER Thermostat Housing	1	
000022271RD	28	BOLT M8 x 1.25 x 22-H3	3	
001082011R2	*	WASHER	4	
005555358R1	*	BOLT	4	
001121799R1	*	WASHER Plain	4	

* Parts Not Illustrated



M&M Part Number	Ref.	Description of Part	Unit Quantity	Remarks / Service Bulletin No.
			per tractor	
			595	
006015285B1	1	COWL Radiator	1	
005555509R1	2	HOSE Pipe Radiator Inlet-EPDM	1	
006004797F1	3	CLIP Radiator	1	
006018162B1	4	HOSE Pipe Radiator Outlet - EPDM (High Discharge)	1	
006001122R91	5	DRAIN Cock	1	
006018162B1	6	RADIATOR Assembly Cpte.	1	
001081682R1	7	NUT Nyloc	2	
000020869R1	8	WASHER Plain Radiator Mtg	2	
000067205D	9	SPRING Radiator Hold Down	2	
003041407R2	10	PAD Radiator	2	
001231780R2	11	BOLT	2	
007535329B1	12	BRACE Radiator	1	
008000954B91	13	THRESH GUARD ASSY - 4DI NST	1	
006015286B1	14	CAP Radiator - For Aluminium Radiator	1	
000179842	15	BOLT Brace Fixing	1	
000030134R1	16	WASHER Spring Lock	1	
001231287R2	17	GROMMET Rubber	1	
001231288R2	18	BUSH Radiator Brace	1	
005555988R1	19	WASHER Spring Lock	1	
000120377	20	NUT	1	
008000468B2	21	RADIATOR Side Sealing - RH	1	
008000467B2	22	RADIATOR Side Sealing - LH	1	

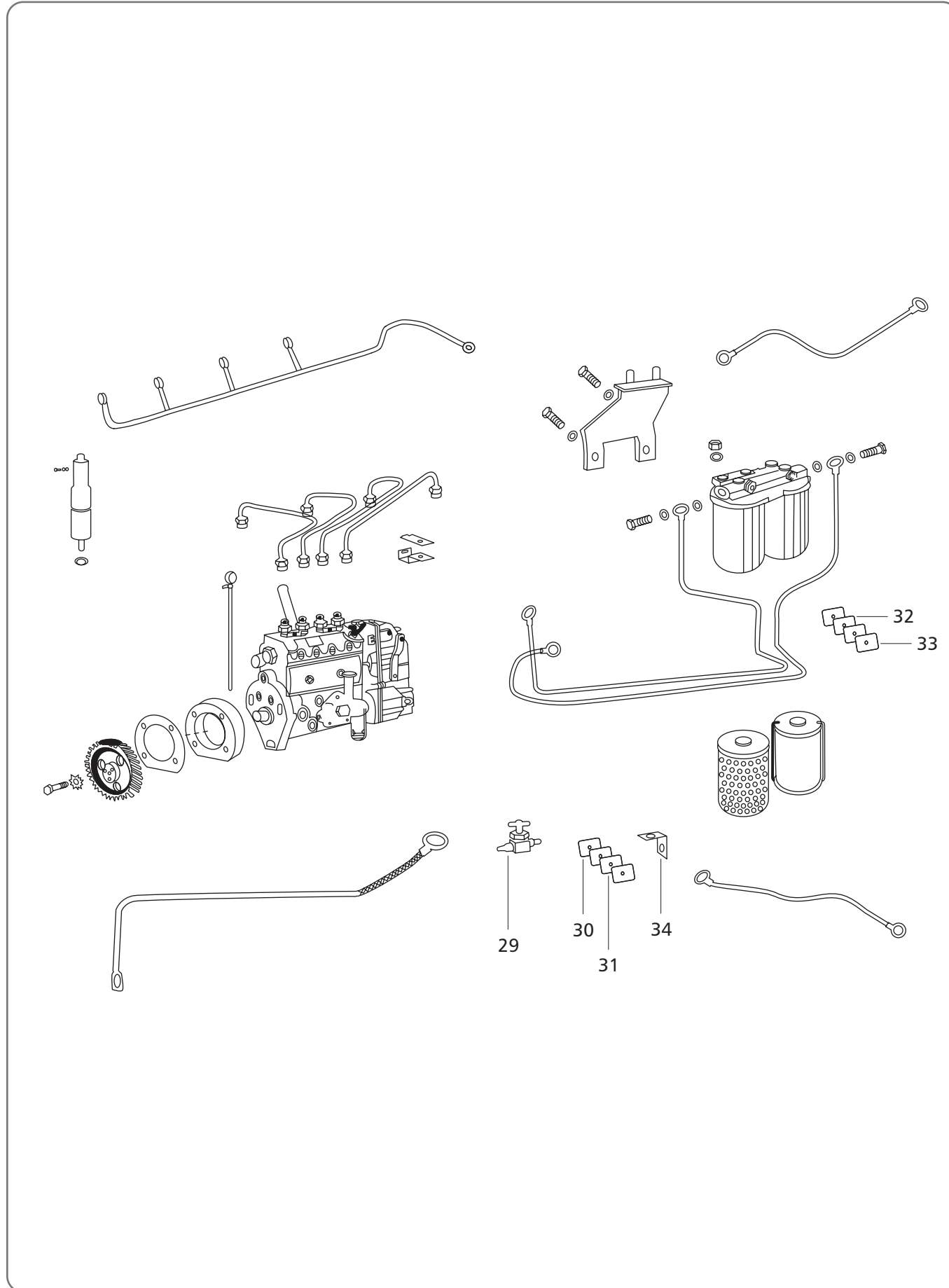
Fuel Injection System



Fuel Injection System

M&M Part Number	Ref.	Description of Part	Unit Quantity	Remarks / Service Bulletin No.
			per tractor 595	
000022271RD	1	BOLT M8 x 1.25 x 22-H3	3	
006013261B1	2	GEAR Injection Pump	1	
000022168RD	2a	GASKET F.I.P.	1	
‡	3	PUMP Fuel Injection Cpte.	1	
006004299B2	3a	PLATE Flange FIP	1	
006001097B91	4	PIPE Fuel Injection No. 1 Cpte.	1	
006001098B91	5	PIPE Fuel Injection No. 2 Cpte	1	
006001099B91	6	PIPE Fuel Injection No. 3 Cpte.	1	
006001100B91	7	PIPE Fuel Injection No. 4 Cpte.	1	
000022201RD	8	CLAMP Injector Pipe Male	2	
000022202RD	9	CLAMP Injector Pipe Female	2	
006000094F1	10	FUEL Filter Twin - 0.7 Lt Higher Capacity Filter	1	
006000177F1	11	ELEMENT Fuel Filter (Primary)	1	
001081778R93	12	ELEMENT Fuel Filter (Secondary)	1	
006000079B11	13	BRACKET Assy. Fuel Filter Mounting	1	
000022271RD	13a	BOLT M8 x 1.25 x 22-H3	2	
000934309R1	13b	WASHER M8 Spring Manifold Mtg	2	
005550753R1	14	NUT Fuel Filter Mounting M12 x 1.75	2	
001082014R2	15	WASHER Spring Filter Mounting	2	
005551103R92	16	PIPE Complete Fuel Spill	1	
000022307RD	17	BOLT Banjo Spill Pipe (u 5554 650 R1)	1	
000022306RD	18	WASHER Copper Spill Pipe	2	
006003187B92	19	PIPE Feed Pump To Filter	1	
001081720R3	20	BOLT Banjo Feed Pump to Filter Pipe M14 x 2.5	2	
006001238R1	21	WASHER Copper Feed Pump to Filter Pipe	2	
006003188B93	22	PIPE Filter To F.I.P.	1	
005557072R94	23	PIPE Cpte. Fuel Overflow	1	
001081727R2	24	BOLT Banjo	2	
005556525R91	25	INJECTOR Complete With Nozzle	4	
005556526R1	26	WASHER Injector	4	
008000666B12	27	PIPE Complete Fuel Tank to Feed Pump	1	
006005669B1	28	PIPE Cpte Lub Oil to FIP	1	

‡ Not Serviceable Separately

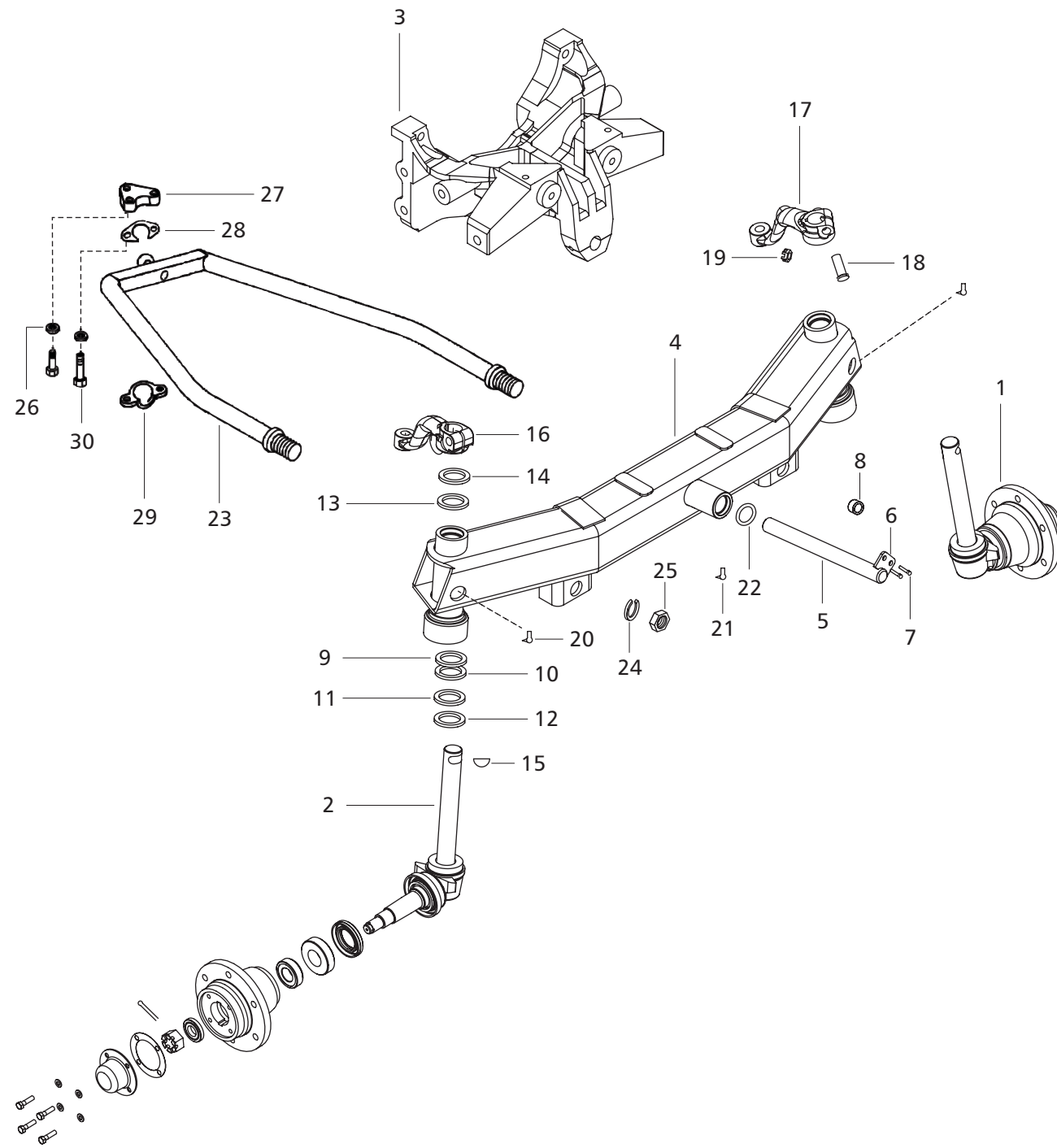


M&M Part Number	Ref.	Description of Part	Unit Quantity per tractor	Remarks / Service Bulletin No.
			595	
001233066R93	29	TAP FUEL	1	
001081867R1	30	PLATE Clamp For Fuel Pipes	4	
001081868R1	31	PAD Felt Clamp Plates	4	
001081895R1	32	PLATE Clamp For Fuel Pipes	4	
001081897R1	33	PAD Felt Clamp Plates	4	
005551138R2	34	BRACKET Fuel Pipe Support	2	
000022206RD	*	BOLT Injector Pipe Clamp	2	
001233807R1	*	NUT Injector Pipe Clamp M6 x 1 Hex Zinc Plated	2	
001233808R1	*	WASHER Spring Injector Pipe Clamp M6	2	
001082277R1	*	O-RING Fuel Filter Head	1	

* Parts Not Illustrated

FRONT AXLE & WEIGHTS

Front Axle - Single Piece Bow Type

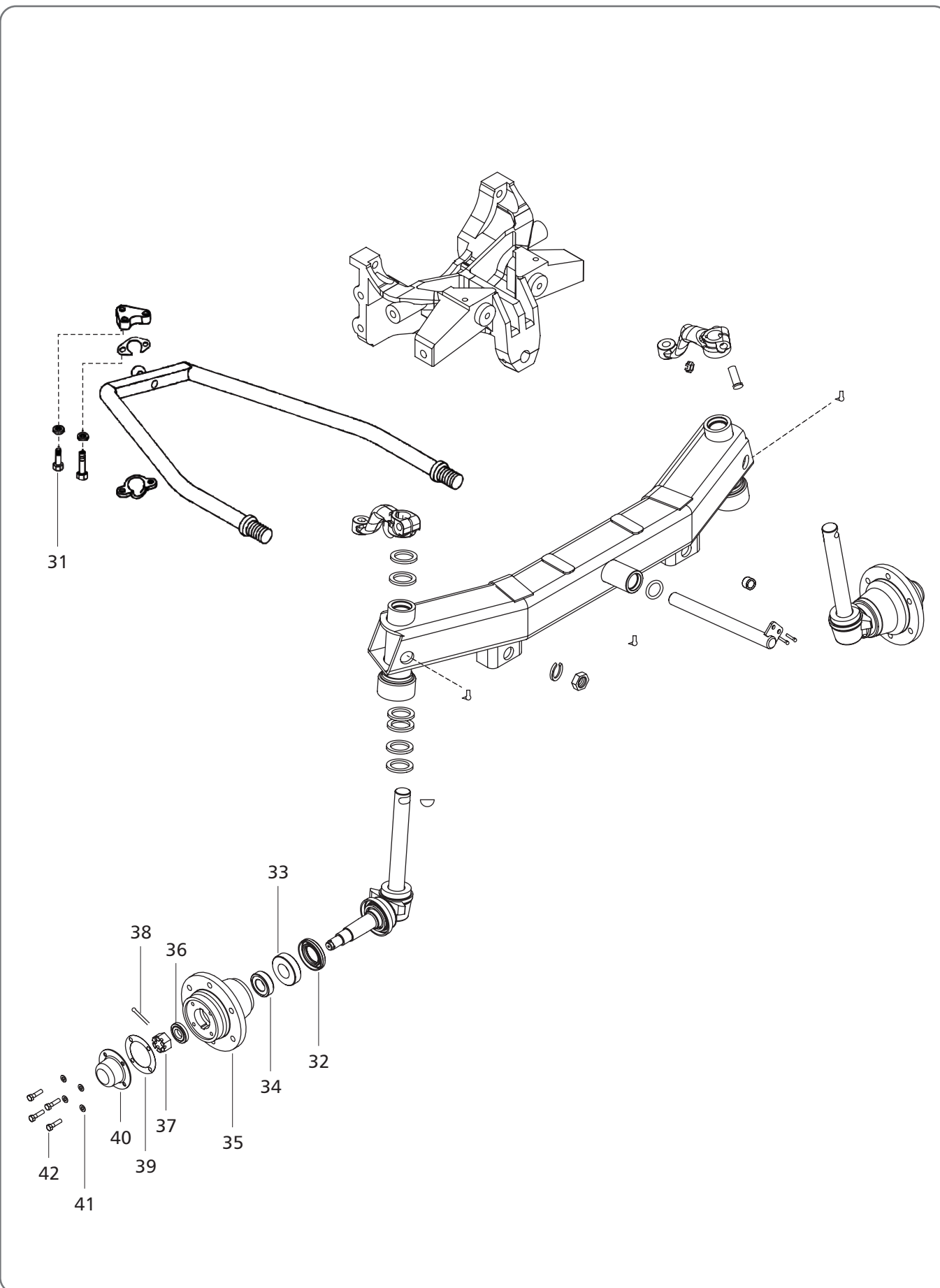


Front Axle - Single Piece Bow Type

M&M Part Number	Ref.	Description of Part	Unit Quantity	Remarks / Service Bulletin No.
			per tractor 595	
007904316B91	*	ASSY FRONT AXLE & FRONT AXLE Support	1	
007904054B92	1	▶ STEERING KNUCKLE with Hub Assy RH	1	
007904047B92	2	▶ STEERING KNUCKLE with Hub Assy LH	1	
007608088B91	3	▶ FRONT AXLE SUPPORT Cpte.	1	
007904438B91	4	▶ FRONT AXLE Cpte.	1	
005557719R91	5	▶ PIVOT PIN Front Axle	1	
005556442R1	6	▶ LOCK PLATE for Pivot Pin	1	
001081607R1	7	▶ BOLT 8mm x 1.25 x 20	2	
003070930R2	8	▶ CABLE CLIP	1	
001231413R91	9	▶ BEARING Steering Knuckle Thrust	2	
005557092R1	10	▶ SHIM Steering Knuckle Pivot Pin - 0.015'	AR	
005557091R1	11	▶ SHIM Steering Knuckle Pivot Pin - 0.005'	AR	
005557019R91	12	▶ OIL SEAL BOTTOM	2	
007600876R91	13	▶ OIL SEAL TOP	2	
005557093R1	14	▶ FELT WASHER	2	
000114745	15	▶ KEY WOODRUFF	2	
007606270B1	16	▶ ARM Steering Knuckle LH	1	
007606269B1	17	▶ ARM Steering Knuckle RH	1	
000271565	18	▶ BOLT 5/8N UNC x 2-3/4N	2	
000102639	19	▶ NUT 5/8N UNC	2	
000109461	20	▶ GREASE NIPPLE	2	
000109462	21	▶ GREASE NIPPLE	1	
007600002R1	22	▶ OIL SEAL Centre Sleeve	2	
007607983B91	*	STAY ROD Assembly	1	
007607984B91	23	▶ STAY ROD	1	
001231305R2	24	▶ WASHER Spring Lock Stay Rod Nut	1	
007601001A1	25	▶ NUT Stay Rod	1	
007601284A1	26	WASHER Stay Rod	2	
003109613R2	27	CAP Stay Rod Ball Socket	1	
000842389R1	28	SHIM Stay Rod Cap 0.381 mm	1	
005550052R2	29	SOCKET Stayrod Ball	1	
000271565	30	BOLT	1	

* Parts Not Illustrated
AR - As Required

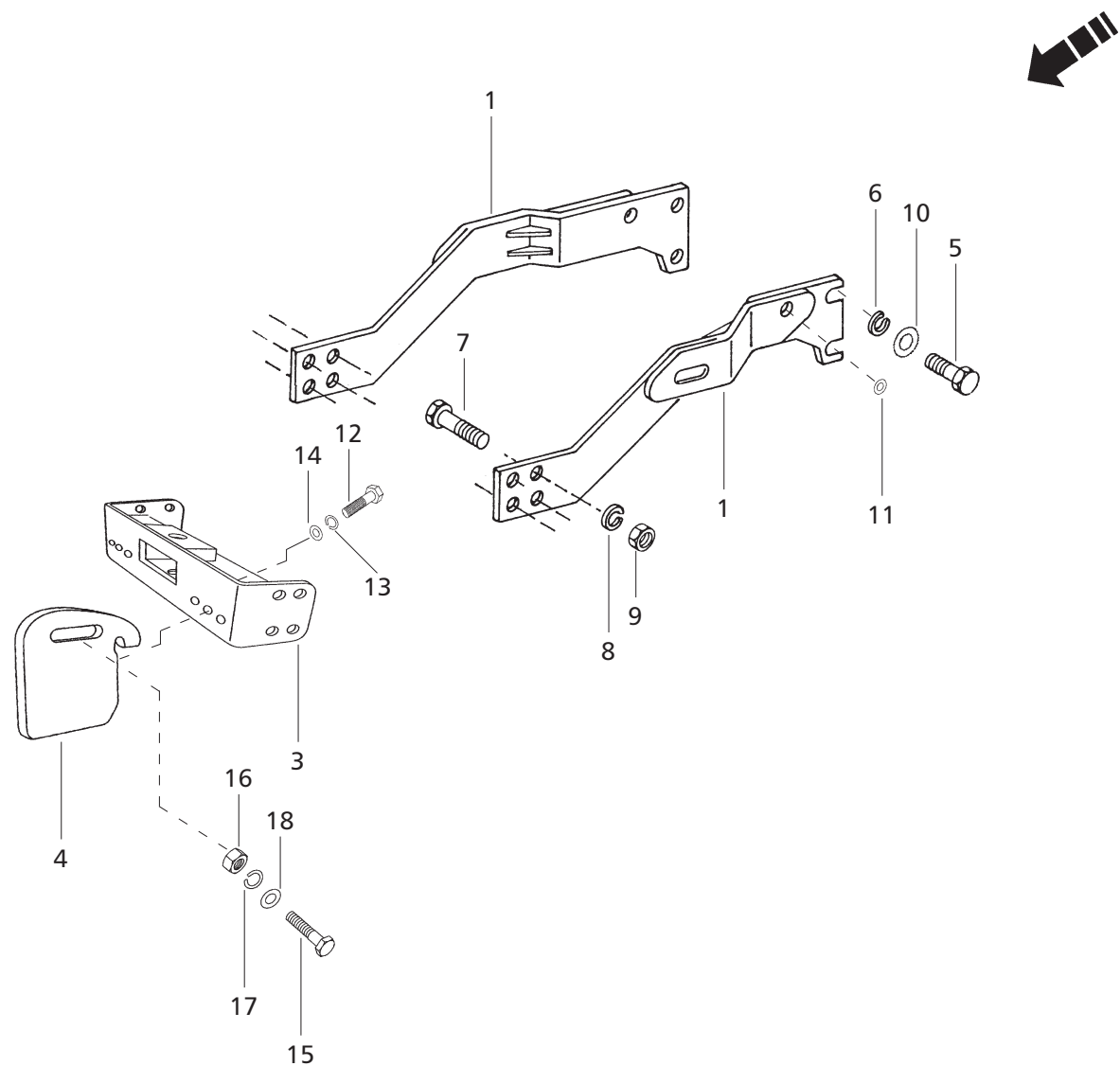
Front Axle - Single Piece Bow Type



Front Axle - Single Piece Bow Type

M&M Part Number	Ref.	Description of Part	Unit Quantity per tractor	Remarks / Service Bulletin No.
			595	
000271558	31	BOLT	1	
005558517R1	32	OIL SEAL (Front wheel Hub)	1	
007604965B91	33	BEARING Inner Front Wheel	1	
000392674R91	34	BEARING Front Wheel Cpte. Outer	1	
007603307B1	35	HUB Front Wheel Cpte.	1	
000700572R1	36	WASHER Front Wheel	1	
000427645	37	NUT Slotted	1	
000103398	38	PIN Cotter	1	
005555558R2	39	GASKET Front Wheel Hub	1	
005555557R1	40	CAP Front Wheel Hub	1	
001082011R2	41	WASHER	1	
000179816	42	BOLT	1	

Jerry Can Weight Attachment

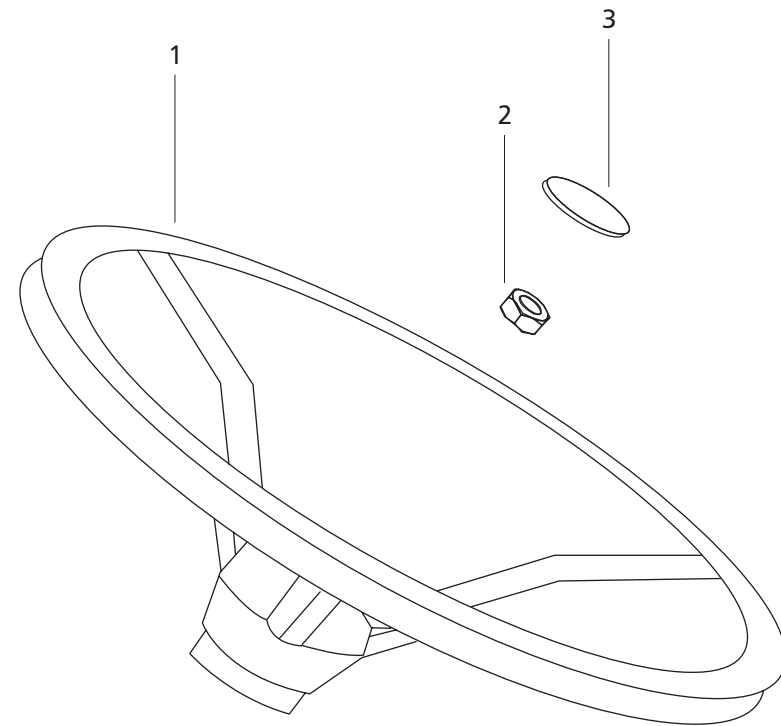


Jerry Can Weight Attachment

M&M Part Number	Ref.	Description of Part	Unit Quantity	Remarks / Service Bulletin No.
			per tractor 595	
E005557379R2	1	BRACKET Jerry Can Wgts Mtg LH	1	
005557378R2	2	BRACKET Jerry Can Wgts Mtg RH	1	
005559631B11	3	BRACKET Jerry Can Wgts Mtg Front	1	
E007601599C1	4	WEIGHT Jerry Can	6	
005557325R1	5	BOLT 3/4" UNC x 2-1/4" L	6	
005555990R1	6	WASHER Spring Lock 3/4"	6	
005555987R1	7	BOLT 5/8" UNC x 1-3/4" L	8	
005555989R1	8	WASHER Spring Lock 5/8"	8	
000124589	9	NUT HEX 5/8"	8	
005557382R1	10	WASHER for Jerry Can Plain (Big)	2	
001099817R1	11	WASHER for Jerry Can Plain (Small)	1	
005555987R1	12	BOLT 5/8" UNC x 1-3/4"	6	
005555981R1	13	WASHER Spring Lock	6	
005551798R2	14	WASHER Plain 5/8"	6	
005555446R1	15	BOLT 1/2" x 6" ZP	2	
000120378	16	NUT 1/2" UNC	2	
000120384	17	WASHER Spring Lock 1/2" ZP	2	
000120396	18	WASHER Plain 1/2"	2	

STEERING & LINKAGES

Steering Wheel

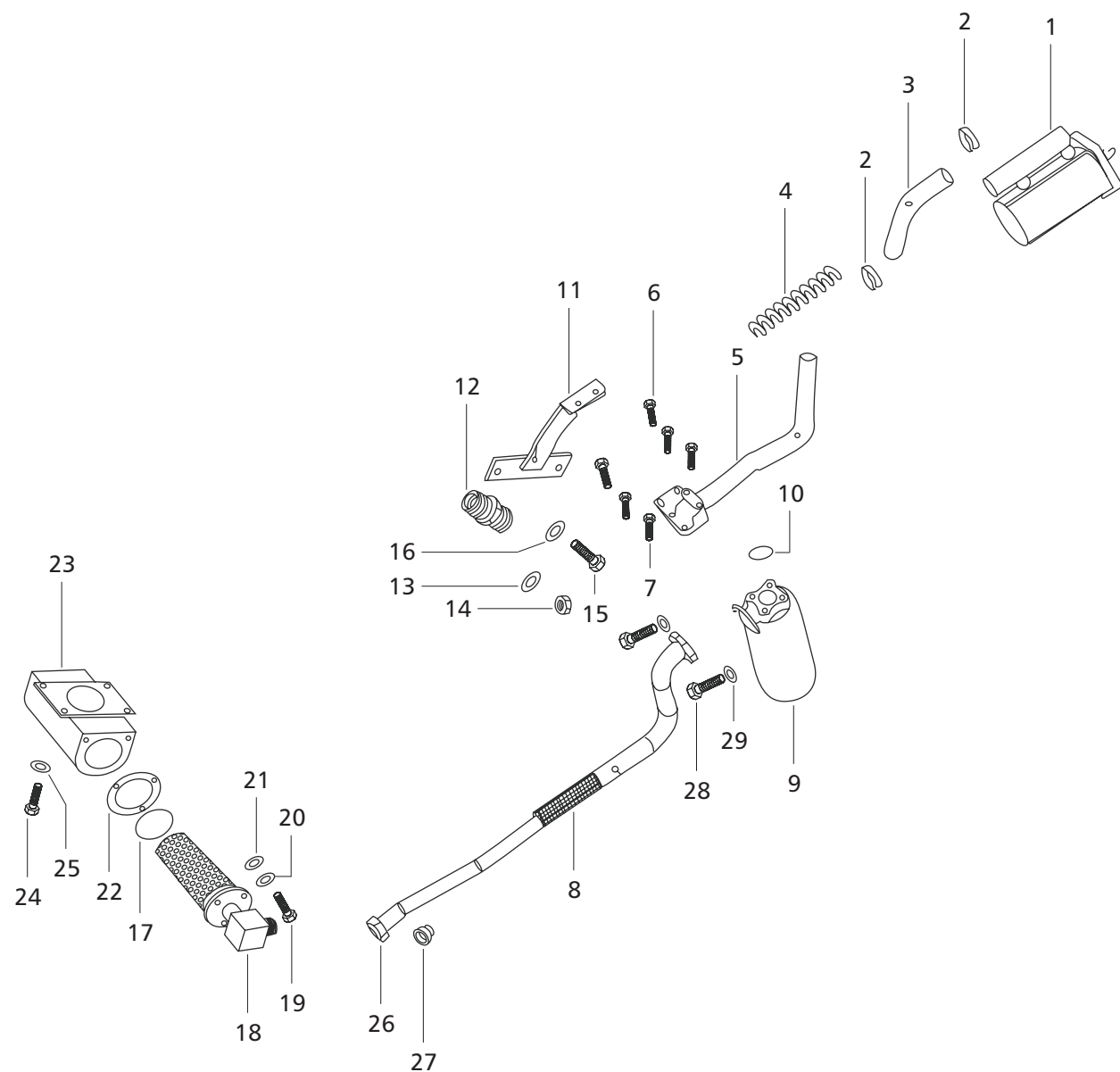


Steering Wheel

M&M Part Number	Ref.	Description of Part	Unit Quantity per tractor	Remarks / Service Bulletin No.
			595	
005556889R1	1	STEERING WHEEL Intermediate	1	
000103030	2	NUT Wheel	1	
000060869M01	3	CAP Steering Wheel	1	
000124549	*	KEY Woodruff	1	

* Parts Not Illustrated

Power Steering Pipes & Fittings - Suction Lines

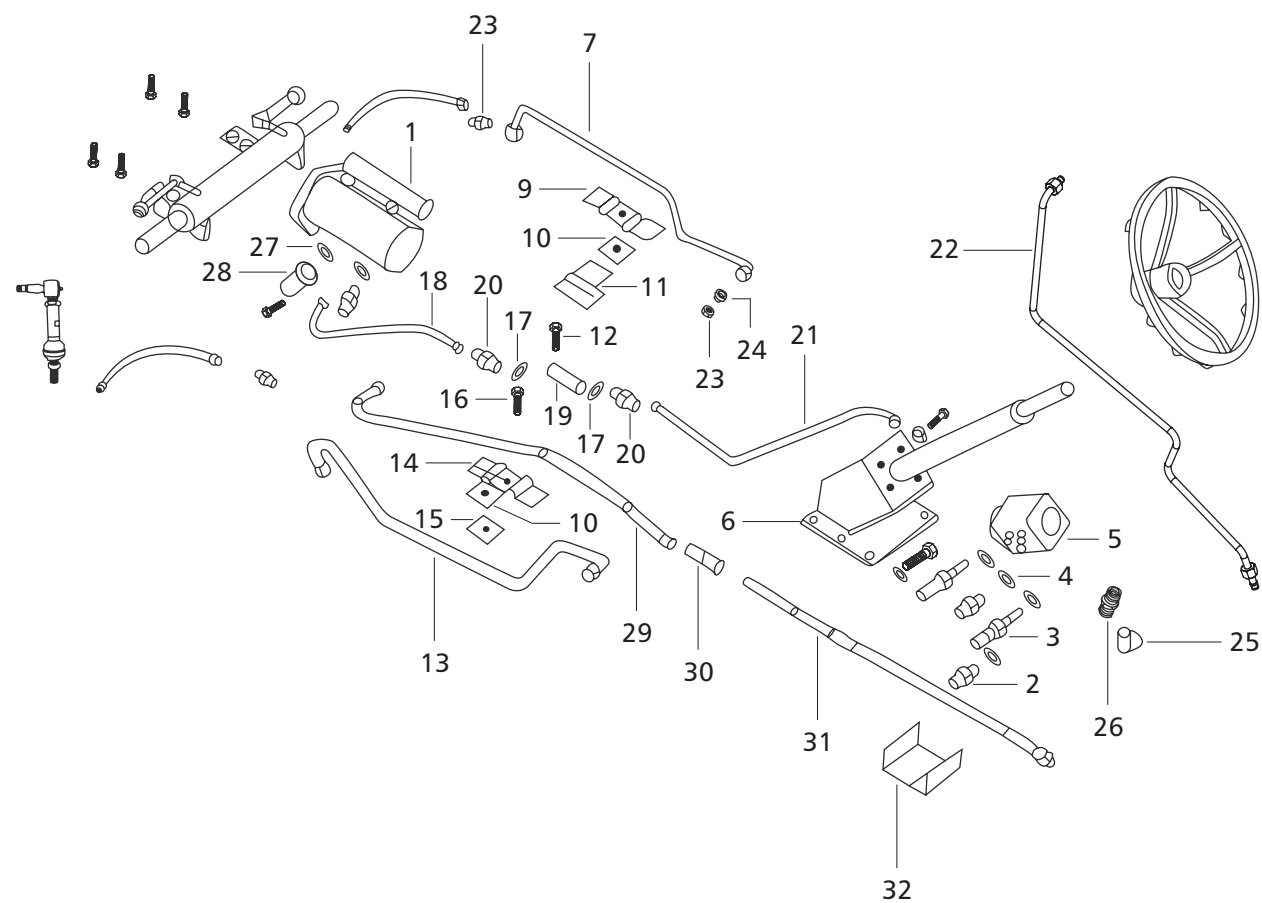


Power Steering Pipes & Fittings - Suction Lines

M&M Part Number	Ref.	Description of Part	Unit Quantity	Remarks / Service Bulletin No.
			per tractor 595	
007205701B91	1	HYDRAULIC PUMP for Power Steering 12+8CC	1	
000013499P04	2	CLIP Hose for Pump Manifold (Dia 43)	1	
000051191D02	3	HOSE Suction Dia. 25mm	1	
007606086B1	4	SPRING Suction Hose	1	
007608528B11	5	PIPE Suction Filter to Pump for OIB & Power Strg.	1	
000020309E05	6	BOLT Hex Head	2	
000020256E05	7	BOLT for Bracket L&R Mounting	6	
007207102B91	8	PIPE Suction Filter to Strainer	1	
007202697C91	9	FILTER Suction Assy for Power Steering	1	
007202179D1	10	▶ O-RING Filter Head Ashra	1	
007606188B1	11	BRACKET Suction Filter	1	
008000631B1	12	STUD Filter Bolt	1	
001082014R2	13	WASHER Spring Filter Mounting	1	
000120378	14	NUT Clutch Housing	1	
000179883	15	BOLT	1	
000120396	16	WASHER Plain	1	
000704348R1	17	O-RING Suction Filter	1	
007207071B1	18	STRAINER Suction OIB Assy.	1	
000022271RD	19	BOLT M8 x 1.25 x 22-H3	3	
000934309R1	20	WASHER M8 Spring Manifold Mtg	3	
000060686M01	21	WASHER Plain M8	3	
007201350C1	22	GASKET Suction Strainer OIB	1	
007205322B1	23	STRAINER BOX PS	1	
000179838	24	BOLT Strainer Box Mounting	4	
001082012R2	25	WASHER Spring Lock	4	
007201373C1	26	NUT	1	
007205112B1	27	FERRULE	1	
007200618C1	28	SCREW Allen M6 x 45 Long	4	
000706072R1	29	WASHER Lock	4	
007201407C1	*	KIT SEAL - Tandem Pump	1	
007202702C1	*	▶ CANNISTER Filter Suction OIB	1	
007203045C1	*	▶ HEAD Filter Suction OIB	1	
007206391B1	*	KIT Seal Tandem Pump (DOWTY)	1	

* Parts Not Illustrated

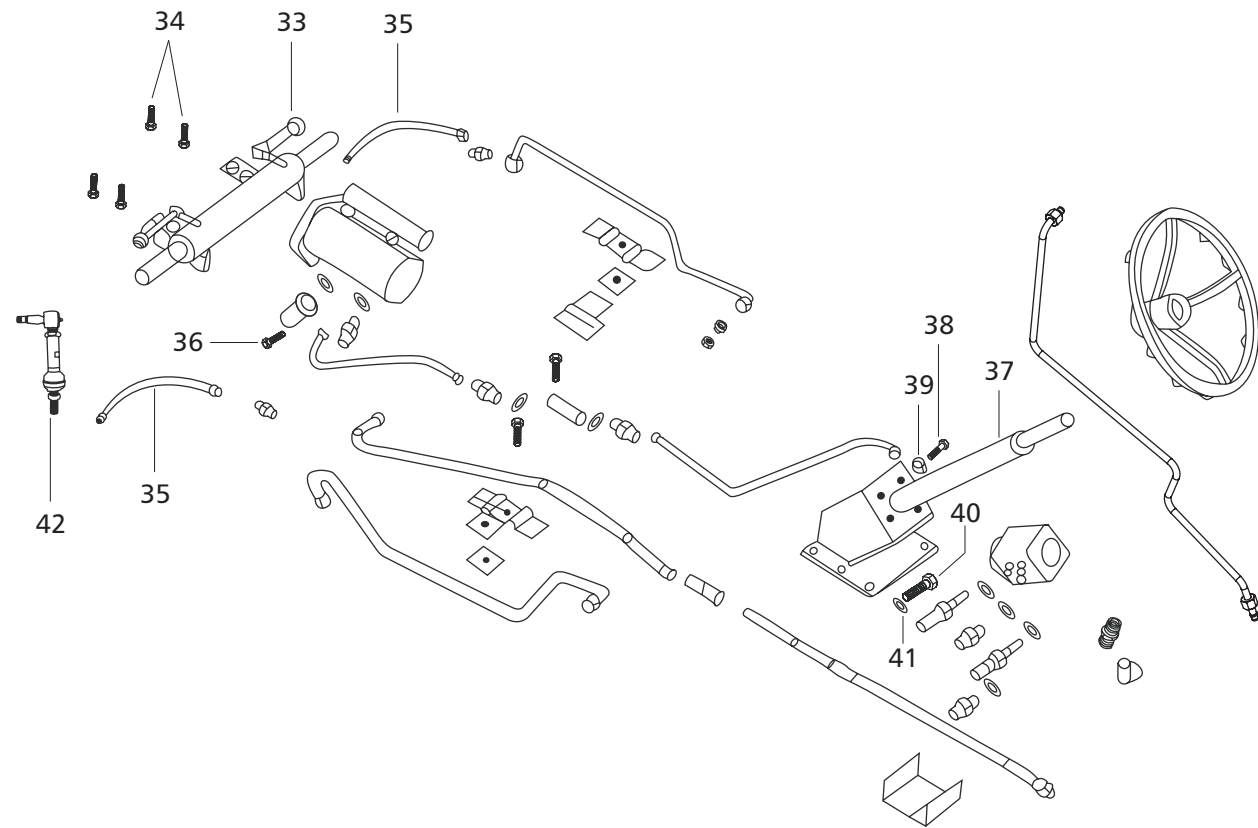
Power Steering Pipes & Fittings - Pressure Lines



Power Steering Pipes & Fittings - Pressure Lines

M&M Part Number	Ref.	Description of Part	Unit Quantity	Remarks / Service Bulletin No.
			per tractor 595	
007205701B91	1	HYDRAULIC PUMP for Power Steering 12+8CC	1	
000051410D01	2	ADAPTER - Flex 4	1	
007200811C1	3	ADAPTER 'P' Port of HSU	1	
000051411D01	4	O-RING for Port Adaptors	4	
007205647B92	5	POWER STEERING UNIT (HSU)	1	
005559323B92	6	BRACKET HSU Mtg. 63°	1	
007606799B91	7	PIPE HSU to Cylinder L-Port	1	
007536258B1	8	CLAMP for Pipe	1	
007201243C1	9	PLATE Top Clamp	2	
007201304C1	10	RUBBER Packing Power Steering Bracket	2	
007201242C1	11	PLATE Base Clamp	2	
001121502R1	12	SCREW	2	
007609032B91	13	PIPE HSU to Cylinder R-Port	1	
007201579D1	14	CLAMP For Pipe	1	
007201589D1	15	PLATE Clamp	1	
000020311E05	16	BOLT Collar Hex. Head	1	
000704337R1	17	WASHER Sealing BSP	3	
007204836B1	18	PIPE Pump to HSU 1 of 2	1	
007203739B91	19	VALVE Check	1	
007200595C1	20	COUPLING Male Stud	1	
007204836B1	21	PIPE Cpte Pump to HSU - (HSU End)	1	
007207207B91	22	PIPE HSU to Strainer	1	
000051409D01	23	NUT	1	
007205107B1	24	FERRULE	1	
008000766G1	25	SWIVEL ELBOW M20 x 12 Pipe	1	
000051687D01	26	STUD Coupling	1	
000377952R1	27	O-RING	1	
007606096B1	28	CONNECTOR Pipe Pressure	1	
007204837B2	29	PIPE Presuure Pump to VTU 1 of 2 for Power Strg.	1	
005559498B1	30	CONNECTOR for Pressure Pipe dia 18 mm	1	
007606077B91	31	PRESURE PIPE - 2 VTU End for Power Strg.	1	
007538248B91	32	GUARD Pipe	1	

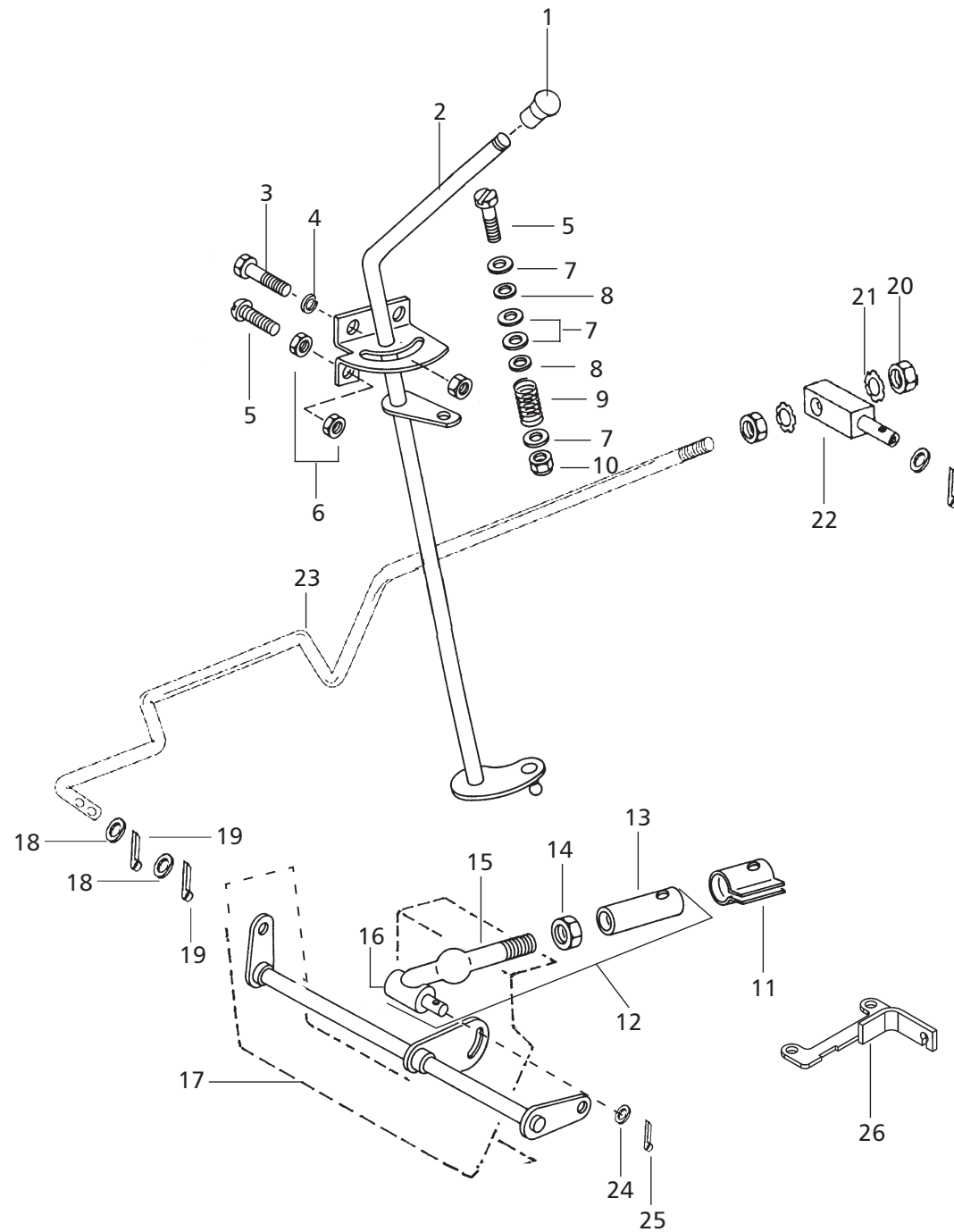
Power Steering Pipes & Fittings - Pressure Lines



Power Steering Pipes & Fittings - Pressure Lines

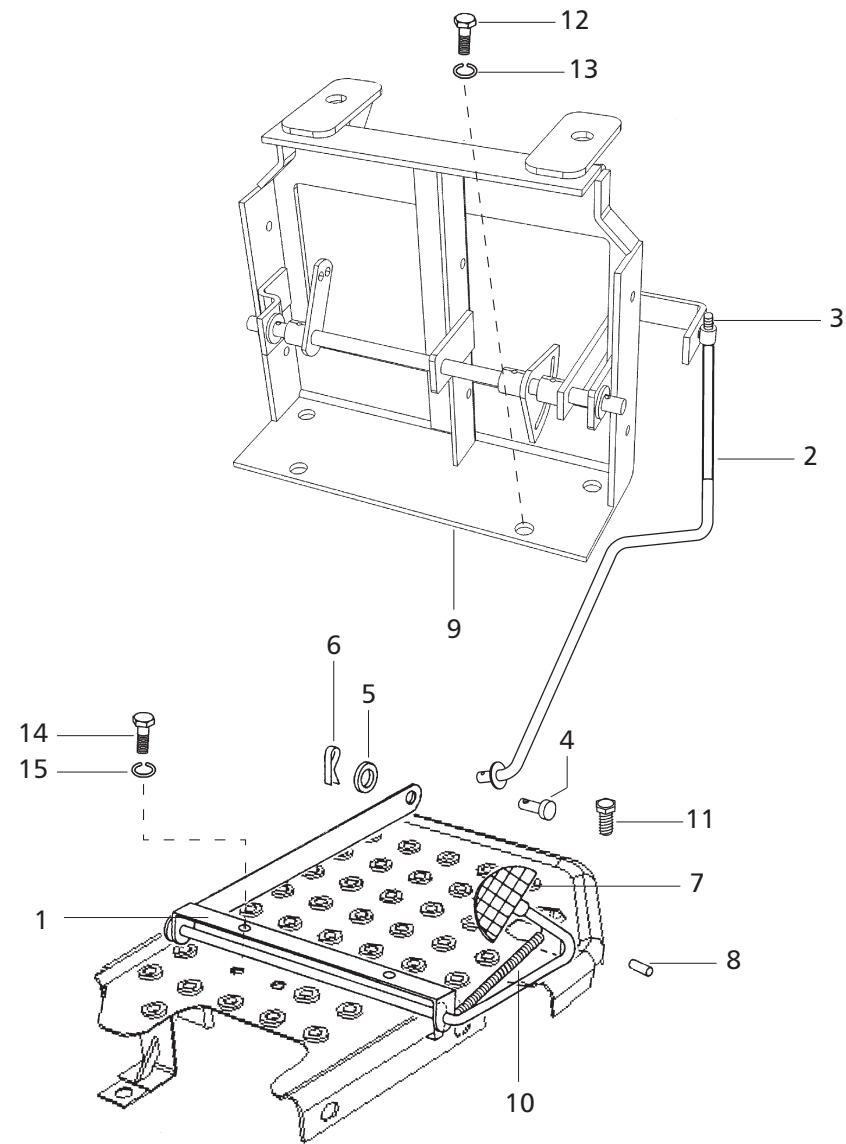
M&M Part Number	Ref.	Description of Part	Unit Quantity per tractor	Remarks / Service Bulletin No.
			595	
GPHY00004B91	33	CYLINDER Power Steering 50 x 30 x 210	1	
000020305E05	34	BOLT Hex. Head	4	
007202316C91	35	HOSE Flexible	2	
001082252R1	36	SCREW Allen Cap	2	
007608195B91	37	COLUMN Steering Assembly	1	
000051420D01	38	BOLT HSU Mounting Hex. Head	3	
005555988R1	39	WASHER Spring Lock	3	
000179860	40	BOLT	4	
000115550	41	WASHER	4	
007605805B92	42	CONNECTING TIE ROD Assy. for H1 Power Strg.	2	

THROTTLE LINKAGES



M&M Part Number	Ref.	Description of Part	Unit Quantity per tractor	Remarks / Service Bulletin No.
			595	
007535997B1	1	KNOB Governor Control Lever	1	
007602057B11	2	GOVERNOR Control Lever Cpte	1	
000180018	3	BOLT 1/4" UNC x 5/8" Hex. Hd	2	
001082010R2	4	WASHER 1/4" Spring Lock	2	
000225507	5	SCREW 1/4" UNC x 1-3/4" Hex. Hd	2	
000114492	6	NUT 1/4" UNC Jam Hex	2	
003047325R1	7	WASHER Governor Control	4	
000704681R2	8	WASHER Fibre	2	
003047323R1	9	SPRING Governor Control Friction	1	
001121174R1	10	NUT 1/4" UNC Nyloc	1	
005550498R1	11	SHORT LINK End Lock Clip	1	
007607256B91	12	CONTROL ROD Assembly Cpte. Comprising Of	1	
000061335M01	13	▶ END Control Rod	1	
005551010R1	14	▶ NUT M6 x 1 Hex. Lock	1	
005554755R1	15	▶ CONTROL ROD to Cross Shaft	1	
005550495R1	16	▶ SWIVEL Control Rod	1	
008000277B91	17	SUPPORT Cpte Scuttle Rear W/Cross Shaft	1	
000016559R2	18	WASHER Plain 0.218 x 0.437 x 0.036	3	
000103361	19	PIN Cotter 1/16" x 1/2"	3	
000120376	20	NUT 5/16" UNC Hex.	2	
000114605	21	WASHER 5/16" External Tooth Lock	2	
005550039R1	22	PIVOT Governor Control Rod	1	
007606359B1	23	ROD Governor Control	1	
000446161	24	WASHER	1	
000103361	25	SPLIT PIN	1	
005557006R1	26	BRACKET Pull to Stop Cable	1	
005557674R97	*	PULL TO STOP CABLE	1	

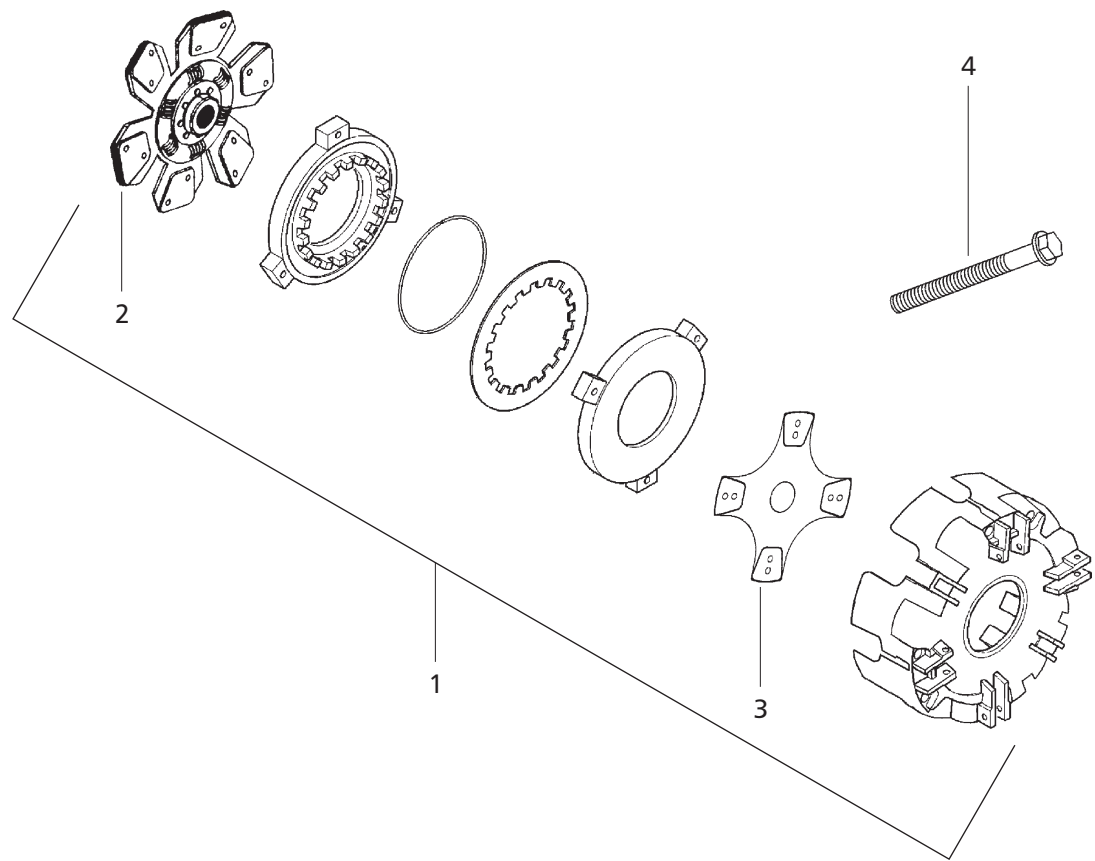
Foot Throttle Linkages



Foot Throttle Linkages

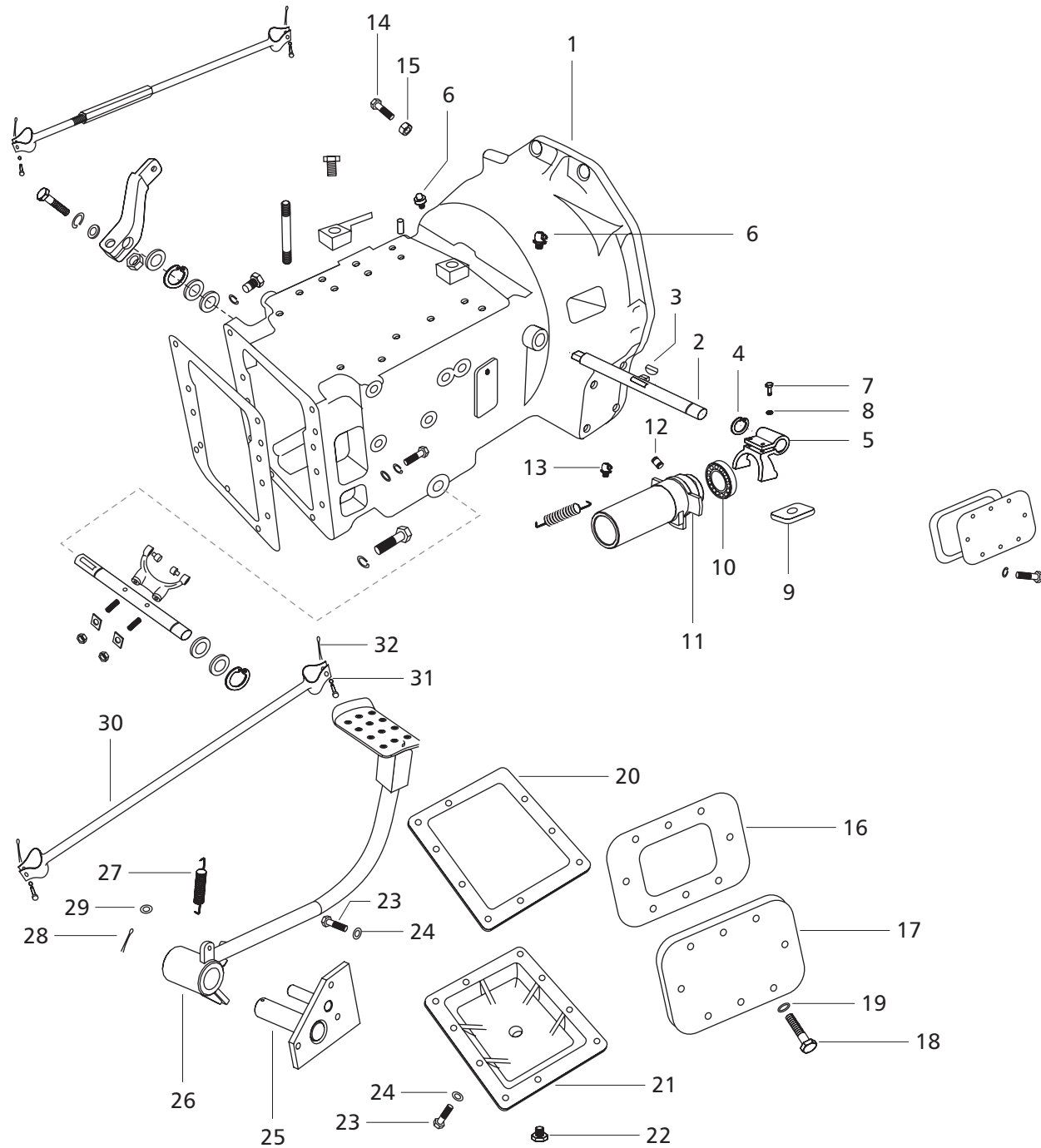
M&M Part Number	Ref.	Description of Part	Unit Quantity	Remarks / Service Bulletin No.
			per tractor 595	
008000357B91	1	CONTROL FOOT ASSY	1	
007604145B11	2	CONTROL ROD Cpte Foot Pedal to Cross Shaft	1	
000114501	3	NUT 1/4" Hex Jam	2	
000039374D	4	PIN Rod End	1	
000120393	5	WASHER Plain	1	
000103361	6	COTTER	1	
000061151M01	7	PEDAL Foot Accelerator Cpte	1	
000017047R1	8	PIN Slotted Spring	1	
008000277B91	9	SUPPORT Cpte Scuttle Rear w/Cross Shaft	1	
007600461R1	10	SPRING Foot Pedal Return	1	
001232845R1	11	BOLT Stopper for Foot Accelerator	1	
000179857	12	BOLT Plated Support Mtg. 7/16"	4	
001082013R2	13	WASHER Spring 7/16"	4	
000179838	14	BOLT	2	
001082012R2	15	WASHER Spring	2	

CLUTCH



M&M Part Number	Ref.	Description of Part	Unit Quantity per tractor	Remarks / Service Bulletin No.
			595	
006505585C91	1	CLUTCH COVER Assy. RCRPTO	1	
006504375C91	2	PLATE Driven Main	1	
006505586C91	3	PLATE Driven PTO	1	
000010779P03	4	BOLT Clutch Cover Mounting	12	

Clutch Housing & Connections (RCRPTO)

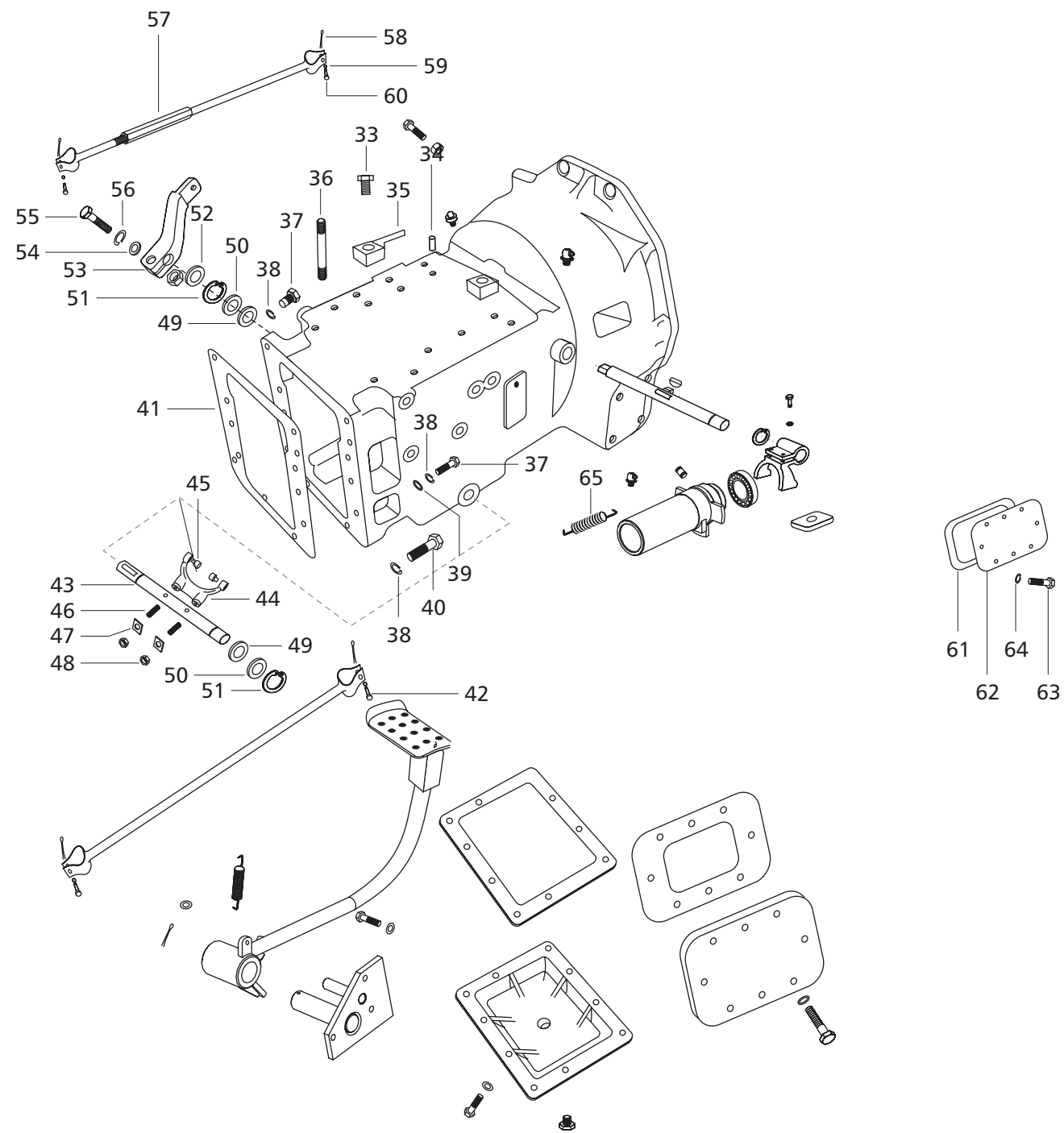


Clutch Housing & Connections (RCRPTO)

M&M Part Number	Ref.	Description of Part	Unit Quantity	Remarks / Service Bulletin No.
			per tractor	
			595	
006510329C2	1	CLUTCH HOUSING Cpte. for CRPTO Model	1	
003071270R5	2	SHAFT Clutch Release	1	
003047229R3	3	KEY Clutch Lever	1	
001127629R2	4	CIRCLIP External	1	
003044005R5	5	FORK Clutch Release CRPTO	1	
000109462	6	GREASE NIPPLE	2	
000706732R1	7	BOLT	2	
001082011R2	8	WASHER	2	
006500272C1	9	SPACER - Clutch Release Fork	1	
005558288R92	10	BEARING Antifriction Clutch M/s Texpin - CRPTO	1	
006502374B1	11	SLEEVE Clutch Release - CRPTO	1	
003045088R3	12	INSERT	2	
000109461	13	GREASE NIPPLE	1	
000061051M01	14	BOLT	1	
000124589	15	NUT	1	
006502145C1	16	GASKET Hand Hole Cover	1	
000032546B12	17	COVER Hand Hole Cpte.- CRPTO	1	
000179837	18	BOLT	8	
001082012R2	19	WASHER Spring Lock	8	
005557831R1	20	GASKET Oil Pan	1	
006500205C1	21	PAN Oil Clutch Housing	1	
005556422R2	22	PLUG Drain With Permanent Magnet	1	
000179840	23	BOLT	14	
001082012R2	24	WASHER Spring Lock	14	
007605346B11	25	BRACKET Clutch Pedal Mounting For - CRPTO	1	
007605347B11	26	PEDAL Clutch Assembly For - CRPTO	1	
000705252R3	27	SPRING Clutch Pedal Return	1	
000103411	28	PIN COTTER	1	
005552116R1	29	WASHER Brake Pedal Shaft (Thick)	AR	
007605343B91	30	CONNECTING LINK Clutch for - RCRPTO	1	
000120393	31	WASHER Plain	2	
000103374	32	PIN Cotter	2	

AR - As Required

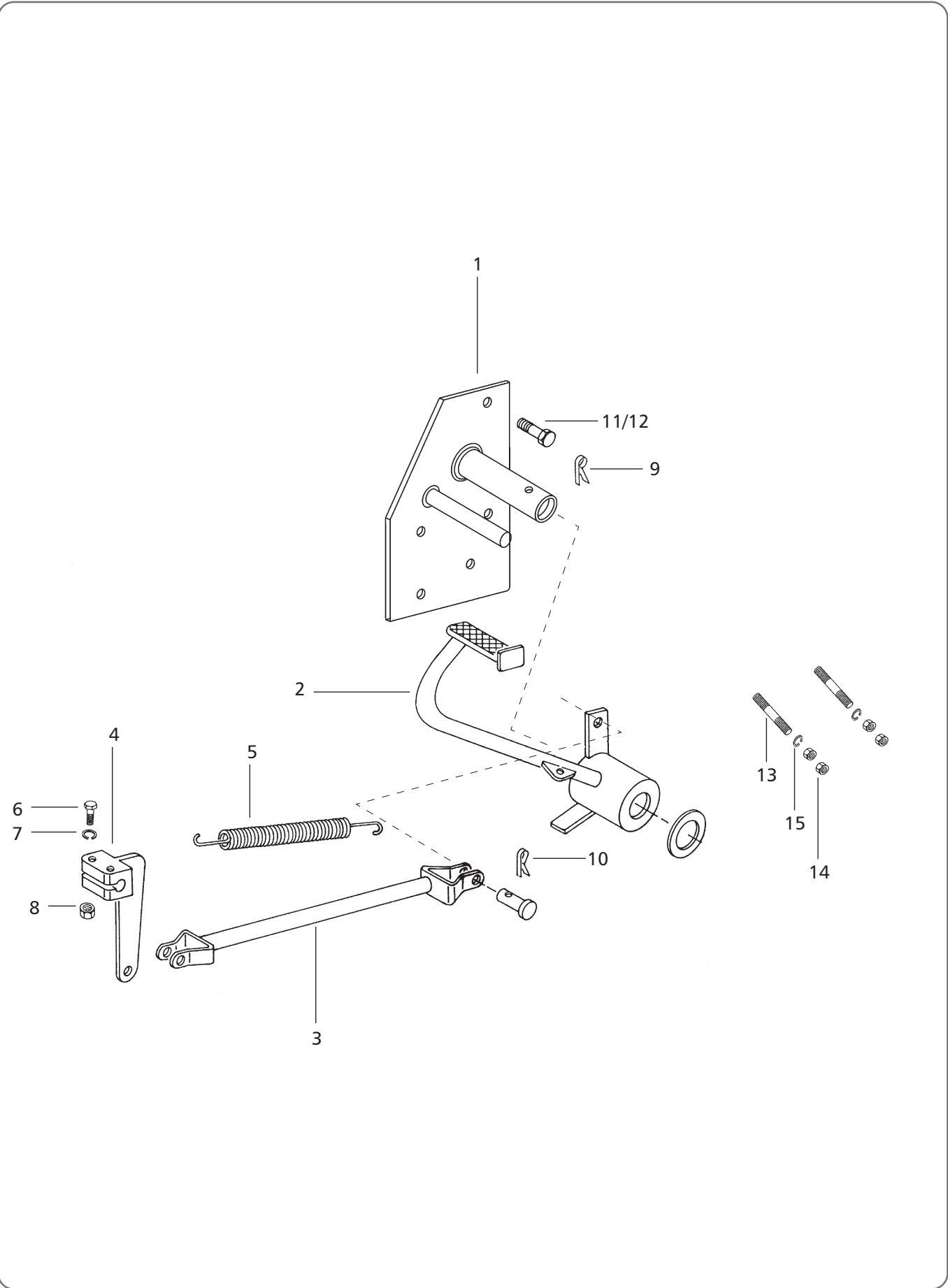
Clutch Housing & Connections (RCRPTO)



Clutch Housing & Connections (RCRPTO)

M&M Part Number	Ref.	Description of Part	Unit Quantity	Remarks / Service Bulletin No.
			per tractor 595	
000051287D01	33	BOLT	2	
000141284	34	PIN Dowel	2	
000060802M01	35	SPACER Fuel Tank Braket	2	
000709473R1	36	STUD	1	
000032145B12	37	BOLT	8	
001082012R2	38	WASHER Spring Lock	10	
000120396	39	WASHER Plain	6	
000032825B12	40	BOLT	2	
006505824C1	41	GASKET Clutch Housing to Trans Case CRPTO	1	
000039374D	42	PIN	2	
006500213C1	43	SHAFT 2 Speed PTO Gear	1	
006500207C1	44	FORK 2 Speed Shifter Gear	1	
005551805R1	45	PIN Gear Shifter Fork	2	
000031257B12	46	SCREW Grub Cam Clamp	2	
000031993B12	47	LOCK PLATE Gear Shifter Cams	2	
000031258B12	48	NUT Cam Clamp	2	
005553967R91	49	OILSEAL PTO Shifter Assembly	2	
005551798R2	50	WASHER Retaining Shifter Shaft	2	
005551799R1	51	CIRCLIP Shifter Shaft	2	
006500272C1	52	SPACER Clutch Release Fork	1	
006500215C1	53	SHIFTER Lever 2 Speed Shaft	1	
006500201C1	54	SPACER Key 2 Speed Shaft	1	
000030020R1	55	BOLT (Shifter Lever)	1	
000022079RD	56	WASHER Spring M10	1	
007605343B91	57	CONNECTING LINK Clutch for - RCRPTO	1	
000103373	58	PIN Cotter	2	
000120393	59	WASHER Plain	2	
000039374D	60	PIN	2	
006502225C1	61	GASKET Cover Plate	1	
006502145C1	62	COVER Plate	1	
001082012R2	63	WASHER Spring Lock	8	
000179838	64	BOLT Strainer Box Mounting	8	
005550488R1	65	SPRING Retaining Clutch Release Bearing	1	

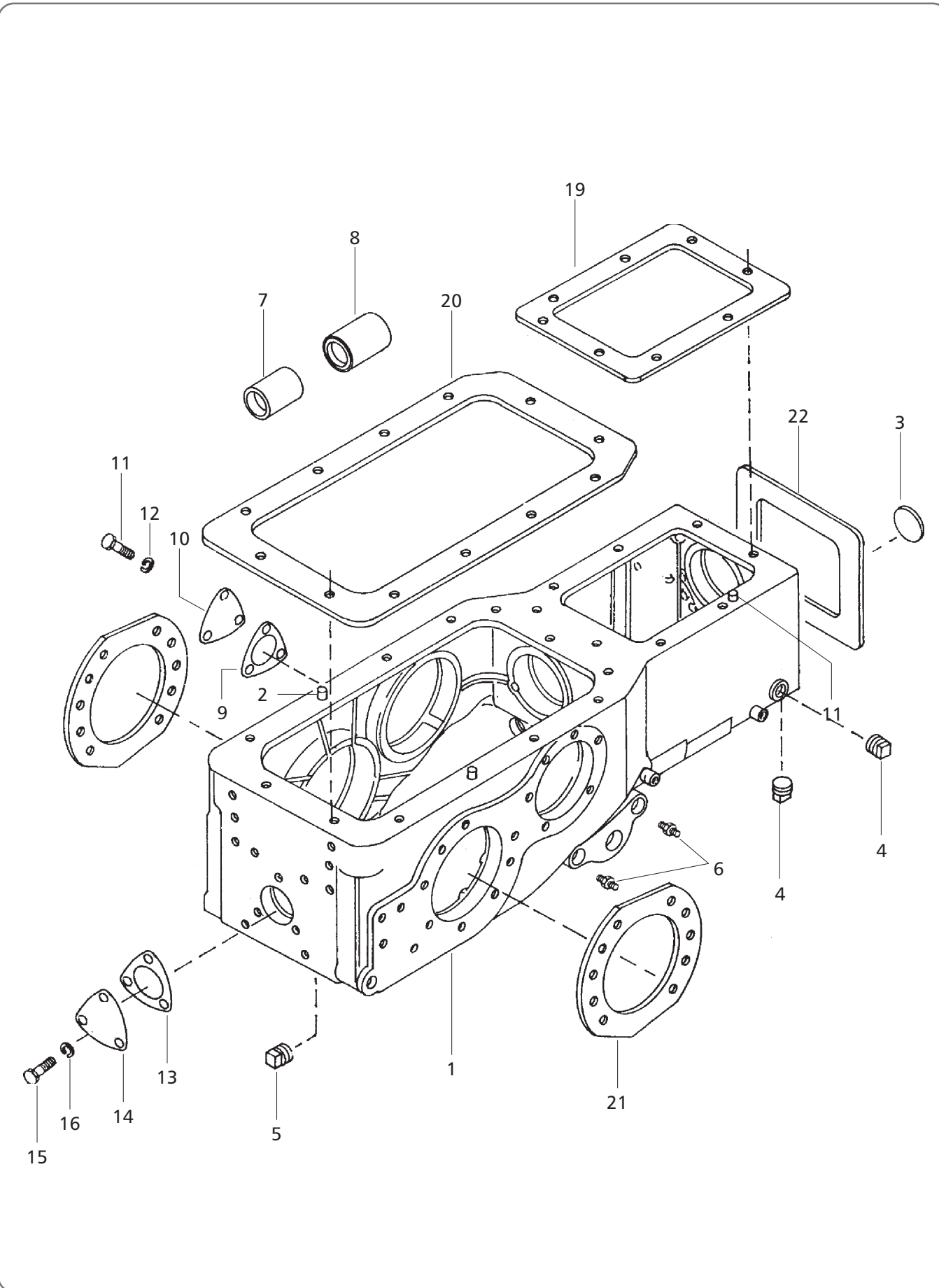
Cluth Pedal & Connection



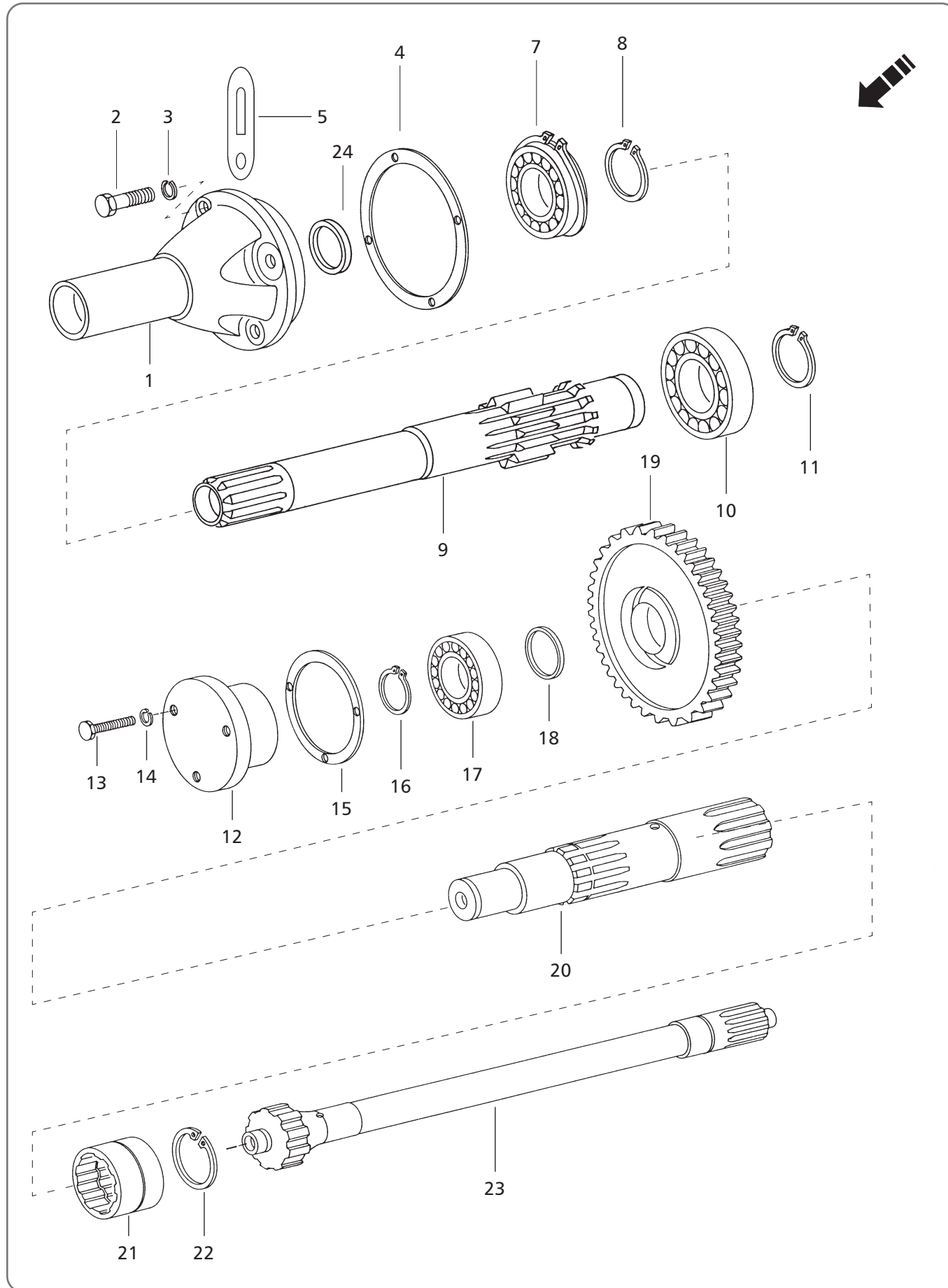
Cluth Pedal & Connection

M&M Part Number	Ref.	Description of Part	Unit Quantity	Remarks / Service Bulletin No.
			per tractor 595	
007605346B11	1	BRACKET Clutch Pedal Mtg	1	
007605347B11	2	PEDAL Clutch Cpte with Grease Nipple	1	
008000126B91	3	LINK Connecting Cpte	1	
006501529R91	4	LEVER Clutch Shaft	1	
000705252R3	5	SPRING Clutch Pedal Return	1	
000181379	6	BOLT	2	
001082012R2	7	WASHER Spring	2	
000751872R1	8	NUT	2	
000103411	9	PIN Cotter Big	1	
000103374	10	PIN Cotter Small	3	
000179842	11	BOLT 3/8" UNC x 1-3/8"	2	
000179840	12	BOLT 3/8" UNC x 1-1/8"	4	
007900272B1	13	STUD Rocker Shaft End Bracket	2	
000022055RD	14	NUT	4	
005555988R1	15	WASHER Spring	2	

C.R.P.T.O. & TRANSMISSION

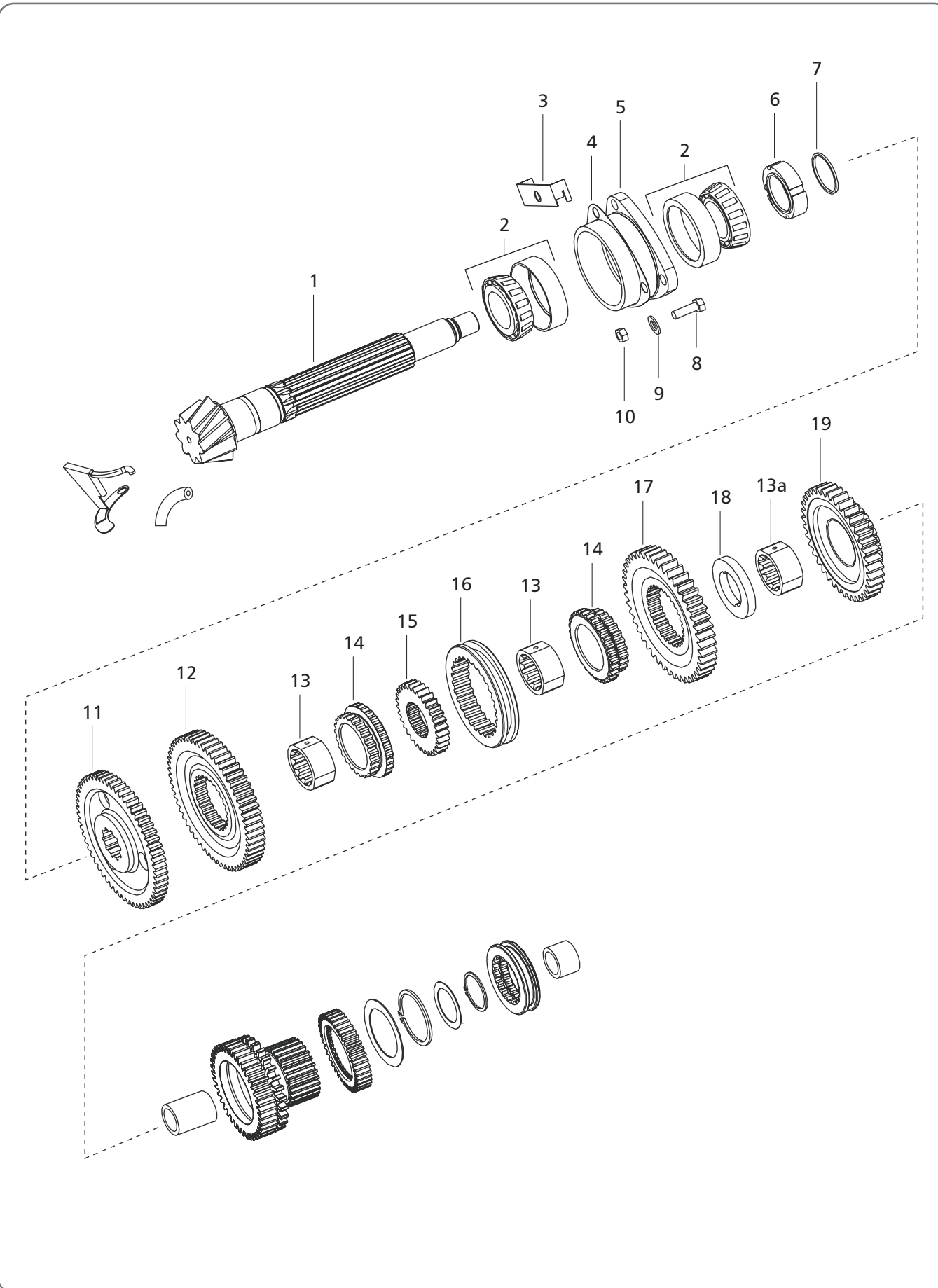


M&M Part Number	Ref.	Description of Part	Unit Quantity	Remarks / Service Bulletin No.
			per tractor 595	
006505429C1	1	TRANSMISSION CASE Cpte.	1	
005550183R1	2	PIN Dowel Cylinder Head Mounting	2	
005555715R1	3	PLUG Expansion	1	
005556422R2	4	PLUG Drain With Permanent Magnet	2	
001099900R2	5	PLUG Drain Magnetic	1	
000109462	6	GREASE NIPPLE	2	
001231710R1	7	BUSH Reverse Idler Gear Rear	1	
005555713R91	8	BEARING Needle	1	
001233558R2	9	GASKET P.T.O. Shifter Shaft	1	
000704392R4	10	BRACKET PTO Shifter - Standard / CRPTO	1	
000179837R1	11	BOLT	3	
001082012R2	12	WASHER Spring Lock	3	
006502876C2	13	GASKET Trans Case - P.T.O. Oil Seal Retainer	1	
006502547C11	14	CAP Safety PTO	1	
000032824B12	15	BOLT	3	
001082011R2	16	WASHER	3	
005557285R1	17	SEAL Drain Plug Transmission	3	
006500880R1	18	WIRE Sealing	3	
000031163B12	19	GASKET Transmission Case Cover Front	1	
40.287	20	GASKET Transmission Case Cover Rear	1	
001233548R1	21	GASKET Rear Axle Carrier	1	
006500462C1	22	GASKET Clutch Housing to Trans Case CRPTO	1	



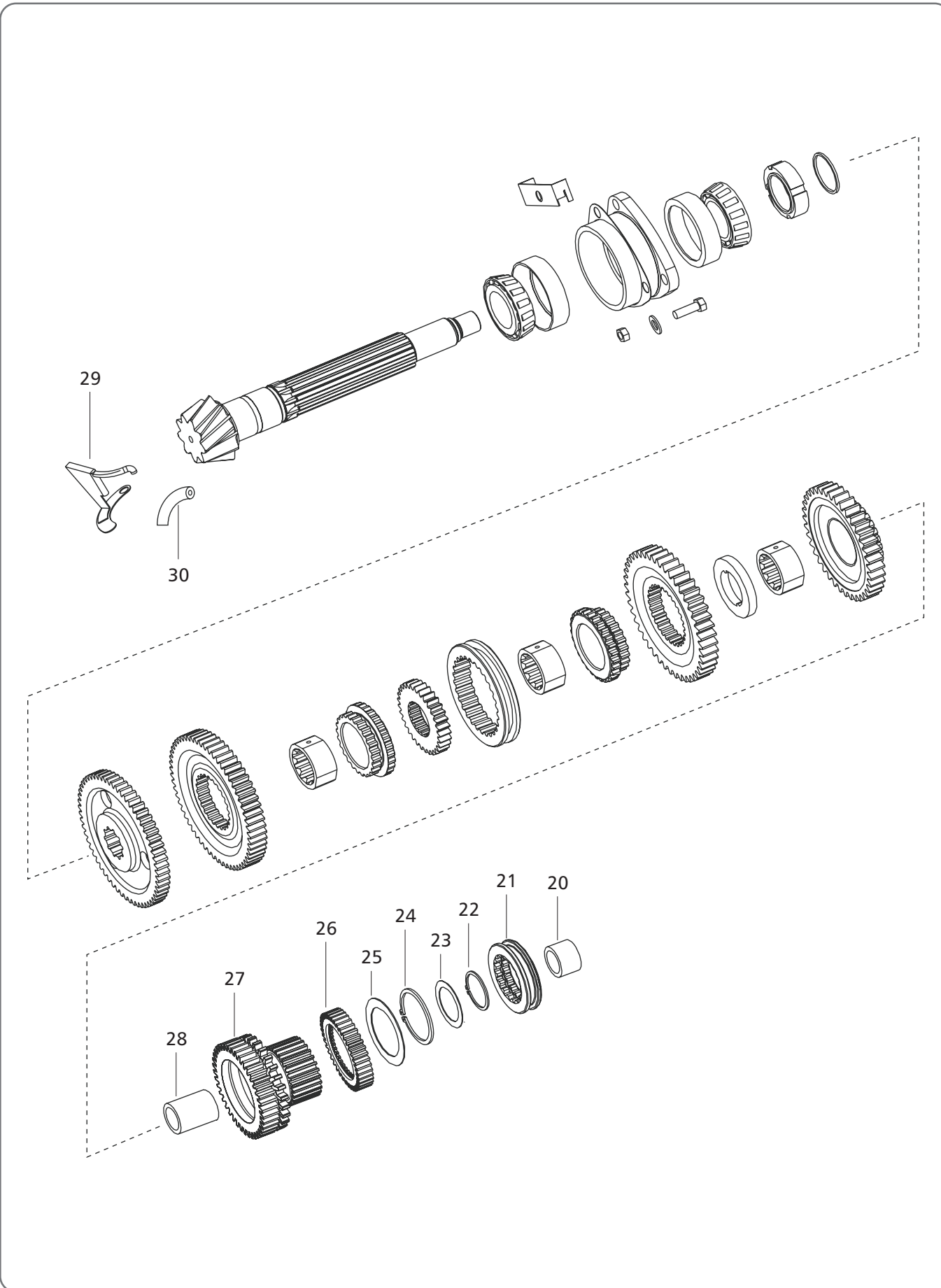
M&M Part Number	Ref.	Description of Part	Unit Quantity	Remarks / Service Bulletin No.
			per tractor	
			595	
006502863C2	1	HOUSING Bearing Cpte	1	
000706732R1	2	BOLT	4	
001082011R2	3	WASHER Spring Lock 5/6"	4	
006502610R1	4	GASKET Bearing Housing	1	
003070930R2	5	CLIP Cable	1	
006504265C2	6	SHAFT Drive Hollow P.T.O Cpte comprising of	1	
000032504B12	7	▶ BEARING 6209 - Hsg Sleeve Carrier	1	
000032604B12	8	▶ CIRCLIP	1	
005555086R2	9	▶ SHAFT Drive Hollow P.T.O.	1	
0000000K6	10	BEARING Ball (6211 SKF) - Hollow Shaft Rear	1	
000032604B12	11	CIRCLIP External 30mm	1	
006500208C1	12	END COVER	1	
005552891R1	13	BOLT 1/4" x 3/4" Hex Hd	3	
001082010R2	14	WASHER Spring Lock 1/4"	3	
005551709R1	15	GASKET End Cover	1	
000751638R1	16	CIRCLIP External 50 mm	1	
005558405R91	17	BEARING Cyl Roller (NUP 2206 EC)	1	
005551703R1	18	SPACER	1	
000032538B12	19	GEAR P.T.O Driven (61 Teeth)	1	
0000000VC	20	SHAFT P.T.O Front	1	
005552638R1	21	COUPLING P.T.O Shaft	1	
005552639R1	22	CIRCLIP Internal 40 mm	1	
0000000EG	23	SHAFT P.T.O Centre	1	
006503743A1	24	OIL Seal Hollow Drive Shaft	2	
012338911R1	*	BOLT M10 x1.5 x 30 Hex. Hd	1	

‡ Not Serviceable Separately
 * Parts Not Illustrated

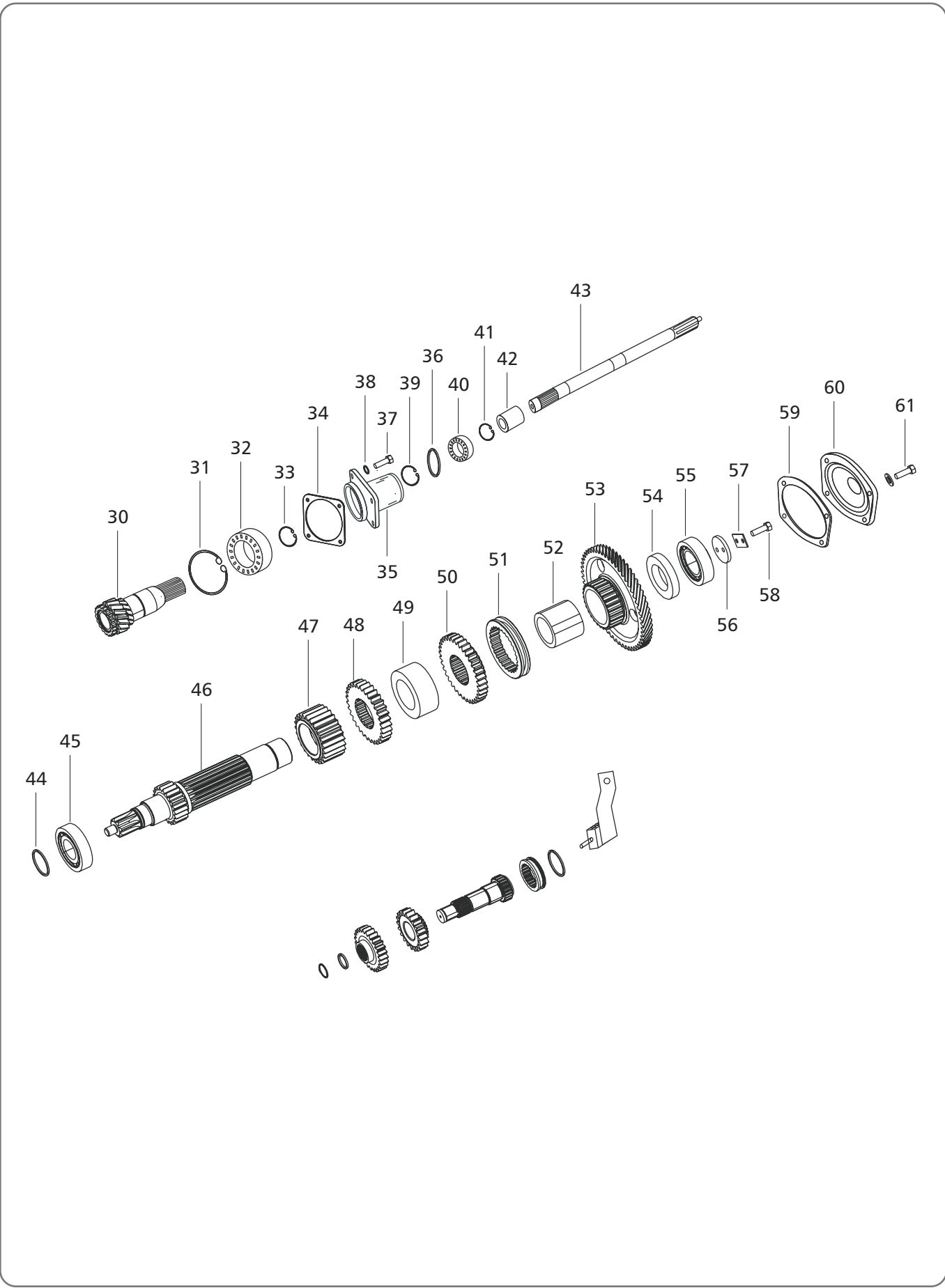


M&M Part Number	Ref.	Description of Part	Unit Quantity	Remarks / Service Bulletin No.
			per tractor 595	
006505465C91	*	SET OF TWO Assembly Consist of Ring Gear & Shaft Splined	1	
‡	1	▶ SHAFT Splined	1	
‡	*	▶ RING Gear	1	
005557131R91	2	BEARING Roller Taper Spline Shaft Rear	1	
000031996B12	3	OIL COLLECTOR	1	
003044038R1	4	SHIM Trans. Spline Shaft T. R. Bearing (0.003")	AR	
003044039R1	4	SHIM Trans. Spline Shaft T. R. Bearing (0.010")	AR	
003044040R1	4	SHIM Trans. Spline Shaft T. R. Bearing (0.004")	AR	
005551732R1	4	SHIM Trans. Spline Shaft T. R. Bearing (0.0108")	AR	
005551733R1	4	SHIM Trans. Spline Shaft T. R. Bearing (0.0016")	AR	
005551735R1	4	SHIM Trans. Spline Shaft T. R. Bearing (0.015")	AR	
005551736R1	4	SHIM Trans. Spline Shaft T. R. Bearing (0.030")	AR	
001232925R1	4	SHIM Trans. Spline Shaft T. R. Bearing (0.002")	AR	
005551734R1	4	SHIM Trans. Spline Shaft T. R. Bearing (0.016")	AR	
000031137B12	5	CAGE Bearing Spline Shaft	1	
003044035R1	6	NUT Lock Trans. Spline Shaft T.R. Brg.	2	
006500242C1	6	PLATE Lock (Ten Lugs)	1	
000032060B12	7	CIRCLIP 45 Dia Improved Transmission	1	
000186334	8	BOLT	1	
000114608	9	WASHER Tooth Lock Spline Shaft Retainer	3	
000103028	10	NUT Lock	3	
006502647C1	11	GEAR Reverse	1	
006504089C1	12	GEAR Driven 1st Speed - 52 Teeth	1	
006502631C1	13	BUSH Gear Driven 1st, 2nd Speed	2	
006502632C1	13a	BUSH Gear Driven 3rd Speed	1	
006502652C1	14	SPLINED Adapter Gear Driven 1st & 2nd	2	
006502464R2	15	HUB	1	
006501546R2	16	RING Control Shifting	1	
006502639C1	17	GEAR Driven 2nd Speed	1	
006501404C1	18	SPACER Gear Driven 2nd & 3rd Speed	1	
006501194C2	19	GEAR Driven 3rd Speed	1	

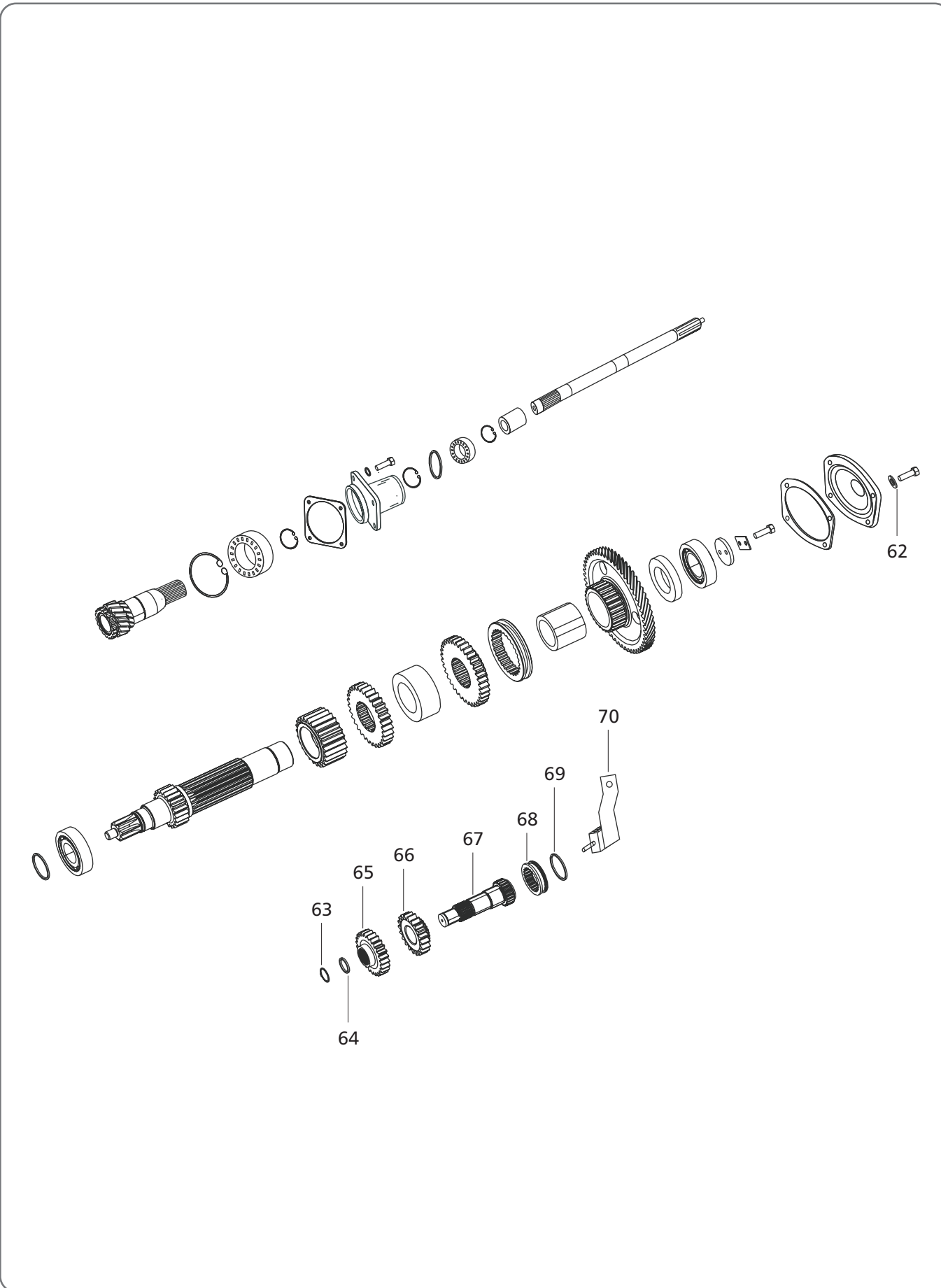
‡ Not Serviceable Separately
 * Parts Not Illustrated
 AR - As Required



M&M Part Number	Ref.	Description of Part	Unit Quantity per tractor	Remarks / Service Bulletin No.
			595	
005554802R91	20	BEARING Pilot Transmission Spline Shaft	1	
006502634C1	21	COUPLING High Speed (20MnCrS)	1	
000032120B12	22	CIRCLIP 28 mm Dia (Improved Transmission)	1	
000031207B12	23	SPACER Spline Shaft	1	
000031142B12	24	CIRCLIP Splined Adaptor 4th Speed	1	
006500657C1	25	SPACER Gear Driven 4th Speed	1	
006507268B1	26	GEAR Driven 4th Speed 29 Teeth	1	
006502654C1	27	ADAPTER 4th Gear	1	
005554892R91	28	BEARING Needle - Quill Gear	1	
000032143B12	29	OIL COLLECTOR - All SM & CM Models	1	
000032154B12	30	SPACER Oil Collector	1	



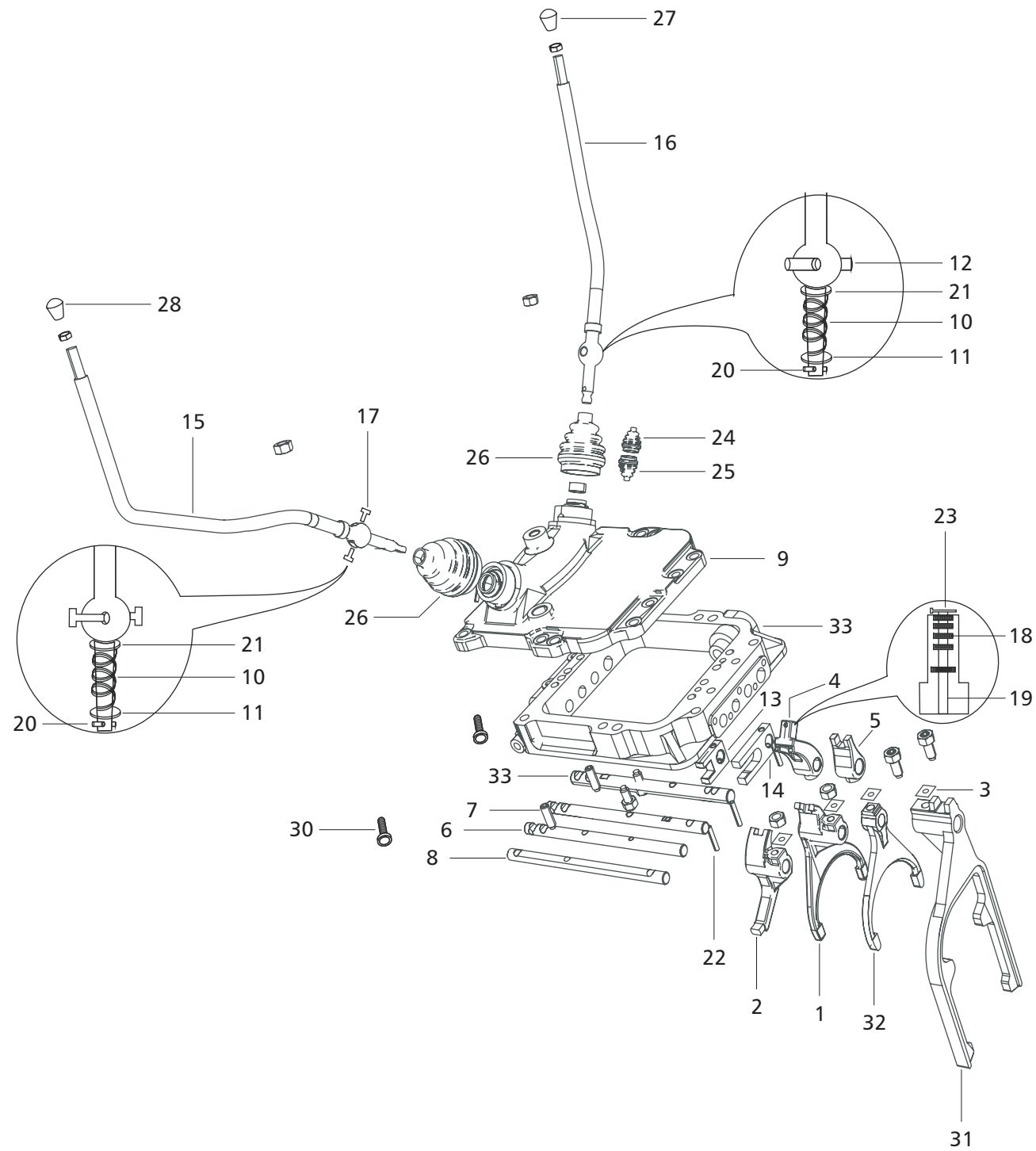
M&M Part Number	Ref.	Description of Part	Unit Quantity	Remarks / Service Bulletin No.
			per tractor 595	
006505357C1	30	SHAFT Split Drive Rear	1	
000751081R1	31	CIRCLIP Transmission Drive Shaft Bearing Retaining	1	
000012146P04	32	BEARING Transmission Drive Shaft	1	
000751146R1	33	CIRCLIP Trans. Drive Shaft Brg. Retaining External	1	
001233552R2	34	GASKET Bearing Housing	1	
006504441C1	35	CAGE Brg. Transmission Drive Shaft	1	
005558067R91	36	OIL SEAL	1	
000179840	37	BOLT	4	
001082012R2	38	WASHER Spring Lock	4	
000012353P04	39	CIRCLIP External dia. 35	1	
001081964R91	40	BEARING Drive Shaft Front	1	
006500225C1	41	CIRCLIP	1	
006503135C1	42	COUPLING PTO For RCRPTO	1	
006505427C1	43	SHAFT Split Drive Front	1	
000703984R1	44	CIRCLIP Trans. Counter Shaft Rear Ball Brg Retainer	1	
005555311R91	45	BEARING Trans. Counter Shaft Rear	1	
006504276C1	46	SHAFT Counter (Solid - for Base model)	1	
006502645C1	47	GEAR Driving 2nd Speed	1	
006501193C2	48	GEAR Driving 3rd Speed	1	
006501403C1	49	SPACER	1	
006507267B1	50	GEAR Driving 4th Speed - 35 teeth	1	
006501546R2	51	RING Control Shifting	1	
000033035B12	52	BUSH Constant Mesh Gear	1	
006502637C1	53	GEAR Constant Mesh	1	
000751059R1	54	SPACER Counter Shaft	1	
001081668R91	55	BEARING Trans. Counter Shaft Front	1	
000031247B12	56	WASHER Counter Shaft Retaining	1	
000031243B12	57	PLATE Lock Counter Shaft	1	
005555357R1	58	BOLT Retaining Washer	2	
001233559R1	59	GASKET Trans. Counter Shaft Bearing Retainer	1	
000751062R1	60	RETAINER Counter Shaft Brg. Front	1	
000179840	61	BOLT	4	



M&M Part Number	Ref.	Description of Part	Unit Quantity per tractor	Remarks / Service Bulletin No.
			595	
001082012R2	62	WASHER Spring Lock	4	
000032097B12	63	CIRCLIP External 25mm (Reverse Idler Shaft) Rear	1	
003110755R3	64	WASHER Reverse Idler	1	
006502644C1	65	GEAR Driving Reverse Speed	1	
006502642C1	66	GEAR Driven Reverse Speed	1	
006502649C1	67	SHAFT Reverse Idler	1	
006502635C1	68	COUPLING Idler Gear	1	
000703984R1	69	CIRCLIP Trans. Counter Shaft Rear Ball Brg Retainer	1	
006508301C1	70	CHANNEL Oil Cpte.	1	
005554892R91	*	BEARING Needle - Quill Gear	1	

* Parts Not Illustrated

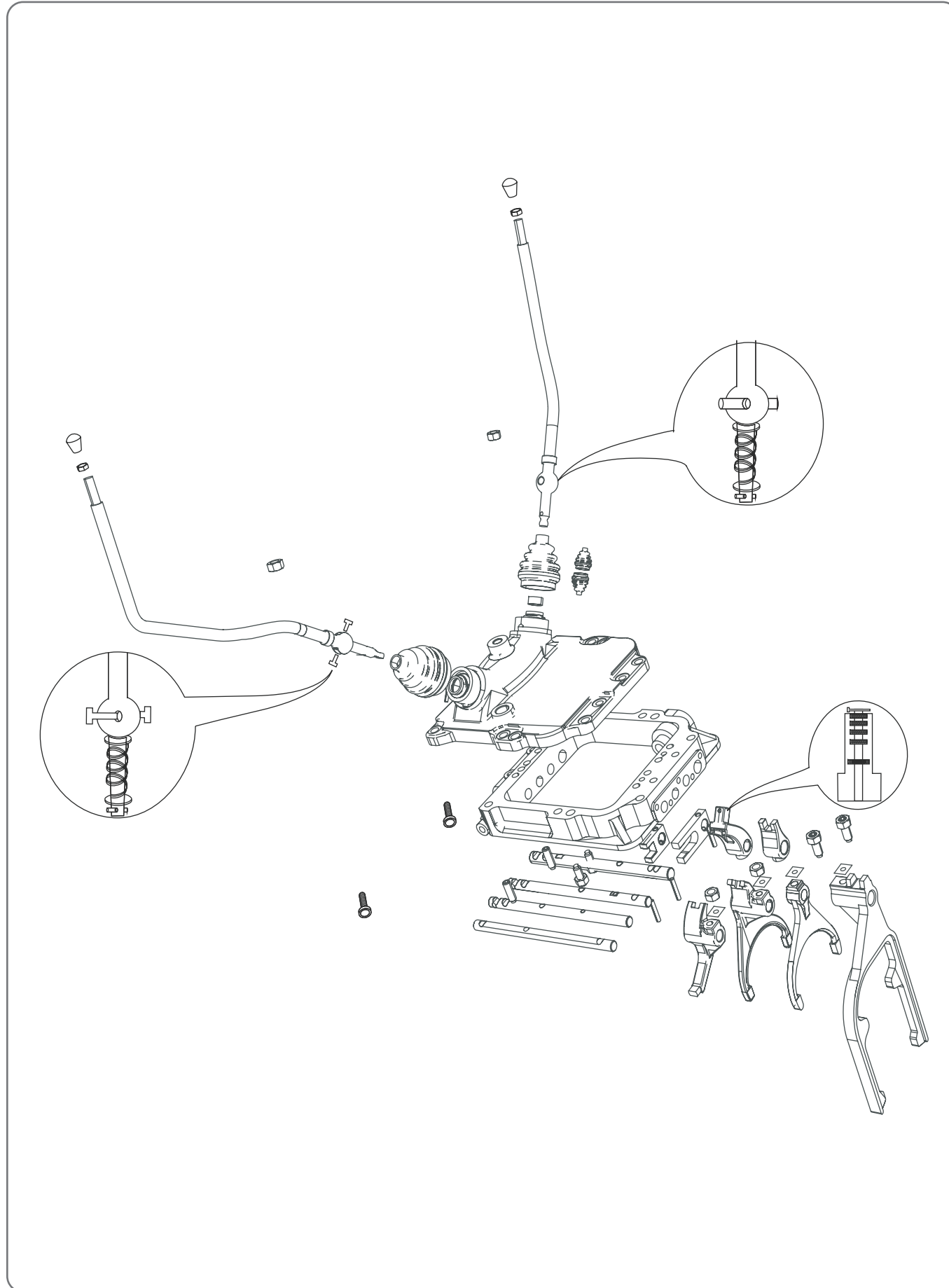
Gear Shifter Mechanism & Transmission Case Cover Front - Constant Mesh Trans.



Gear Shifter Mechanism & Transmission Case Cover Front - Constant Mesh Trans.

M&M Part Number	Ref.	Description of Part	Unit Quantity	Remarks / Service Bulletin No.
			per tractor 595	
006505017C1	1	FORK 1st - 2nd Gear Shifter	1	
006505018C1	2	FORK Reverse Bull Horn	1	
000016534P04	3	PLATE Lock	6	
006508928B1	4	SECTION Shifter 3rd & 4th	1	
006505020C1	5	SECTION Shifter Hi - Low	1	
006505021C2	6	RAIL 1st - 2nd	1	
006505022C2	7	RAIL 3rd - 4th	1	
006505024C2	8	RAIL Reverse	1	
006505288C1	9	HOUSING Lever	1	
006505281C1	10	SPRING Centralising Gear Shifter Lever	2	
006505289C1	11	RETAINER Spring	2	
006505293C1	12	PIN Pivot Pin Hi Low Lever	1	
006506321B1	13	RETAINER Rail 3rd - 4th	1	
006506320B1	14	RETAINER Rail 1st & 2nd	1	
006505287C91	15	LEVER Gear Shifter Main	1	
006505025C2	16	LEVER Hi - Low	1	
006505291C1	17	PIN Pivot Lever Housing Bull Horn	1	
006506472B1	18	SPRING Pin Centralising	1	
006505398C2	19	PIN Centralization	1	
000032482B12	20	ROLL PIN Inner	2	
006506691B1	21	RETAINER Spring Inner	2	
006500324C1	22	PIN ROLL	2	
000017047R1	23	SPRING PIN	1	
006507144B1	24	RUBBER BOOT Outer	2	
006506660B2	25	RUBBER BOOT Inner	2	
006505292C2	26	BELLOW Sifter Lever	2	
000032057B12	27	KNOB Gear Shifter Lever	1	
000032138B12	28	KNOB High-Low Shifter	1	
000031127B12	29	HOUSING Rail	1	
000032990B12	31	FORK High-Low	1	
000032939B12	32	FORK 1st & 2nd / 3rd & 4th	1	
006505023C1	33	RAIL Hi - Low	1	

**Gear Shifter Mechanism & Transmission Case Cover Front
- Constant Mesh Trans.**

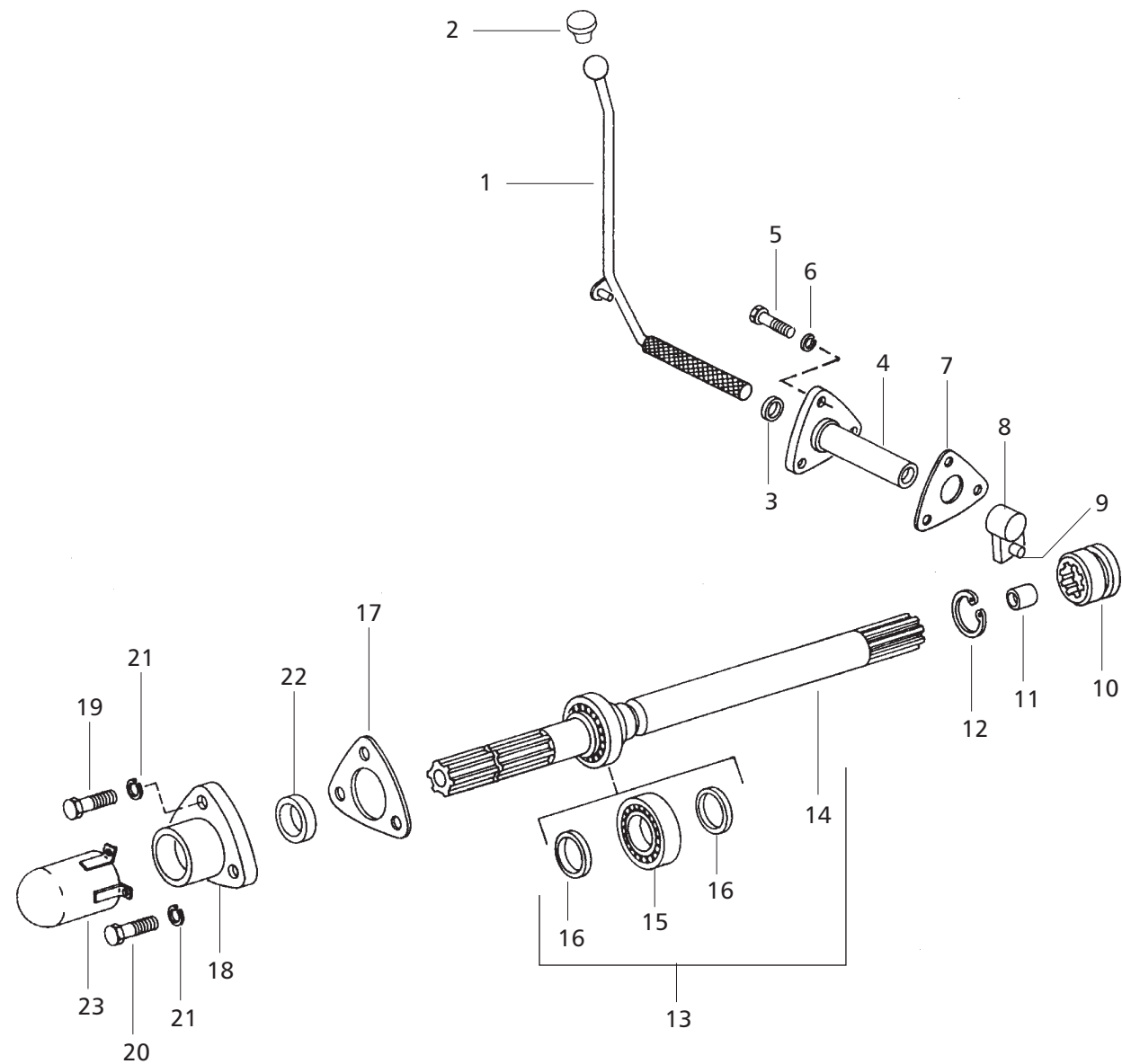


**Gear Shifter Mechanism & Transmission Case Cover Front
- Constant Mesh Trans.**

M&M Part Number	Ref.	Description of Part	Unit Quantity	Remarks / Service Bulletin No.
			per tractor	
			595	
006500219C1	*	KNOB P.T.O. Shifter Threaded	1	
007700040C92	*	SWITCH Neutral Safety	1	
006502873C2	*	GASKET Lever Housing	1	
006504727C2	*	GASKET Rail Housing	1	
000030902B11	*	PIN Interlock	1	
006507334B1	*	BREATHER	1	

* Parts Not Illustrated

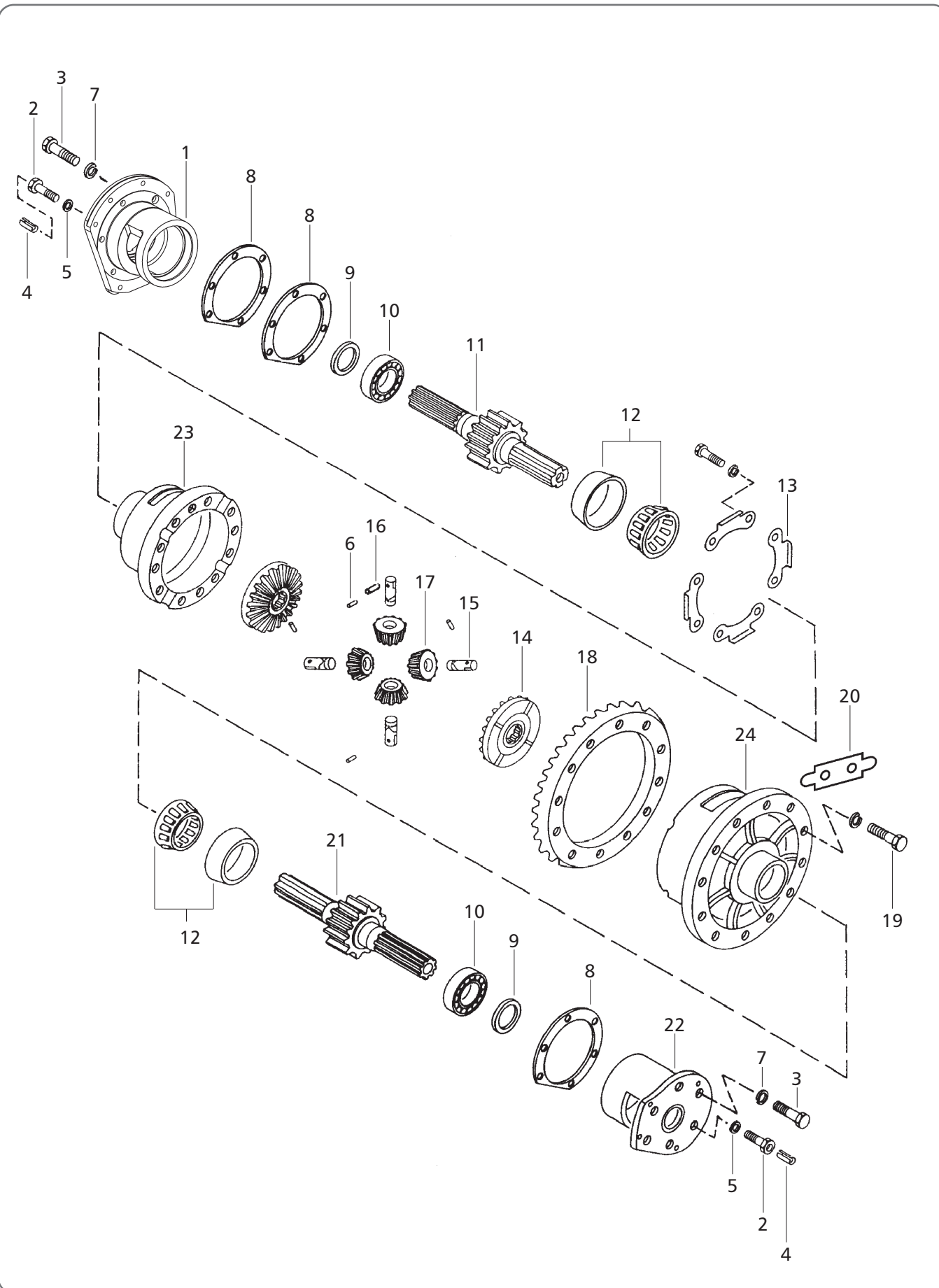
Rear P.T.O. Shaft & Operating Lever



Rear P.T.O. Shaft & Operating Lever

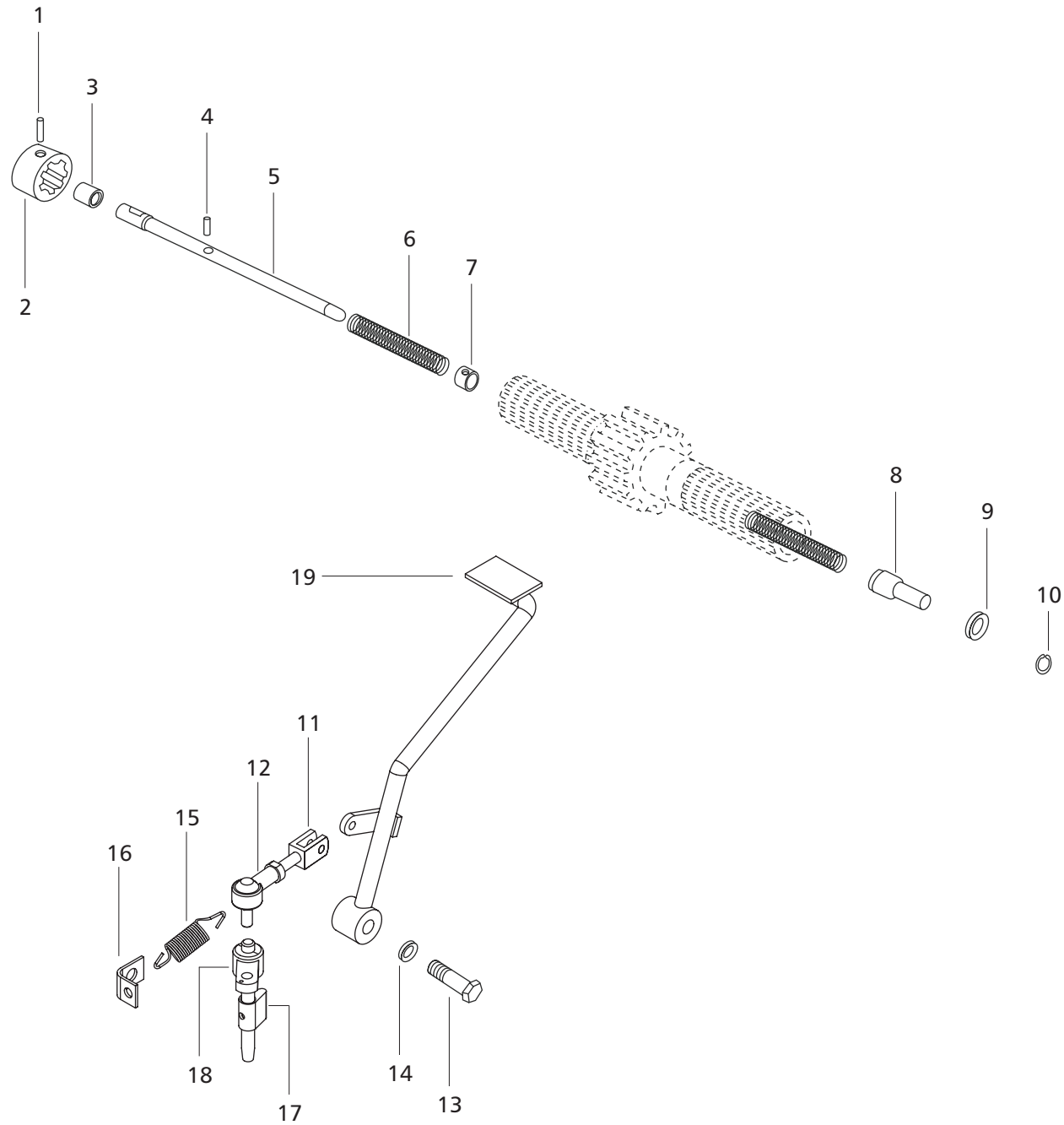
M&M Part Number	Ref.	Description of Part	Unit Quantity	Remarks / Service Bulletin No.
			per tractor 595	
006508960B91	1	LEVER P.T.O. Shifter Cpte. OIB	1	
006500219C1	2	KNOB P.T.O. Shifter Threaded	1	
001127792R92	3	OILSEAL PTO Shifter brkt SUPER	1	
000704392R4	4	BRACKET PTO Shifter - Standard / CRPTO	1	
000179838	5	BOLT Strainer Box Mounting	3	
001082012R2	6	WASHER Spring Lock	3	
001233558R2	7	GASKET P.T.O. Shifter Shaft Hole Cover	1	
000751115R92	8	SHIFTER P.T.O. Shaft	1	
000142508	9	PIN Groove	1	
006503135C1	10	COUPLING PTO For RCRPTO	1	
000704385R1	12	SEEGER RING (Circlip)	1	
000032542B12	13	SHAFT P.T.O. Rear Cpte.	1	
006503127C1	14	▶ SHAFT P.T.O.	1	
001081964R91	15	▶ BEARING P.T.O. Shaft without groove	1	
003073112R2	16	▶ COLLAR	2	
005555962R1	*	▶ CIRCLIP Internal 72 mm (Reg. P.T.O.)	1	
001233551R2	17	GASKET Trans Case - P.T.O. Oil Seal Retainer	1	
000031230B12	18	RETAINER P.T.O. Oilseal Cpte.	1	
000179819	19	BOLT	2	
005556185R1	20	BOLT P.T.O. With Hole	1	
000751472R1	21	WASHER Special	3	
005558067R91	22	OIL SEAL	1	
006502547C11	23	CAP Safety PTO	1	

* Parts Not Illustrated



M&M Part Number	Ref.	Description of Part	Unit Quantity	Remarks / Service Bulletin No.
			per tractor	
			595	
00000000AH	1	BULL CAGE LH - OIB	1	
006502597R1	2	BOLT Bull Pinion Brg. Cage - Pre coated	10	
006502598R1	3	BOLT - Bull Cage - Roll Pin - Pre coated	2	
003071404R1	4	PIN ROLL	1	
003071406R1	5	WASHER Roll Pin Bolt	2	
000032482B12	6	ROLL PIN Inner	4	
001082185R2	7	WASHER Bull Pinion Bearing	10	
006500263R1	8	SHIM Bull Pinion Brg. Cage	AR	
006500262R1	8	SHIM Bull Pinion Brg. Cage	AR	
006500261R1	8	SHIM Bull Pinion Brg. Cage	AR	
005558357R91	9	SEAL Oil	2	
005554053R91	10	BEARING Cyl. Roller (NJ309)	2	
006503269B1	11	SHAFT Bull Pinion & Brake LH (12 Teeth)	1	
005557178R91	12	BEARING Taper Roller Differential	2	
000032510B12	13	LOCK PLATE Diff Case	4	
006505504B1	14	GEAR Bevel Differential - Wet Land	2	
006505486C1	15	SHAFT Differential	4	
000017244R1	16	PIN ROLL	1	
006505503B1	17	PINION Differential - Wet Land/OIB	4	
003042127R2	19	BOLT Retaining Drive Bevel Gear	12	
000031241B12	20	PLATE Lock Bevel Gear Retaining Bolt	6	
006503268B1	21	SHAFT Bull Pinion (12 Teeth)	1	
006506454B3	22	CAGE Bearing Bull Pinion Shaft RH Cpte OIB	1	
006500279C1	23	DIFFERENTIAL CASE LH	1	
006504080C1	24	DIFFERENTIAL CASE RH	1	
000179843	25	BOLT	2	
006500292C93	*	CASE Differential Cpte Comprising of	1	
006505465C91	*	SET of Two Assembly Consist of Ring Gear & Shaft Splined	1	
‡	*	▶ GEAR Bevel Drive	1	
‡	*	▶ CASE Differential LH	1	

Differential Lock

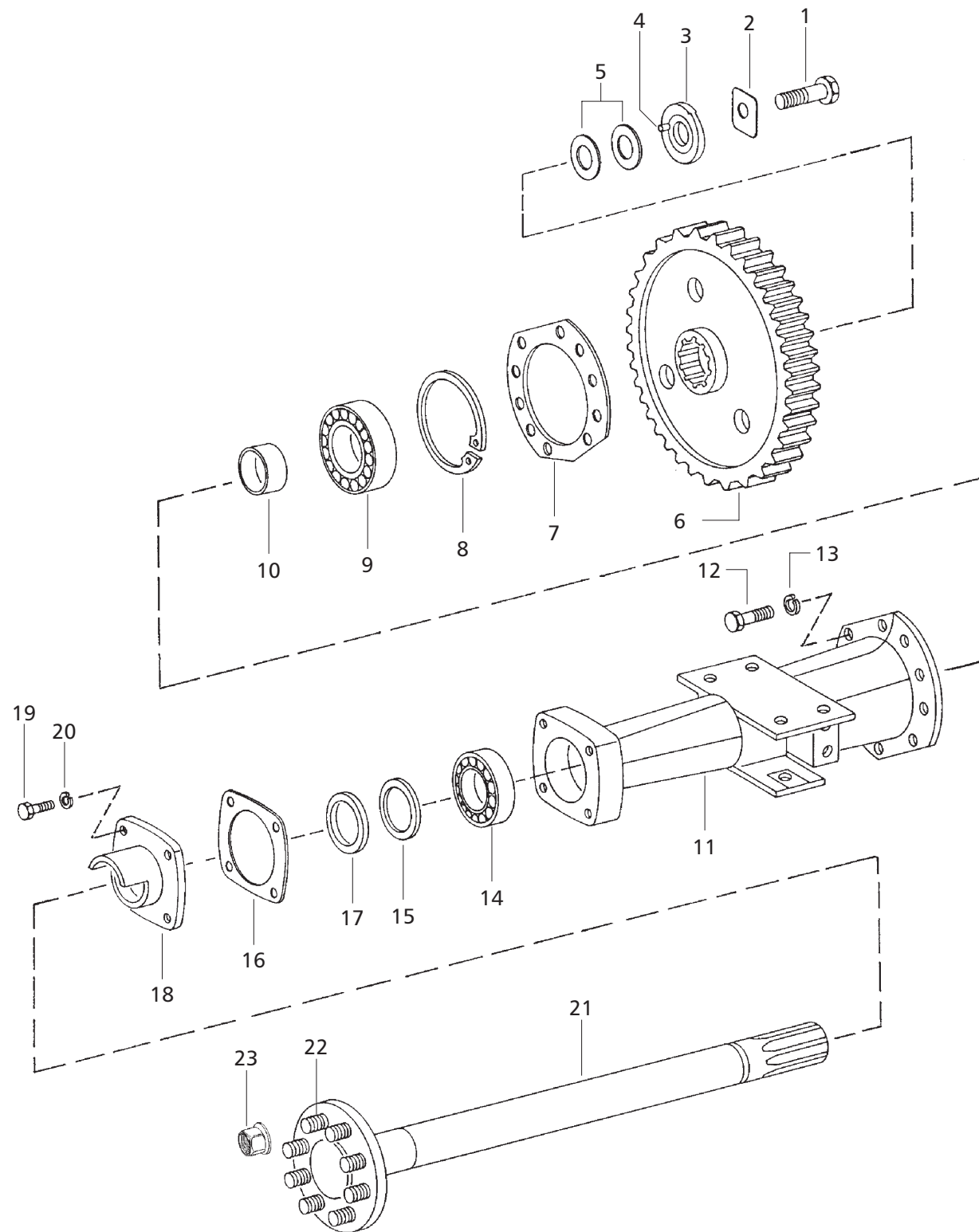


Differential Lock

M&M Part Number	Ref.	Description of Part	Unit Quantity	Remarks / Service Bulletin No.
			per tractor	
			595	
000455183R1	1	PIN Slotted Spring	1	
000704747R1	2	CLUTCH Differential Lock	1	
000704750R1	3	DISTANCE PIECE Differential Lock Shaft	1	
000141155	4	PIN Dowel	1	
006507006B1	5	SHAFT Differential Lock OIB	1	
000705233R1	6	SPRING Differential Lock	2	
000704749R1	7	COLLAR Differential Shaft	1	
006510771B1	8	RETAINER Differential Lock Shaft O-Ring (OIB)	1	
000021433R1	9	O-RING	1	
000708999R1	10	CIRCLIP External	1	
007535616C1	11	LINK DIRECTION CONTROL	1	
006500931C91	12	BALL JOINT ASSEMBLY	1	
000704757R3	13	BOLT Pivot Differential Lock	1	
000615167R1	14	WASHER Plain	2	
005553826R1	15	SPRING	1	
006511959B1	16	PLATE Anchor Diff. Lock Lever Return Spring	1	
006509385C1	17	CAM	1	
006510779B11	18	ACTUATOR Cam Rod	1	
006511839C91	19	PEDAL Differential Lock	1	
006509548C1	*	BOLT Cam Assy.	1	
000013354P04	*	CIRCLIP Ext - LUG 12 x 1	1	
000060687M01	*	WASHER Plain	1	
006509850C1	*	O-RING	1	
005554365R1	*	NUT Hex M10 x 1.5 x 8.0 x 6.6	2	
000039374D	*	PIN Rod End	1	
000103374	*	PIN Cotter G2.38125 x 25.4	1	
000060686M01	*	WASHER Plain M-8-H3	1	

* Parts Not Illustrated

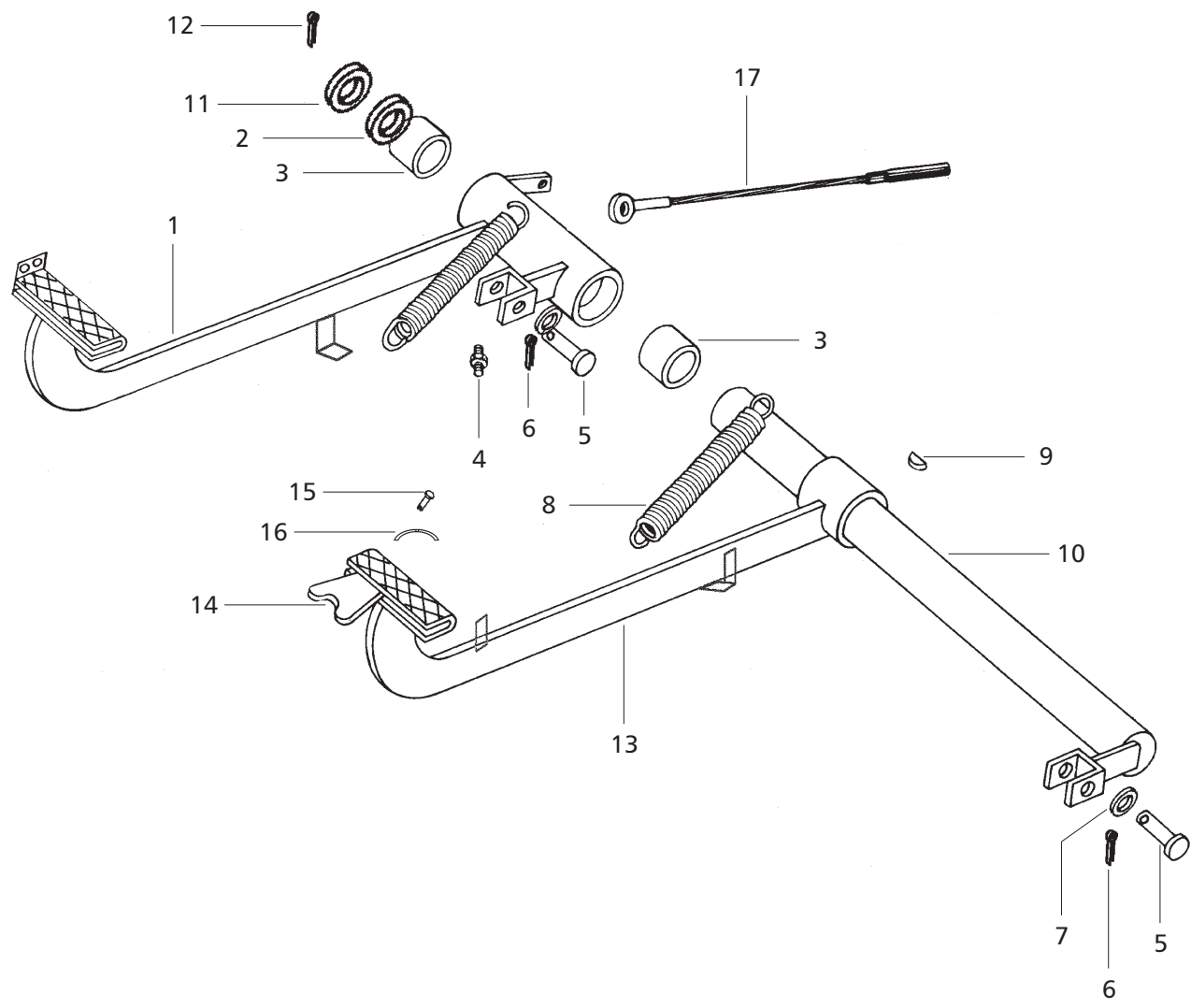
Rear Axle Carrier and Rear Axle



Rear Axle Carrier and Rear Axle

M&M Part Number	Ref.	Description of Part	Unit Quantity	Remarks / Service Bulletin No.
			per tractor	
			595	
000271631	1	BOLT	2	
005555927R1	2	LOCK PLATE Bull Gear (1 Bolt)	2	
000031267B12	3	WASHER Bull Gear Retaining	2	
000017244R1	4	PIN ROLL	2	
000032598B12	5	SHIM Bull Gear	1	
006503529B1	6	BULL GEAR - 48T	2	
001233548R1	7	GASKET Rear Axle Carrier	2	
000703911R1	8	CIRCLIP 110mm Bore Size - Wetland	2	
006501430R91	9	BEARING Ball Rear Axle Inner	2	
001082274R2	10	COLLAR Rear Axle	2	
006505726C1	11	CARRIER Rear Axle LH - Wetland & OIB	1	
006505727C1	11	CARRIER Rear Axle RH - Wetland & OIB	1	
000032145B12	12	BOLT	20	
000120384	13	WASHER Spring	20	
006502193B91	14	BEARING Ball Rear Axle Outer	2	
00031238B12	15	WASHER Felt Rear Axle (18 Splines)	2	
001233557R2	16	GASKET Rear Axle Brg. Retainer	2	
006500248R91	17	OIL SEAL Rear Axle Retainer	2	
006502591R2	18	RETAINER Rear Axle Brg. Cpte	2	
000179839	19	BOLT	8	
001082012R2	20	WASHER Spring Lock	8	
006509113C1	21	AXLE Rear Cpte. 18 Spline - for OIB	2	
006500909R1	22	BOLT Rear Wheel Hub (D Type)	16	
003047575R2	23	NUT Conical Rear Wheel Hub	16	

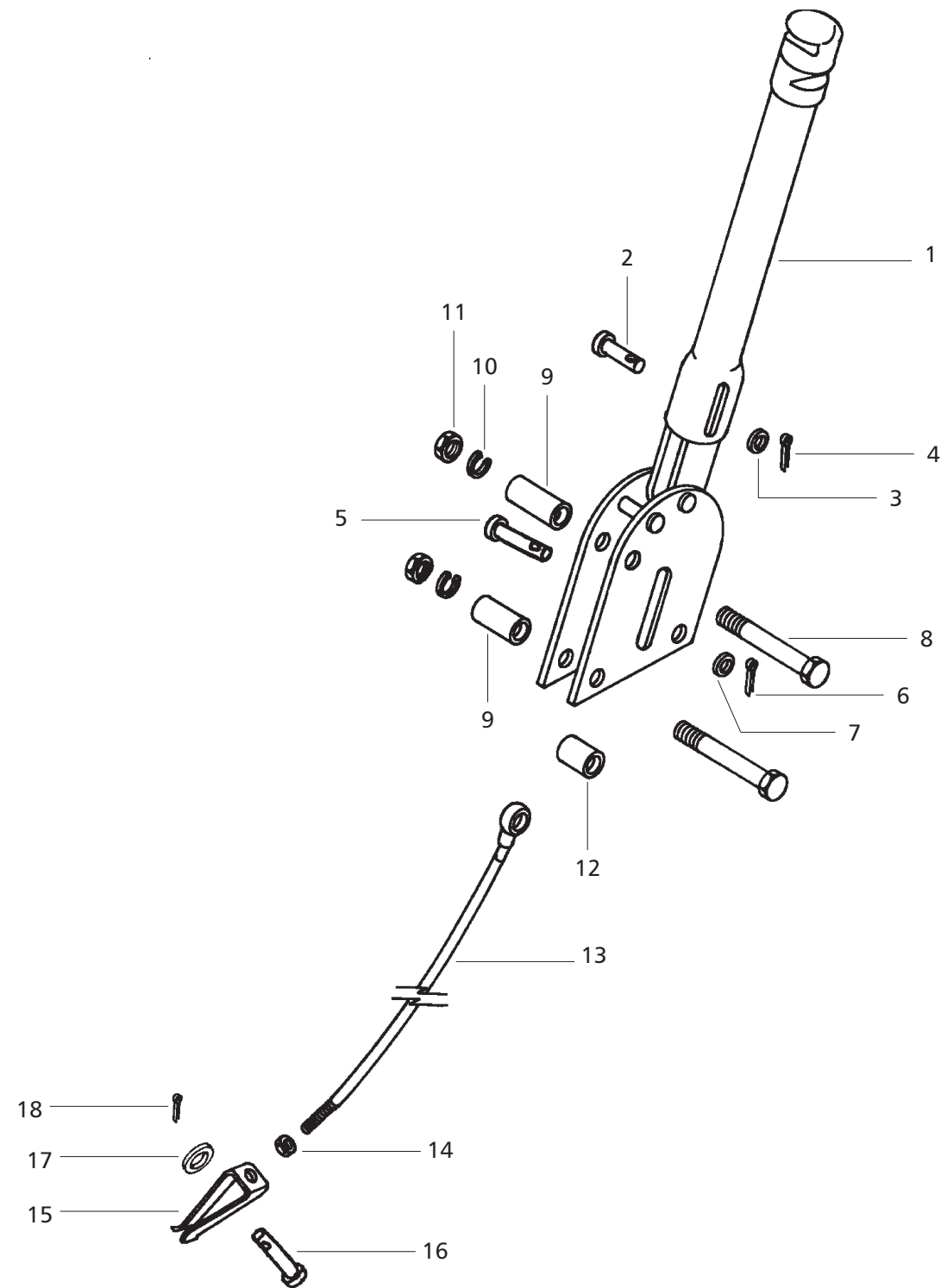
BRAKES



M&M Part Number	Ref.	Description of Part	Unit Quantity	Remarks / Service Bulletin No.
			per tractor 595	
006507345B91	1	BRAKE PEDAL RH Cpte OIB	1	
005558548R91	2	SEAL Dust Clutch Pedal	4	
001231903R1	3	BUSH Brake Pedal Cross Shaft	2	
001121585R1	4	NIPPLE Grease	1	
003064219R3	5	PIN Foot Brake Adjuster	2	
000103374	6	PIN Cotter	2	
000120396	7	WASHER Plain	2	
003064186R3	8	SPRING Brake Pedal Return	2	
000124556	9	KEY Woodruff No.18	1	
006501693C11	10	SHAFT Brake Pedal Cpte.	1	
005552116R1	11	WASHER Brake Pedal Shaft (Thick)	1	
003064192R1	11	WASHER Brake Pedal Shaft (Thin)	AR	
000103408	12	PIN Cotter	1	
006507344B91	13	BRAKE PEDAL LH OIB	1	
‡	14	▶ LATCH Plate	1	
‡	15	▶ PIN	1	
‡	16	▶ SPRING	1	
008000285B1	17	CABLE Handle Brake Connecting	1	
001127842R1	*	COLLAR Brake Pedal Shaft	1	

‡ Not Serviceable Separately
 * Parts Not Illustrated
 AR - As Required

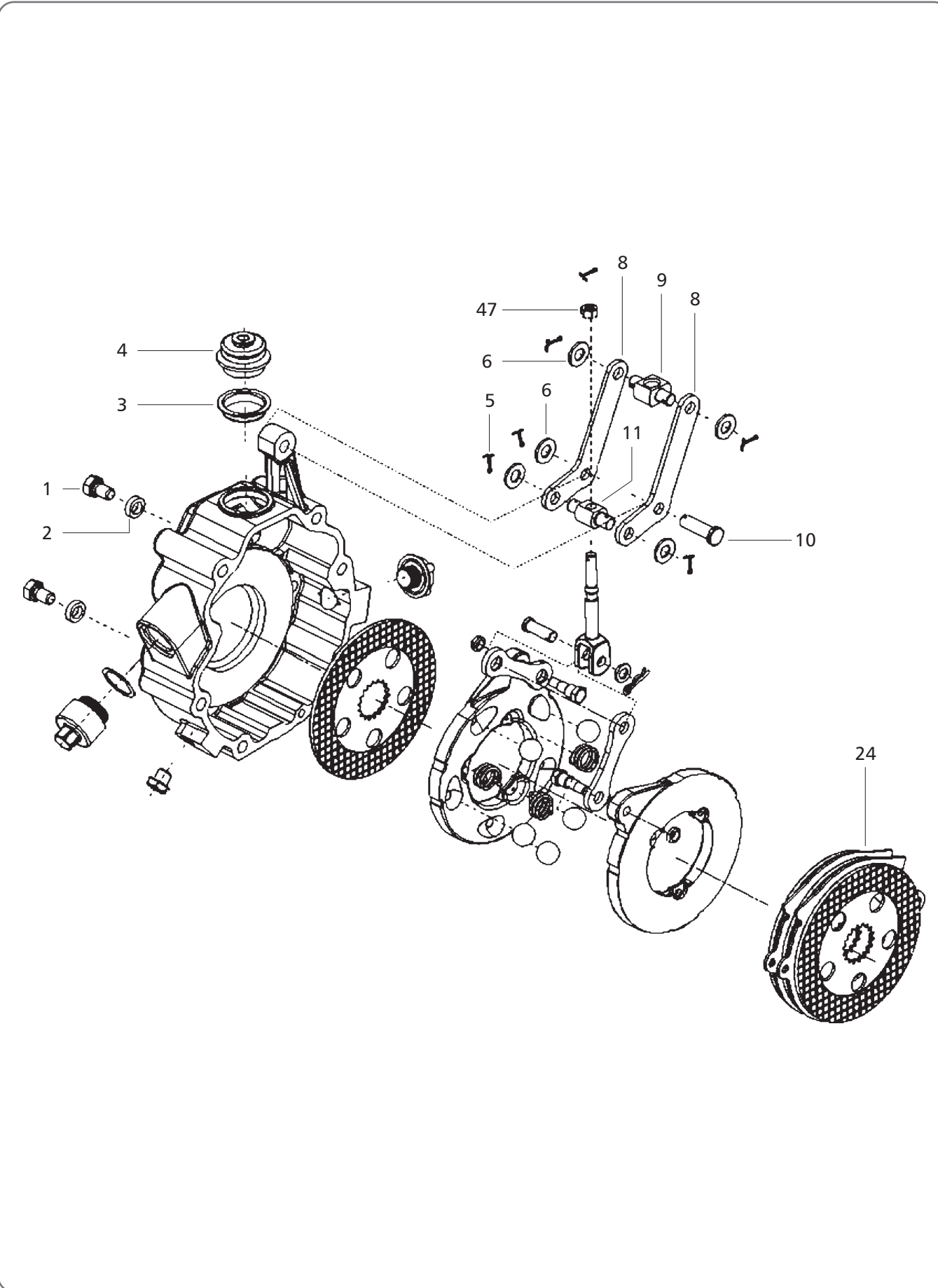
Hand Brake Linkages



Hand Brake Linkages

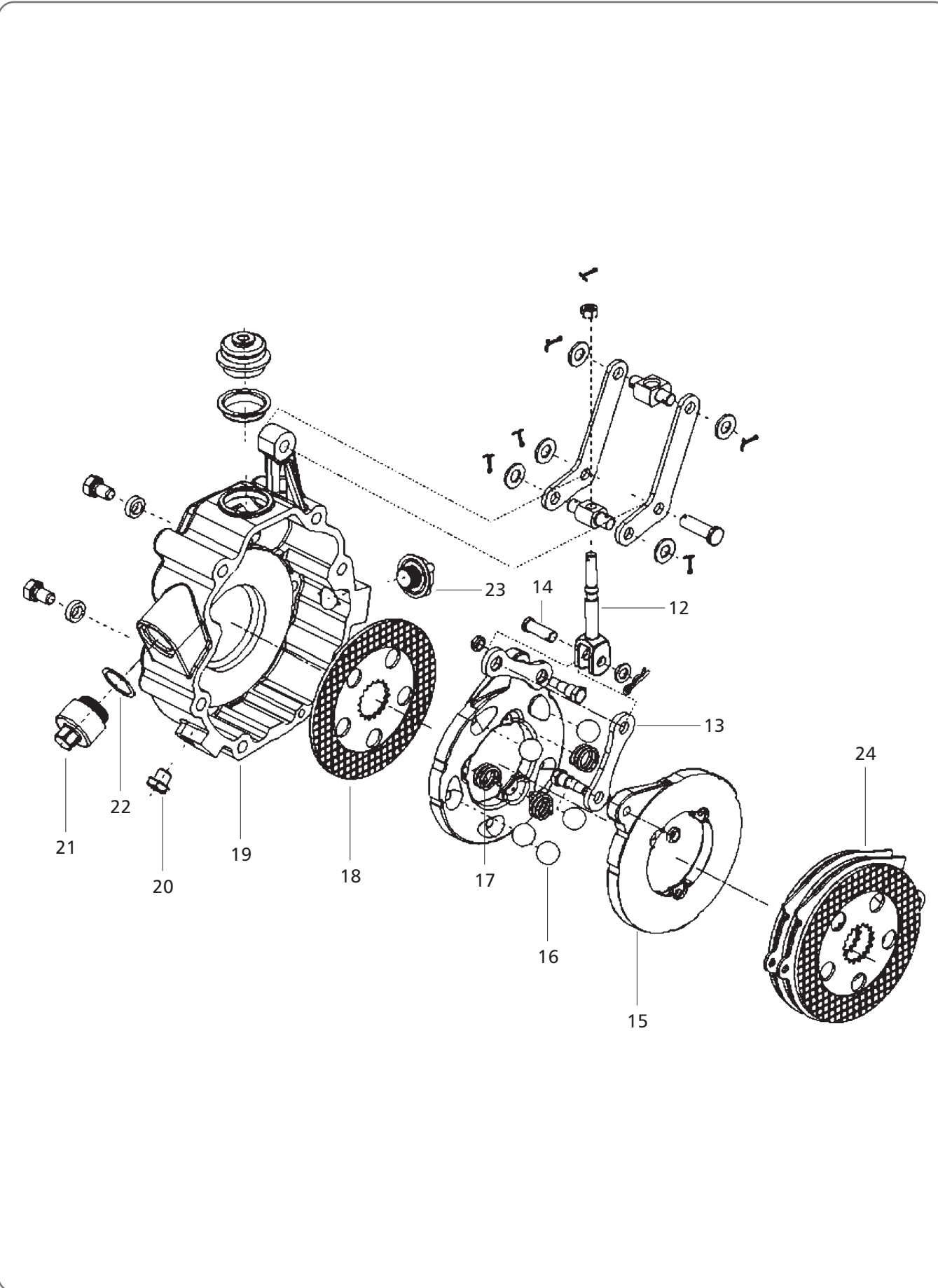
M&M Part Number	Ref.	Description of Part	Unit Quantity	Remarks / Service Bulletin No.
			per tractor 595	
008000481B91	1	HAND BRAKE Assembly Cpte - OIB / WETLAND	1	
0003111364R1	2	PIN Short	1	
0003045971R1	3	WASHER	1	
0003045972R1	4	CLIP Spring	1	
0003045975R1	6	PIN Split Cotter	1	
0003045974R1	7	WASHER	1	
000186284	8	BOLT Hydraulic Hsg Mtg	3	
001232553R3	9	SPACER Hand Brake Mounting (Small)	2	
001082012R2	10	WASHER Spring Lock	3	
000102635	11	NUT	3	
003045976R2	12	SPACER Internal Hand Brake Assy.	3	
008000285B1	13	CABLE Hand Operating	1	
000114493	14	NUT Jam	2	
001231586R1	15	CLEVIS Hand Brake Cable	2	
000039374D	16	PIN	1	
000120393	17	WASHER Plain	1	
000103374	18	PIN Cotter	1	
000103373	*	PIN Cotter	1	

* Parts Not Illustrated



M&M Part Number	Ref.	Description of Part	Unit Quantity	Remarks / Service Bulletin No.
			per tractor	
			595	
006503432C1	1	BOLT Hex Headed	12	
000123096	2	WASHER Plain	12	
‡	3	RING Steel	2	
006507738B91	*	BRAKE Assy. Improved OIB - LH 165 mm	1	
006512295B91	*	BRAKE Assy. Improved OIB - RH 165 mm	1	
006507781B1	4	▶ BOOT Rubber	2	
006507792B1	5	▶ PIN Split	12	
006507790B1	6	▶ WASHER Plain	10	
006507789B1	7	▶ NUT Hex Headed - Pull Rod	2	
006507784B1	8	▶ LEVER - Triangular Plate	4	
006507788B1	9	▶ BLOCK Trunion (Adjuster End)	2	
006507786B1	10	▶ PIN	2	
006507787B1	11	▶ BLOCK Trunion (Pull Rod End)	2	
006507778B1	24	▶ DISC Intermediate (Steel Plate)	4	

‡ Not Serviceable Separately
 * Parts Not Illustrated

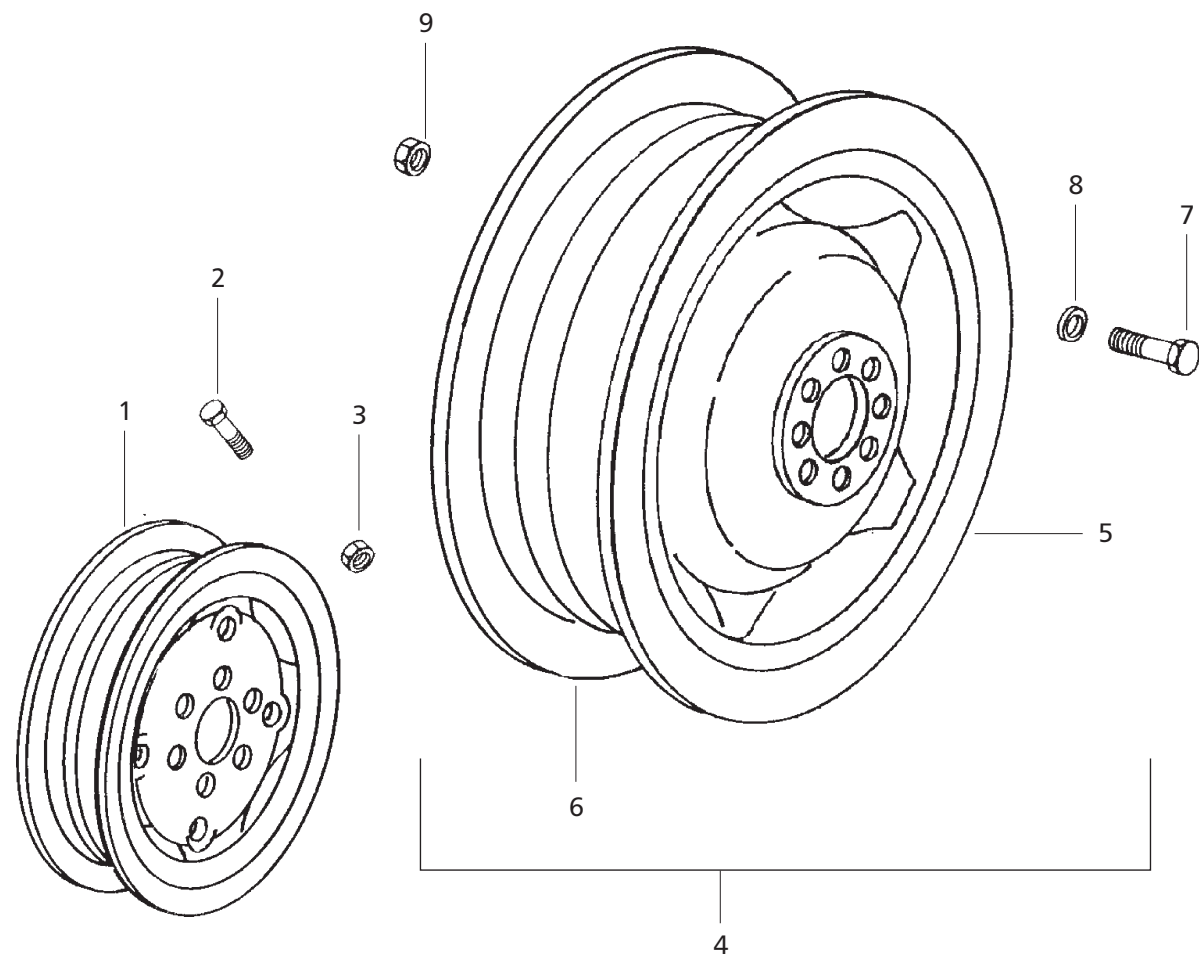


M&M Part Number	Ref.	Description of Part	Unit Quantity	Remarks / Service Bulletin No.
			per tractor	
			595	
001082011R2	*	WASHER	2	
000020259E05	*	BOLT Hex. Head	2	
006507782B1	*	BOLT M12 x 1.5	4	
006507783B1	*	WASHER Copper for M12 Bolt	4	
006507856B1	*	GASKET Brake Housing - Improved OIB	2	
006507738B91	*	BRAKE Assy. Improved OIB - LH 165 mm	1	
006506429C1	19	↳ HOUSING Brake LH	1	
006512295B91	*	BRAKE Assy. Improved OIB - RH 165 mm	1	
‡	12	↳ ROD Pull	2	
‡	13	↳ LINK Plain	4	
006507785B1	14	↳ PIN	2	
‡	15	↳ DISC Actuating	4	
‡	16	↳ BALL Steel	10	
‡	17	↳ SPRING Actuating Disc	6	
006507777B1	18	↳ FRICITION DISC	8	
006506428C1	19	↳ HOUSING Brake RH	1	
‡	20	↳ PLUG Brake Housing	2	
‡	21	↳ CAP Adjuster	2	
‡	22	↳ WASHER Adjuster Cap	2	
‡	23	↳ PLUG Brake Housing	2	
006507776B91	*	↳ ACTUATING UNIT Assy. With Pull Rod	2	
006507778B1	24	↳ DISC Intermediate (Steel Plate)	4	

‡ Not Serviceable Separately
 * Parts Not Illustrated

RIM & DISC

Wheel Rim and Disc - Front & Rear

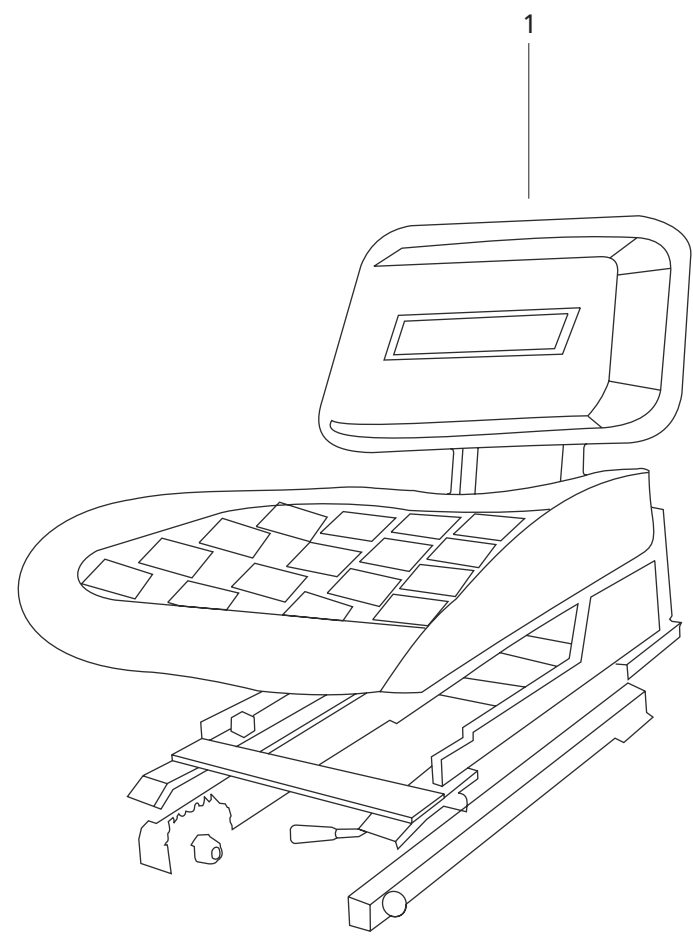


Wheel Rim and Disc - Front & Rear

M&M Part Number	Ref.	Description of Part	Unit Quantity per tractor	Remarks / Service Bulletin No.
			595	
007601441A91	1	RIM & DISC Front Wheel Complete 4.5 x 16	2	
003047573R1	2	BOLT Front Wheel Hub	12	
003047574R1	3	NUT Front Wheel Hub Bolt	12	
007601969C91	4	RIM & DISC Rear Wheel Complete	2	
007535154R91	5	▶ DISC Rear Wheel	2	
007535155R91	6	▶ RIM Rear Wheel	2	
005555008R1	7	BOLT	12	
005555006R1	8	WASHER	12	
003047575R2	9	NUT Conical Rear Wheel Hub	16	

SEAT

Sliding Seat



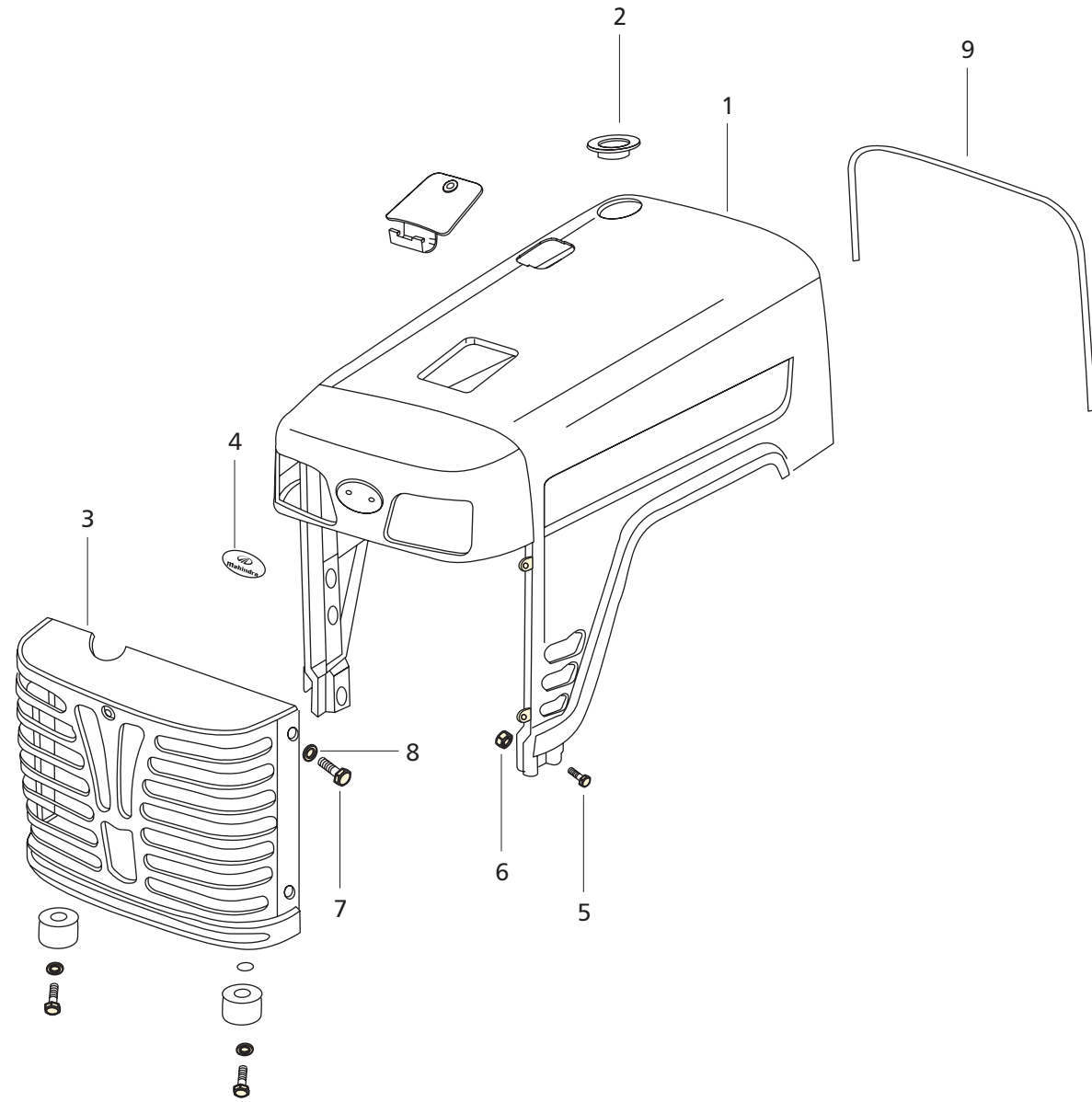
Sliding Seat

M&M Part Number	Ref.	Description of Part	Unit Quantity per tractor	Remarks / Service Bulletin No.
			595	
007607477B91	1	SLIDING SEAT	1	
007601187R1	*	STAND Bottle Holder	1	
007537215B13	*	BOTTLE HOLDER	1	

* Parts Not Illustrated

SHEET METAL

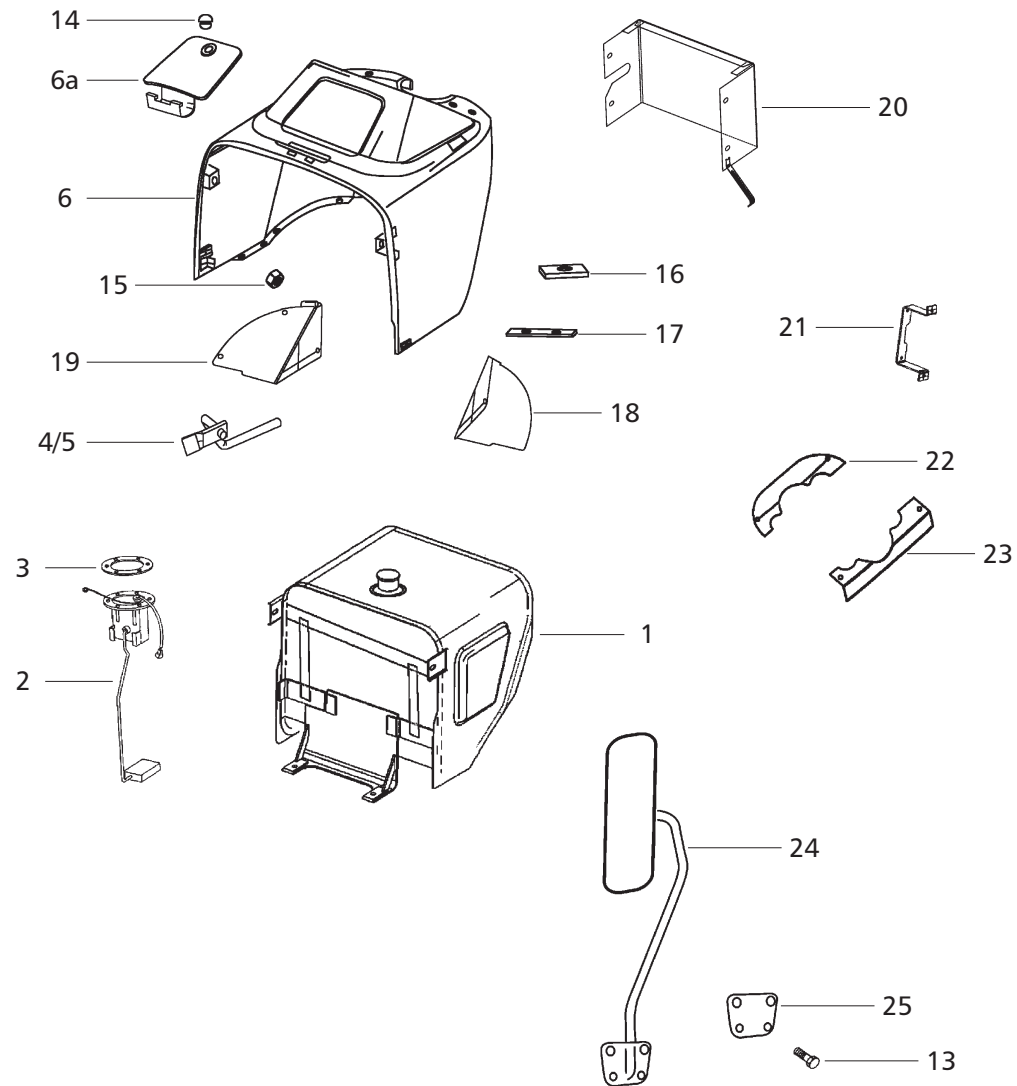
Hood & Radiator Grille



Hood & Radiator Grille

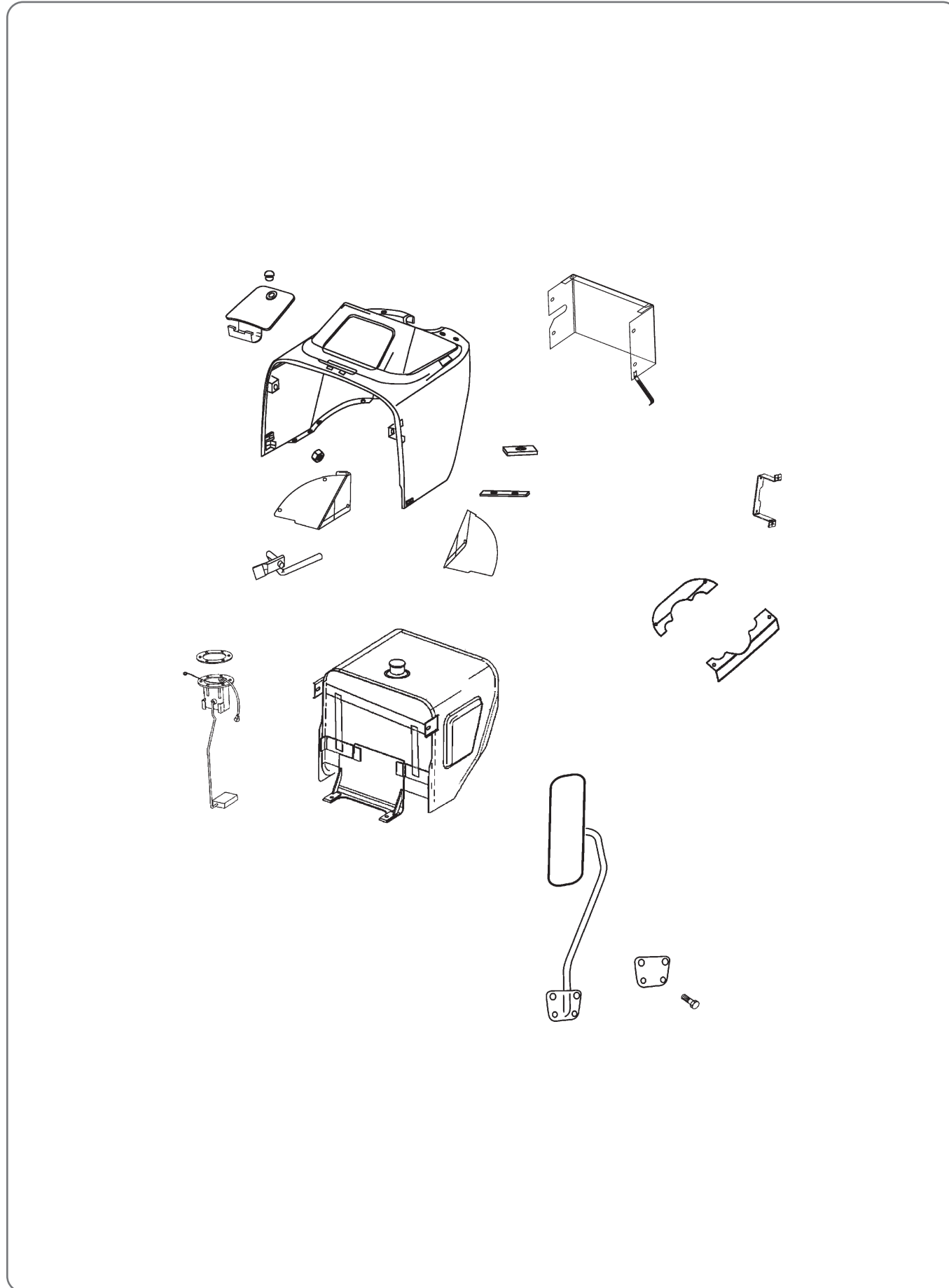
M&M Part Number	Ref.	Description of Part	Unit Quantity per tractor	Remarks / Service Bulletin No.
			595	
007500329B93	1	HOOD ASSEMBLY Cpte.	1	
007600291B1	2	CAP Sealing Precleaner & Hood	1	
008000552B2	3	GRILL Screen Mesh	1	
005558620R91	4	LOGO - New Millenium Oval (FLAT)	1	
007901267B1	5	BOLT Hood Pivot	2	
008000113B1	6	NUT	2	
008000317B2	7	SCREW	5	
008000153B1	8	WASHER	5	
007902687B1	9	RUBBER BEADING Hood	1	
001082010R2	*	WASHER	2	
000120375	*	NUT for Clamping Plate Bolt	2	
003047325R1	*	WASHER Governor Control	4	
000179800	*	BOLT	2	
000120396	*	WASHER Plain	2	
007500573A1	*	RESTPAD Hood Stopper.	2	
005557488R1	*	RUBBER BUTTON for Hood Flapper	2	

* Parts Not Illustrated



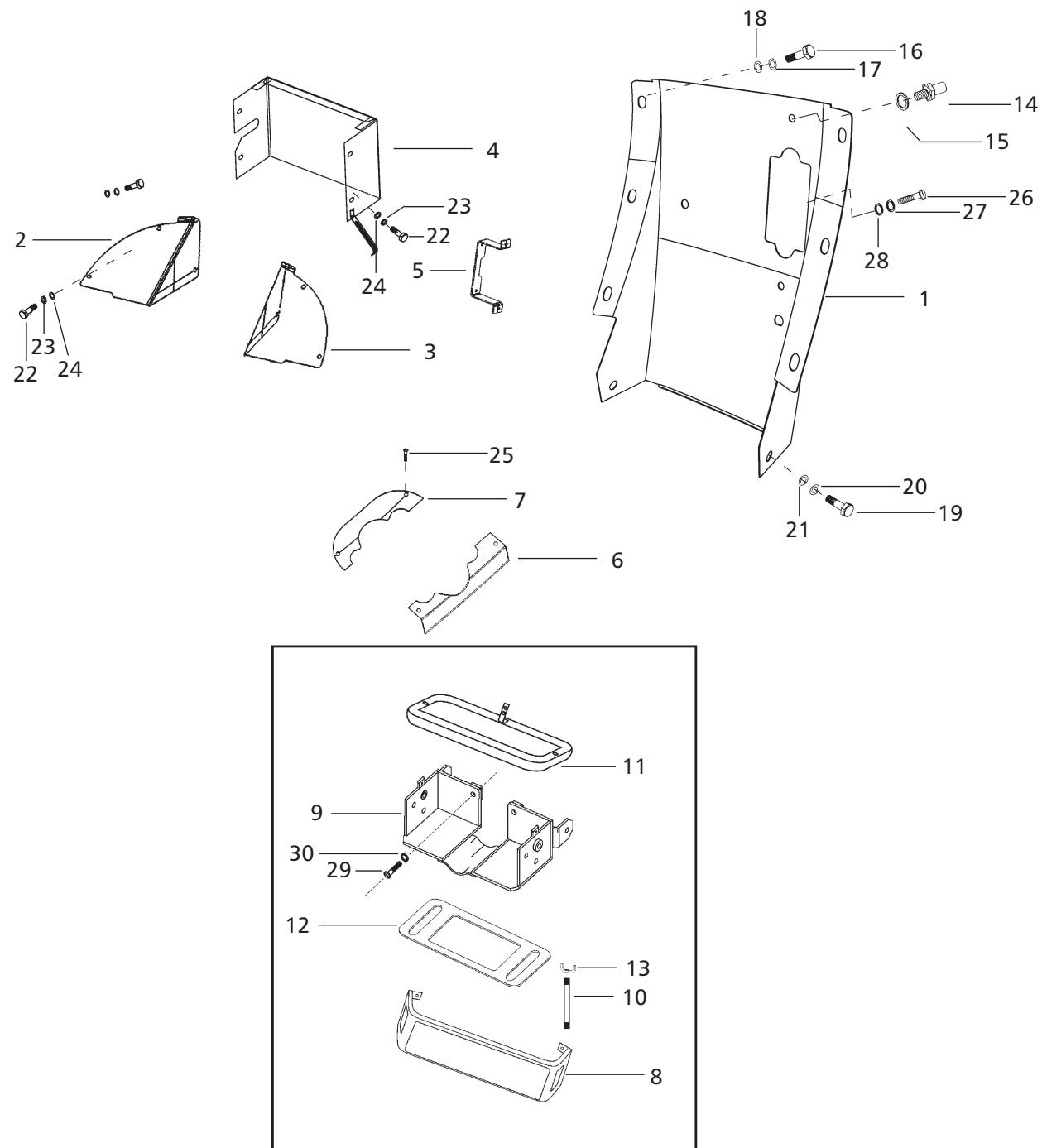
M&M Part Number	Ref.	Description of Part	Unit Quantity	Remarks / Service Bulletin No.
			per tractor 595	
007515323B93	1	FUEL TANK Cpte.	1	
008000289B93	2	UNIT Fuel Tank with Bush	1	
005554084R1	3	GASKET Fuel Lever Tank	1	
005558698R91	4	HOOD LATCH LH Cpte.	1	
005558693R91	5	HOOD LATCH RH Cpte.	1	
007903616B91	6	SCUTTLE Assembly	1	
‡	6a	FLAPPER Scuttle	1	
000013895P04	7	BOLT M10	4	
000022273RD	8	WASHER M10 Brace Mtg.	4	
000022079RD	9	WASHER Spring M10	4	
005558436R1	10	BOLT M8 x 1.25 x 20	10	
005557516R1	11	STRIP Rubber	2	
005557516R1	12	STRIP Rubber	4	
005556767R1	13	SCREW Slotted Rd.Cluster Mtg.	4	
008000198B1	14	STOPPER Rubber for Flapper (Scuttle)	1	
008000149B1	15	NUT Float (Between Scuttle & Fuel Tank)	1	
008000132B1	16	PAD Rubber Scuttle side	2	
008000109B1	17	PAD Rubber Scuttle Bottom	2	
008000069B1	18	HEAT SHIELD Scuttle Panel LH	1	
008000068B1	19	HEAT SHIELD Scuttle Panel RH	1	
008000150B1	20	COVER Scuttle Support	1	
008000228B91	21	BRACKET Fuse Mounting	1	
008000257B1	22	COVER Steering Column Front	1	
008000258B1	23	COVER Steering Column Rear	1	
008000164B91	24	MIRROR Cpte. with Bracket	1	
008000576B1	25	PAD Rubber - Mirror Mtg.	1	
007515264B92	*	FUEL TAP	1	
001082012R2	*	WASHER Spring Lock	1	
001233808R1	*	WASHER Spring Injector Pipe Clamp M6	6	
005555955R1	*	WASHER Plain	6	
001127216R1	*	SPRING Hood Latch LH	1	
001127217R1	*	SPRING Hood Latch RH	1	

‡ Not Serviceable Separately
* Parts Not Illustrated

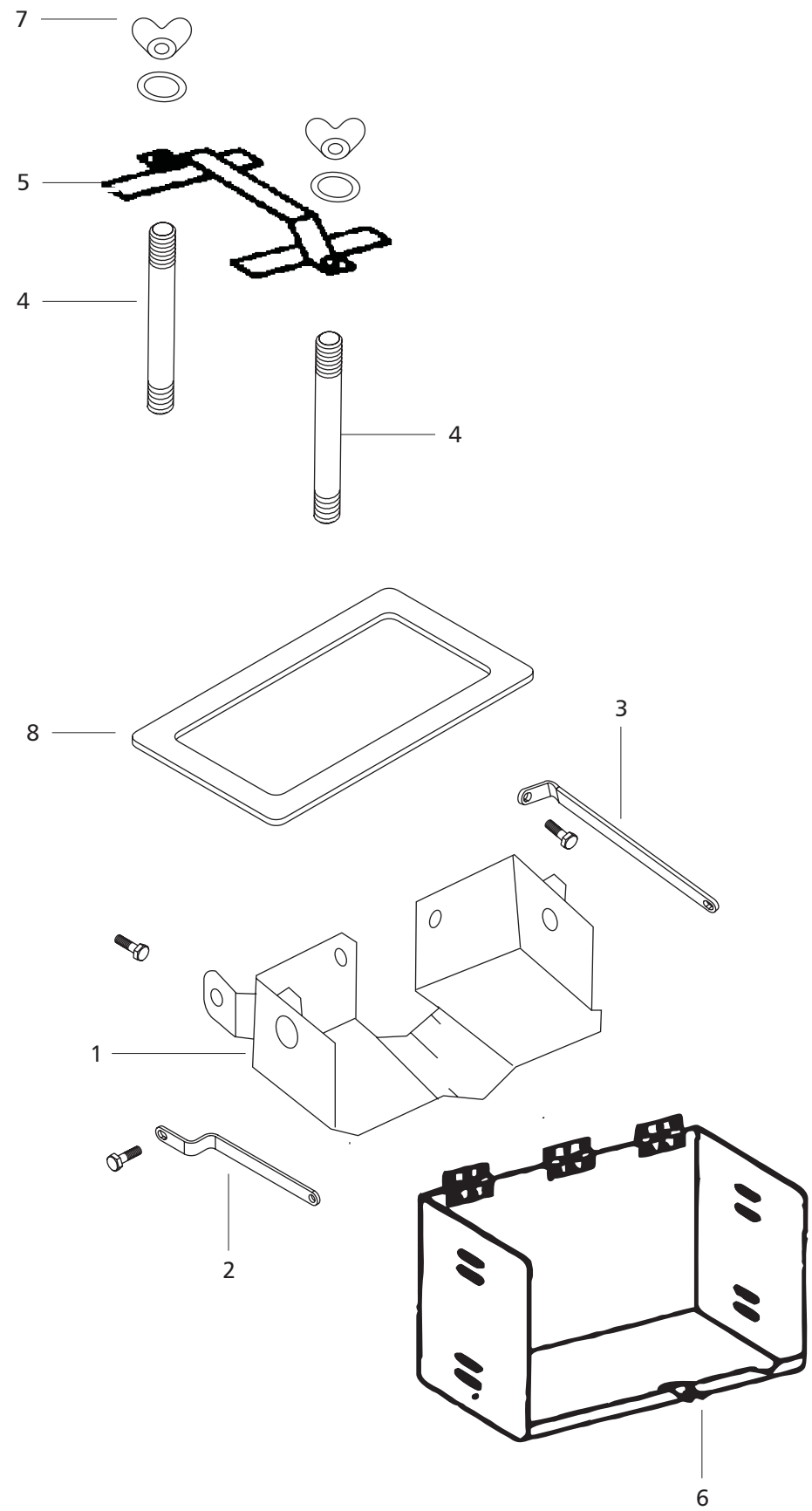


M&M Part Number	Ref.	Description of Part	Unit Quantity per tractor	Remarks / Service Bulletin No.
			595	
007606134B1	*	PLATE Fuel Tank Clamping	1	
008000326B1	*	PAD Rubber Fuel Tank Mtg.	1	
008000068B1	*	HEAT SHIELD Scuttle Panel RH	1	
008000069B1	*	HEAT SHIELD Scuttle Panel LH	1	
005557770R1	*	GROMMET Rubber (Hood Latch Pocket)	2	
007500488R2	*	RUBBER Beading Hood Flapper	1	
007515322B91	*	CAP Fuel Tank	1	
000060434M01	*	BOLT Support Plate	6	
001121466R1	*	PAD Rubber Fuel Tank	1	
001127926R1	*	BOLT Water Drain Wing	1	
005557488R1	*	BUTTON Rubber for Hood Flapper	2	
008000031B1	*	LOCKSET Cpte. with Key	1	
000704520R2	*	PAD Fuel Tank Support	8	
001121752R2	*	WASHER Rubber	1	
005557982R1	*	PAD Rubber - Tank to Scuttle Mounting	2	

* Parts Not Illustrated



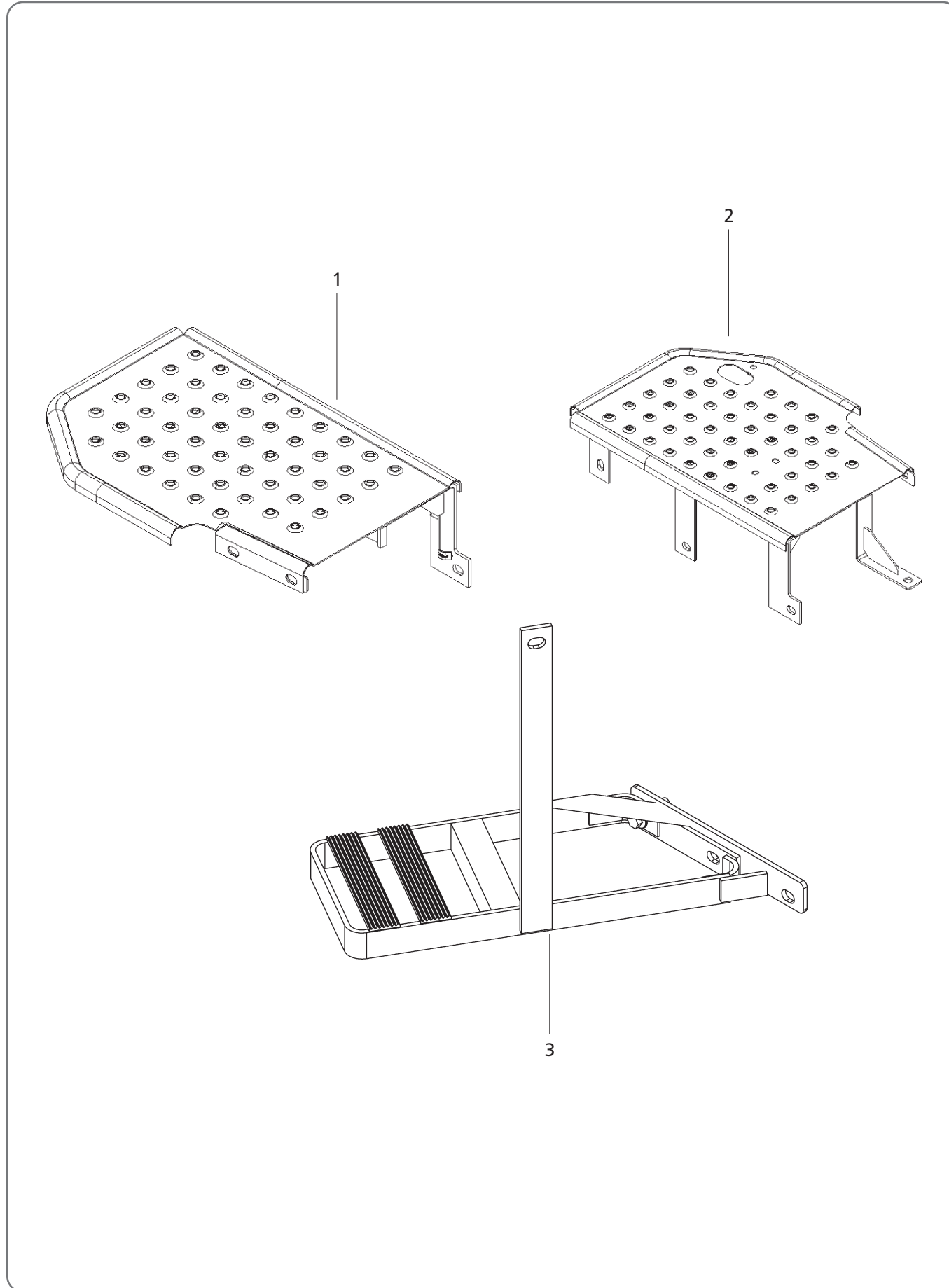
M&M Part Number	Ref.	Description of Part	Unit Quantity	Remarks / Service Bulletin No.
			per tractor	
			595	
007903617B91	1	SCUTTLE PANEL Assembly	1	
008000068B1	2	HEAT SHIELD Scuttle Panel RH	1	
008000069B1	3	HEAT SHIELD Scuttle Panel LH	1	
008000150B1	4	COVER Scuttle Support	1	
008000228B91	5	BRACKET Fuse Mounting	1	
008000257B1	6	COVER Steering Column Front	1	
008000258B1	7	COVER Steering Column Rear	1	
007537084B1	8	PLATE Battery Cover	1	
007600376B94	9	BRACKET For Battery Mounting	1	
007601574A1	10	STUD For Bracket Holding	2	
007601925B11	11	PLATE Battery Clamping	1	
005559328R91	12	PAD Rubber For Battery	1	
001231333R91	13	NUT Wing (NST)	2	
001121502R1	14	BOLT Hex. Slotted Screw	2	
005556768R1	15	WASHER Fibre	2	
005558436R1	16	BOLT M8	6	
000934309R1	17	WASHER Spring Lock	6	
000120393	18	WASHER Plain	6	
008000148B1	19	BOLT 6.35 mm x 16 mm Long	2	
001082017R2	20	WASHER Spring Lock	2	
005555955R1	21	WASHER Plain	2	
008000148B1	22	BOLT	10	
001082017R2	23	WASHER Spring Lock	10	
005555955R1	24	WASHER Plain	10	
001081901R2	25	SCREW Slotted	4	
001121502R1	26	SCREW Slotted M5 x 20	2	
000446161	27	WASHER Plain	2	
000112734	28	WASHER Rubber Grommet	2	
000271724	29	BOLT 5/8" x 2-1/4"	2	
001082015R2	30	WASHER Spring (Front & Side)	4	



M&M Part Number	Ref.	Description of Part	Unit Quantity per tractor	Remarks / Service Bulletin No.
			595	
007600376B95	1	BATTERY TRAY Assembly	1	
007537419B1	2	BRACE Battery Front	1	
005551869R1	3	BRACE Battery Rear	1	
007601574A1	4	STUD Front Battery Hold Down	2	
001127951R94	5	BATTERY RETAINER	1	
007537084B1	6	COVER Side Battery	1	
001231333R91	7	WING NUT Cpte.	1	
005559238R91	8	PAD Battery (Rubber)	1	
005559088R2	*	CABLE Battery to Earth	1	
007700411A2	*	CABLE Battery Positive	1	
007605100B91	*	KIT BATTERY BOX (88 Amp-Hr)	1	

* Parts Not Illustrated

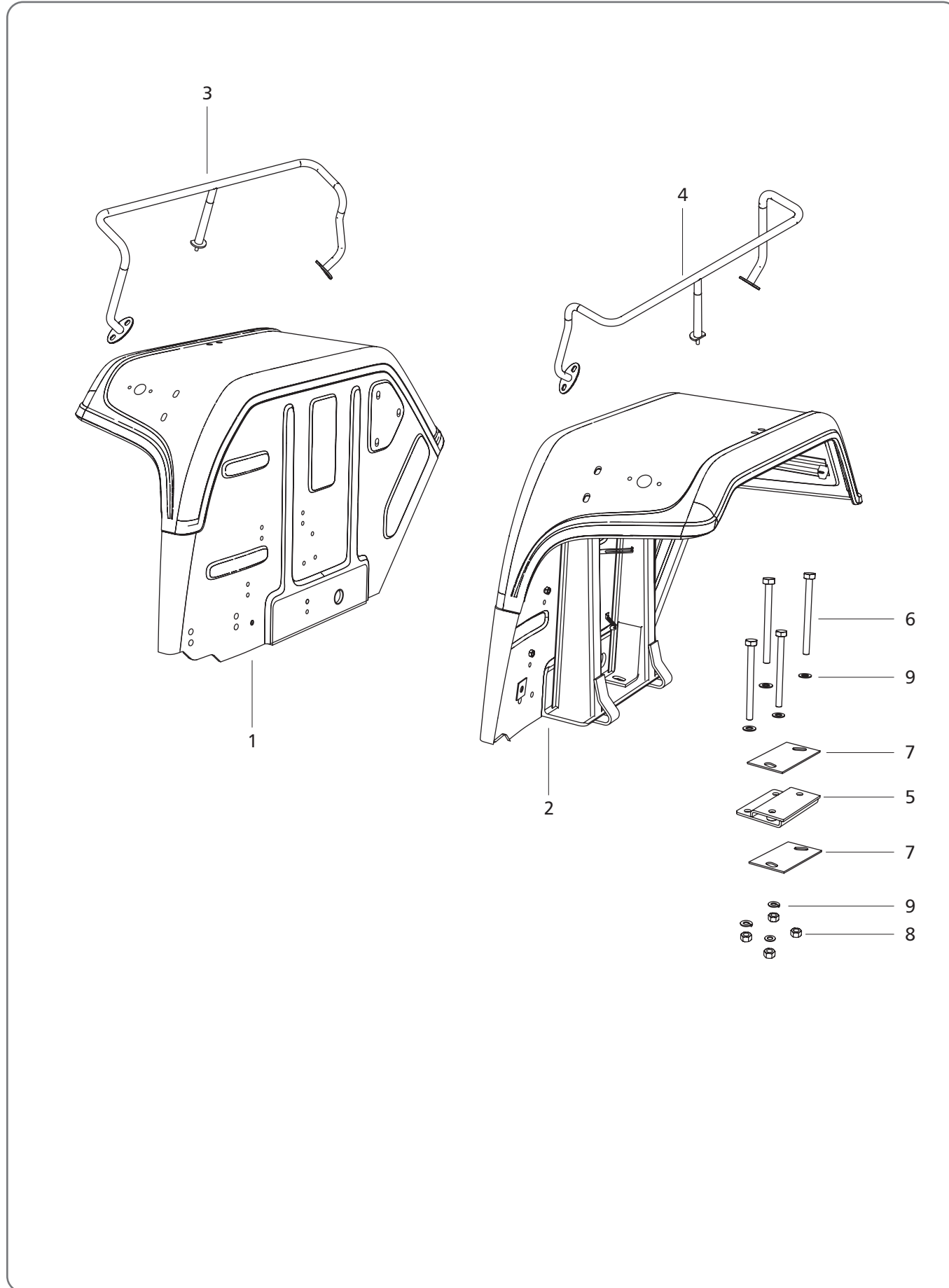
Foot Plate & Foot Step



Foot Plate & Foot Step

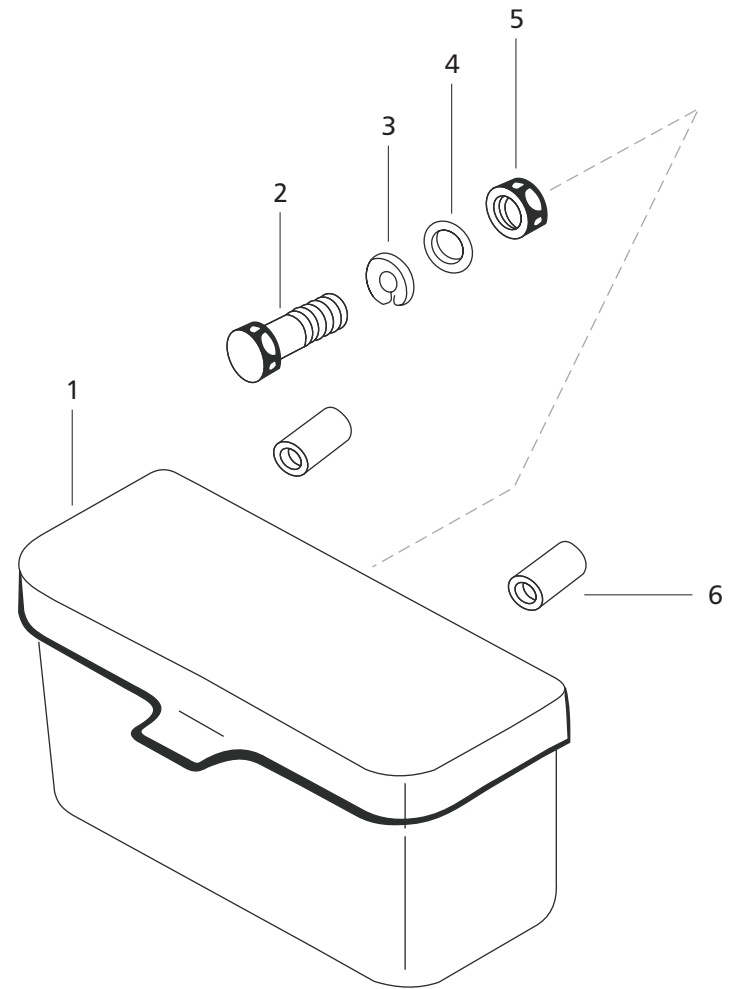
M&M Part Number	Ref.	Description of Part	Unit Quantity per tractor	Remarks / Service Bulletin No.
			595	
007537227B91	1	FOOT PLATE Cpte. LH	1	
007538745B91	2	FOOT PLATE Cpte. RH	1	
007538276B91	3	FOOT STEP Cpte.	1	
001082011R2	*	WASHER	2	
000020309E05	*	BOLT Hex Head	2	

* Parts Not Illustrated



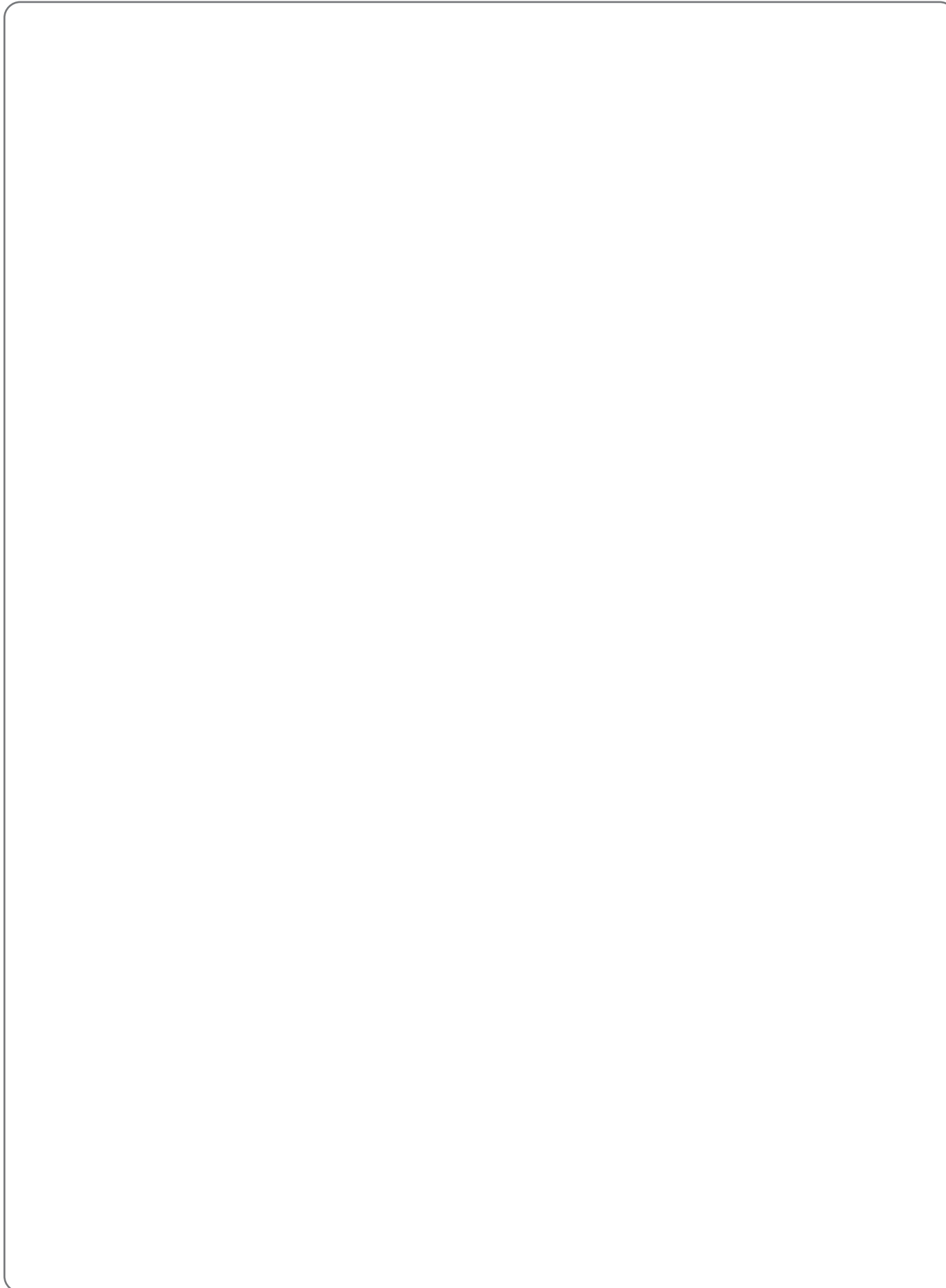
M&M Part Number	Ref.	Description of Part	Unit Quantity per tractor	Remarks / Service Bulletin No.
			595	
008000262B92	1	FENDER ASSEMBLY CPTE. RH for NST	1	
008000261B93	2	FENDER ASSEMBLY CPTE. LH for NST	1	
008000401B2	3	SEAT Fender RH	1	
008000400B2	4	SEAT Fender LH	1	
007538199B1	5	SPACER Fender Mounting	1	
001231707R1	6	BOLT Fender Mtg.	4	
007531522B1	7	FENDER LINER	2	
000102639	8	NUT	4	
001082015R2	9	WASHER Spring Lock	4	
007530539R1	*	INSULATOR Fender Mtg.	2	
008000410B1	*	PAD Rubber Fender Seat	4	

* Parts Not Illustrated



M&M Part Number	Ref.	Description of Part	Unit Quantity per tractor	Remarks / Service Bulletin No.
			595	
007535770C11	1	TOOL BOX Cpte.	1	
000179842	2	BOLT Brace Fixing	2	
000120394	3	WASHER Spring	2	
001082013R2	4	WASHER Plain	2	
000102635	5	NUT	2	
005556463R1	6	SPACER Tool Box Mtg.	2	
000179857	*	BOLT	2	
000271500	*	NUT	2	
005553856R91	*	KIT Tool Cpte. W/o Grease Gun Comprising of	1	
005550882R91	*	▶ HOLD ALL TOOL	1	
001232071R1	*	▶ OPEN End and Ring Spanner Combination	1	
001232074R1	*	▶ OPEN End and Ring Spanner Combination	1	
001232072R1	*	▶ SPANNER Open End	1	
001232073R1	*	▶ SPANNER Open End	1	
001232075R91	*	▶ PLIER Slip Joint (Ordinary)	1	
001232600R1	*	▶ SPANNER Ring 10 x 11 mm	1	
001232601R1	*	▶ SPANNER Ring 12 x 13 mm	1	
001232821R1	*	▶ SPANNER Ring 10 x 12 mm	1	
001121748R91	*	▶ SCREW DRIVER	1	

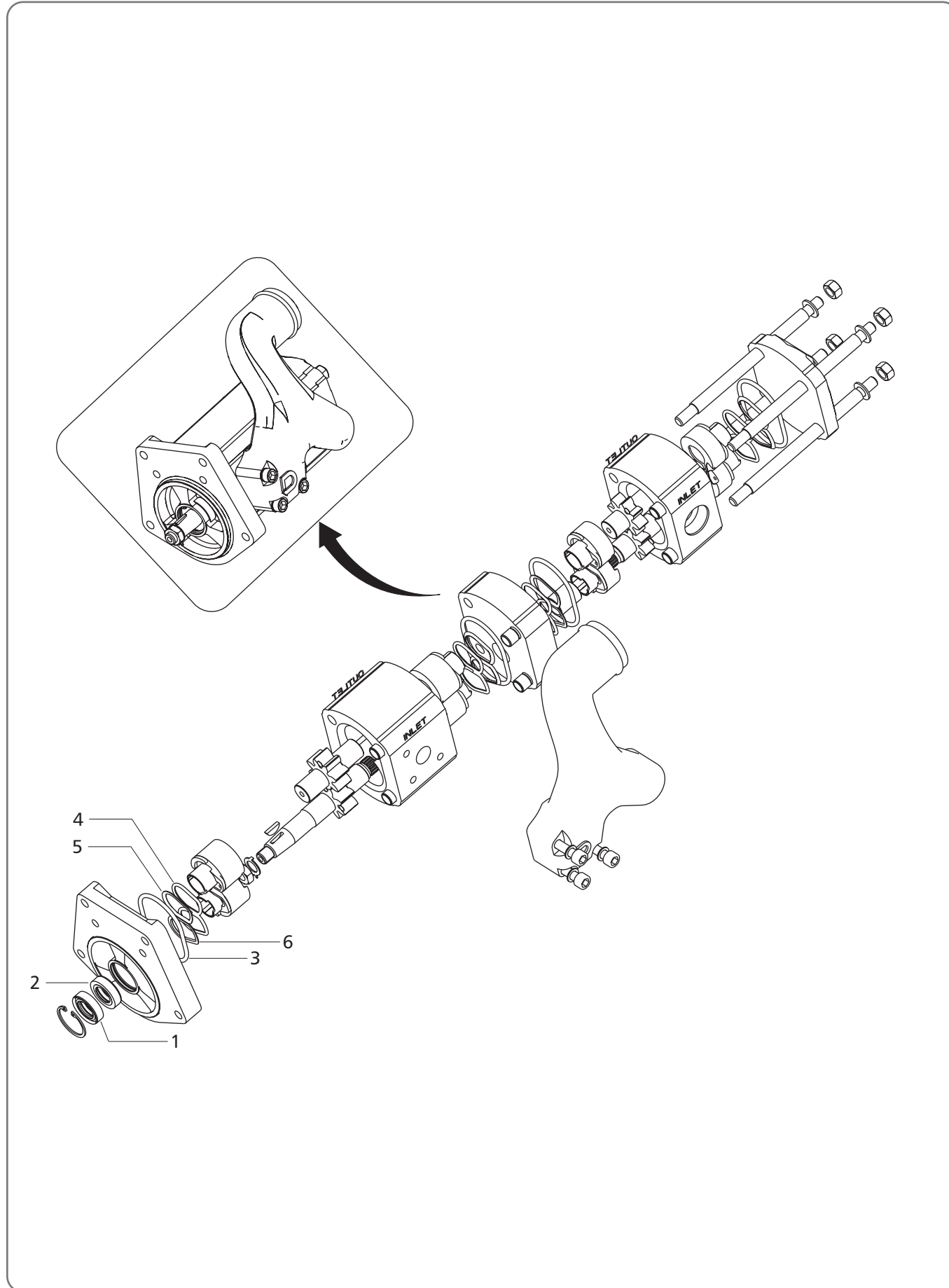
* Parts Not Illustrated



M&M Part Number	Ref.	Description of Part	Unit Quantity per tractor	Remarks / Service Bulletin No.
			595	
E007601783R91	*	COMPLETE SET OF STICKERS for SRILANKA Consists of	1	
005559423B1	1	▶ STICKER for Manual Instructions	1	
005559430B1	2	▶ STICKER for PC & DC Lever Positions	1	
005559429B1	3	▶ STICKER for Governor	1	
005559433B1	4	▶ STICKER for Pre-cleaner	1	
005559424B1	5	▶ STICKER for Safe Starting	1	
005559425B1	6	▶ STICKER for Diesel Fuel	1	
005559431B1	7	▶ STICKER for Warning Instructions	1	
005559434B1	8	▶ STICKER for PTO Lever	1	
005559426B1	9	▶ STICKER for PTO	1	
005559435B1	10	▶ STICKER for PTO Guard	1	
005559438B1	11	▶ STICKER for Clutch Pedal	1	
005559432B1	12	▶ STICKER for Fan & Belts	2	
005559427B1	13	▶ STICKER for Radiator Cap	1	
005559439B1	14	▶ STICKER for Alternator	1	
005559428B1	15	▶ STICKER for Battery	1	
008000622A1	16	▶ STICKER for Cold Start Aid	1	
008000785B1	17	▶ STICKER Safety Air Tank	1	
007600049R1	18	STICKER FINAL OK	1	
E007606066B1	19	STICKER Reservoir Guard (SRILANKA)	1	
007535656B1	20	STICKER MAHINDRA 595DI SUPER TURBO	1	
007900464B1	21	STICKER New Styling 595DI - LH	1	
007900465B1	22	STICKER New Styling 595DI - RH	1	
005558052R1	23	STICKER for Smart Hydraulics	1	
008000770B1	24	STICKER for Power Steering Oil	1	
008000774B1	25	STICKER for Turbo Charger	1	

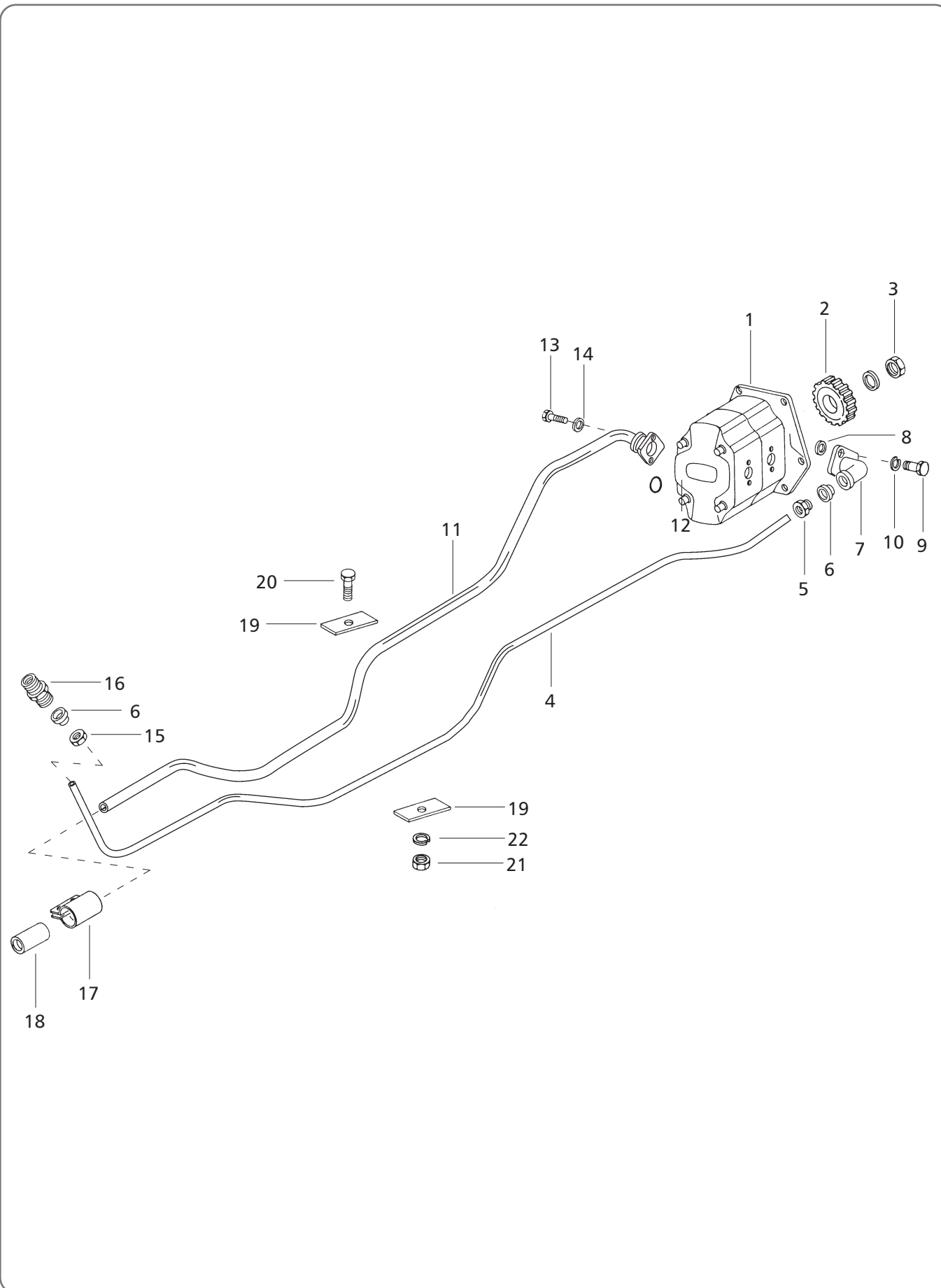
* Parts Not Illustrated

HYDRAULICS



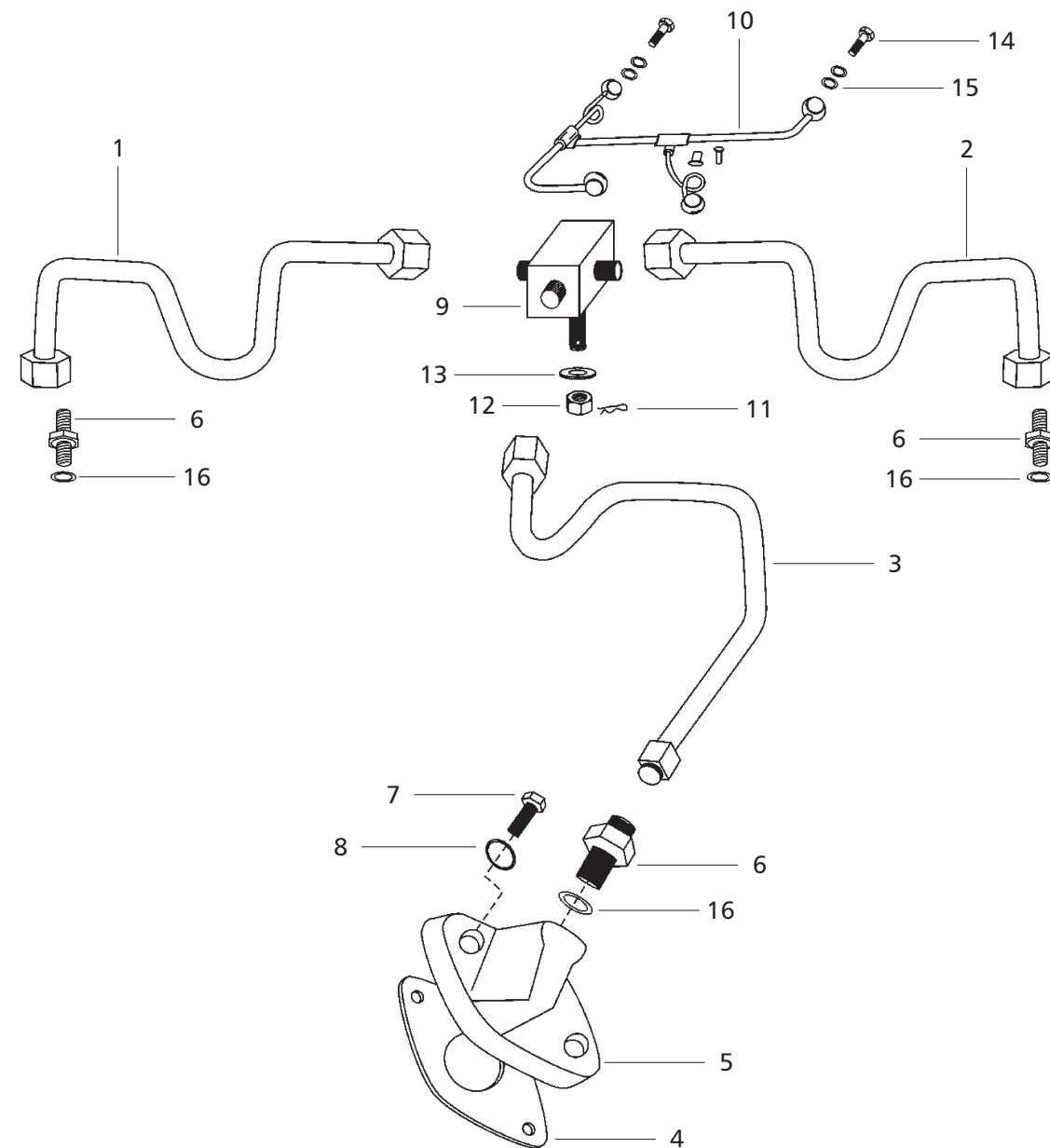
M&M Part Number	Ref.	Description of Part	Unit Quantity per tractor	Remarks / Service Bulletin No.
			595	
007206391B1	A	KIT PUMP SEAL	1	
‡	1	▶ SHAFT SEAL - Nitrile	1	
‡	2	▶ SHAFT SEAL - Viton	1	
‡	3	▶ BODY SEAL - Nitrile	4	
‡	4	▶ LOBE SEAL - Nitrile	4	
‡	5	▶ BACKING RING - LH	4	
‡	6	▶ BRACKING RING - RH	4	

Hydraulic Pipes - Suction & Pressure Pipes



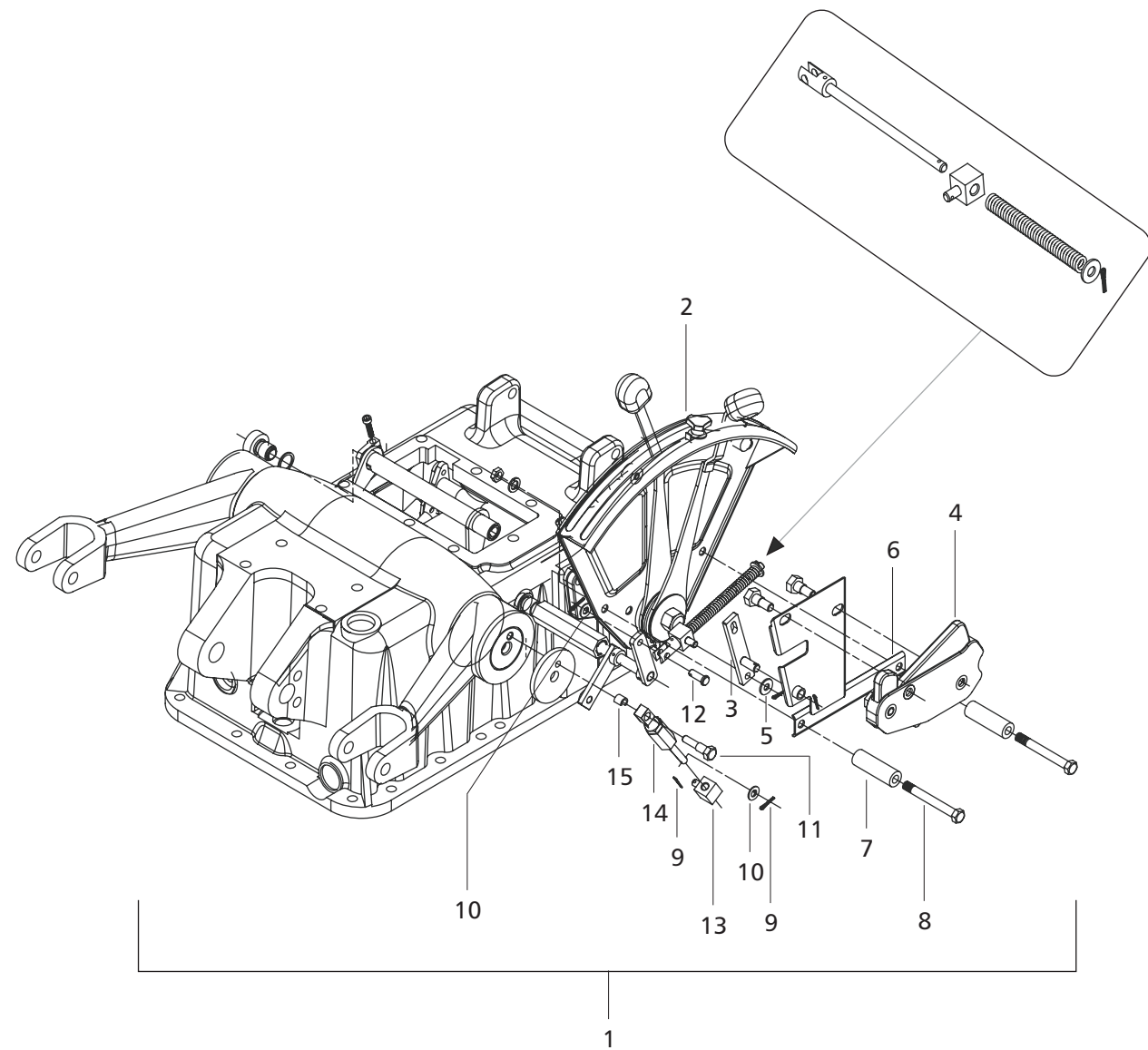
Hydraulic Pipes - Suction & Pressure Pipes

M&M Part Number	Ref.	Description of Part	Unit Quantity	Remarks / Service Bulletin No.
			per tractor 595	
007205701B91	1	PUMP Assy (Tandem Pump)	1	
007201531B1	2	PINION Hyd Pump	1	
001121113R1	3	NUT Lock	1	
007606077B91	4	PIPE Pressure	1	
001121709R3	5	COUPLING Hyd Pressure Pipe (Pump End)	1	
000705519R4	6	RING Sealing	2	
001121364R4	7	MANIFOLD Pressure Hyd Pump	1	
000377952R1	8	O' RING 9/16 x 3/4 x 3/32	1	
001082252R1	9	SCREW Allen Cap 1/4" x 3/4"	2	
000706072R1	10	WASHER Lock 1/4" x 1/4"	2	
007204837B2	11	PIPE Suction - 4 DI	1	
000364879R1	12	O'RING 7/8 x 3/32	1	
001082253R1	13	SCREW Allen Cap 5/16" x 3/4"	2	
000706053R1	14	WASHER Lock	2	
000705520R2	15	NUT Ring Sealing (Control Valve End)	1	
000704336R2	16	COUPLING Male Pressure Pipe	1	
005558383R91	17	CLIP Suction Hose	1	
000051191D02	18	HOSE Suction filter	1	
000706405R2	19	CLAMP Hyd Suction / Press Pipe	2	
008000293B1	20	BOLT 1/4 UNC x 1-1/4"	1	
000120375	21	NUT 1/4" UNC Hyd	1	
001082010R2	22	WASHER 1/4" Spring Lock	1	



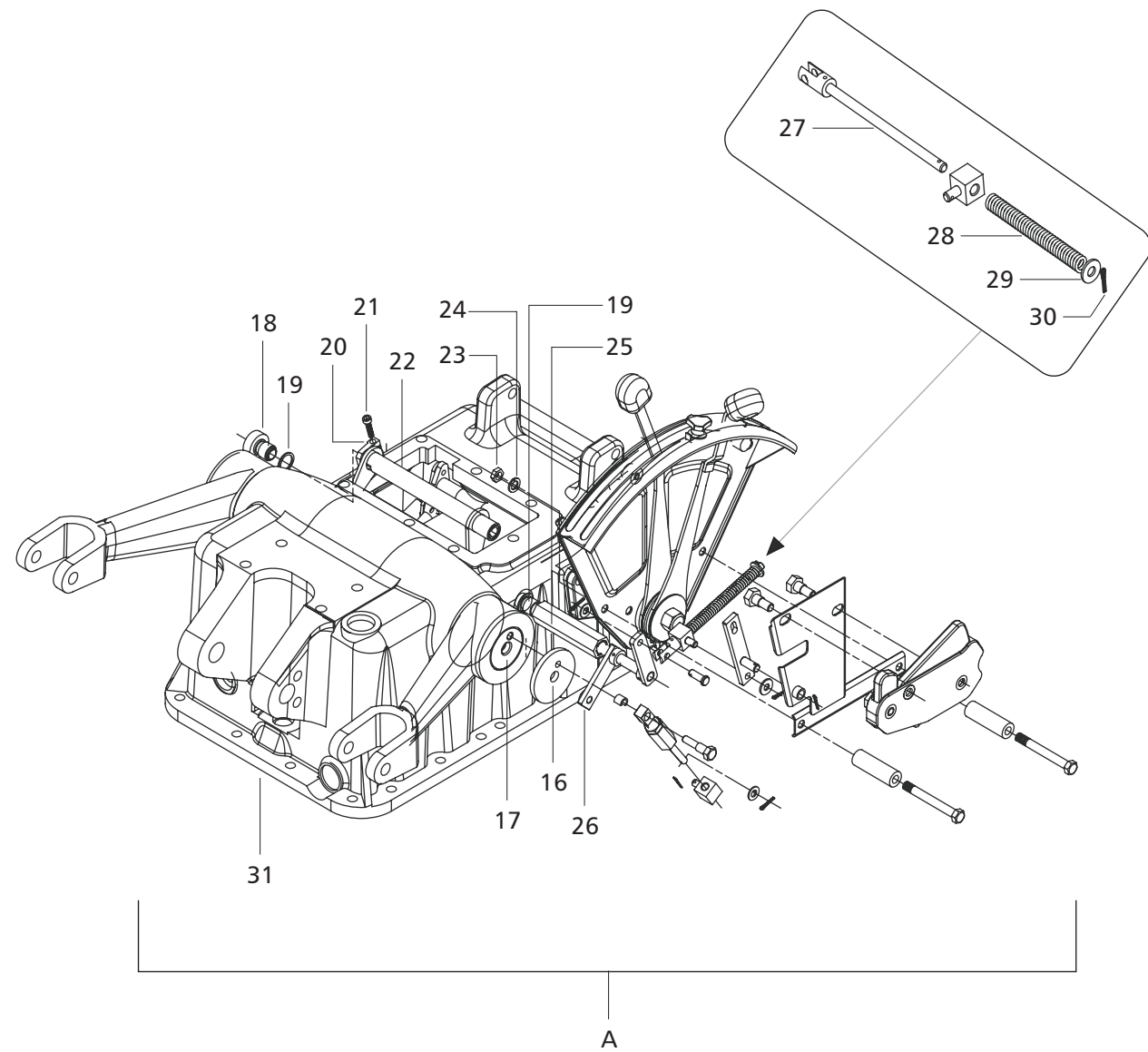
M&M Part Number	Ref.	Description of Part	Unit Quantity	Remarks / Service Bulletin No.
			per tractor 595	
007201851C1	1	PIPE Pressure RH	1	
007201852C1	2	PIPE Pressure LH -OIB	1	
007201658B91	3	PIPE Pressure for RLF Adaptor	1	
001081753R2	4	GASKET Lub Oil Filter Base	1	
007200720C1	5	ADAPTOR RLF	1	
007200595C1	6	MALE STUD Coupling	3	
000179838	7	BOLT Strainer Box Mounting	2	
001082012R2	8	WASHER Spring Lock	2	
007202182A91	9	CONNECTOR 4 Way	1	
007200674C11	10	PIPE VTU Housing Lubrication	1	
000103374	11	PIN Cotter	1	
‡	12	NUT	1	
000704337R1	13	WASHER Sealing BSP	1	
007200824C1	14	BOLT Banjo M6	4	
007202321C1	15	WASHER Copper	4	
000061056M01	16	WASHER Copper	3	

‡ Not Serviceable Separately



M&M Part Number	Ref.	Description of Part	Unit Quantity	Remarks / Service Bulletin No.
			per tractor	
			595	
007204042B91	1	HYDRAULICS Assy. HY-TEC OIB QL	1	
007203425B91	2	▶ QUADRANT Assembly	1	
007202707C11	3	▶ LINK External HLC	1	
007202819C91	4	▶ BUTTON Assembly	1	
000061278M01	5	▶ WASHER Plain 8.5 x 2	3	
007202911C11	6	▶ FRAME HLC Button Mounting	1	
007202913C1	7	▶ SPACER Quadrant Frame Button	2	
005556320R1	8	▶ BOLT M10 x 1.5 x 80 mm Long	2	
000103373	9	▶ PIN Cotter	7	
000120393	10	▶ WASHER Plain	2	
007202914C1	11	▶ PIVOT Rod Adjustable Feedback	1	
007203115C1	12	▶ CLEVIS Pin Dia	1	
007202683C1	13	▶ BLOCK Rotary	2	
007202957C91	14	▶ ROD Adjustable Feedback Assy	1	
007202939C1	15	▶ SPACER Rod Feedback	1	
001121836R1	*	WASHER Copper	1	
006502306C3	*	AIR BREATHER	1	
007205076B1	*	TOP COVER PLATE with Breather Hole	1	

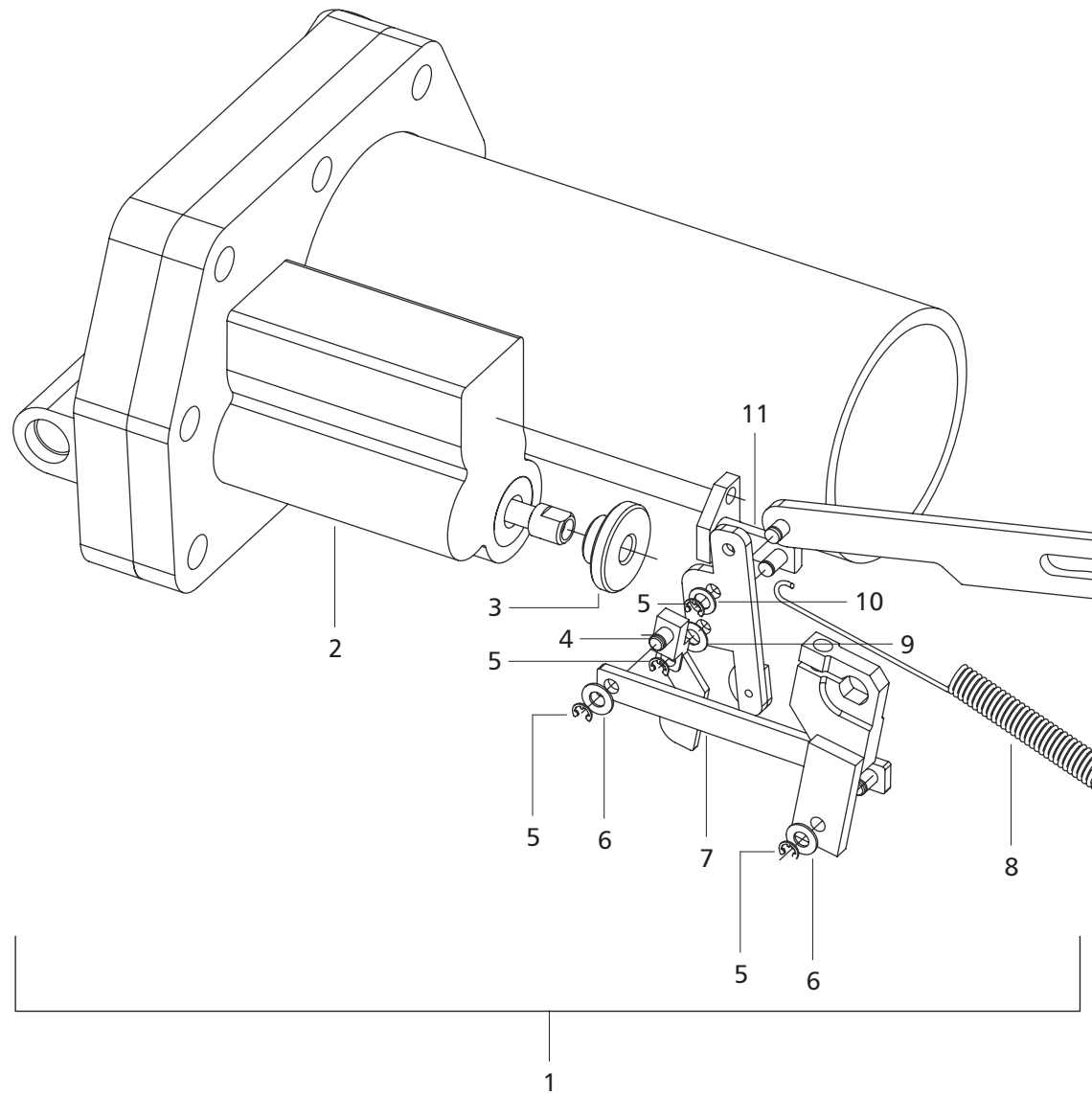
* Parts Not Illustrated



M&M Part Number	Ref.	Description of Part	Unit Quantity	Remarks / Service Bulletin No.
			per tractor	
			595	
007204042B91	A	HYDRAULICS Assy. HY-TEC OIB QL	1	
007202938C1	16	▶ PLATE Lift Arm Retainer RH HLC	1	
007202718C1	17	▶ ROCKSHAFT HLC	1	
007202678C1	18	▶ PIVOT Cross Tube LH	1	
000446179	19	▶ WASHER Plain	2	
007203119C11	20	▶ CRANK Internal HLC	1	
000051211D01	21	▶ BOLT Allen M6 x 25mm Long	1	
007202695C11	22	▶ PC Cross Tube CPTe	1	
005554365R1	23	▶ NUT	2	
005555988R1	24	▶ WASHER Spring Lock	2	
007202912C91	25	▶ PIVOT Cross Tube RH Hex Assy	1	
007203757B11	26	▶ ROD Cross Tube Sarpanch	1	
007203117C91	27	▶ ROD Spring HLC Cpte	1	
007202692C1	28	▶ SPRING Rod HLC	1	
000061115M01	29	▶ WASHER Plain Top Seal	3	
000103373	30	▶ PIN Cotter	7	
007201351A1	31	▶ HOUSING VTU - OIB	1	
006001066B1	*	▶ O-RING 8 mm	1	

* Parts Not Illustrated

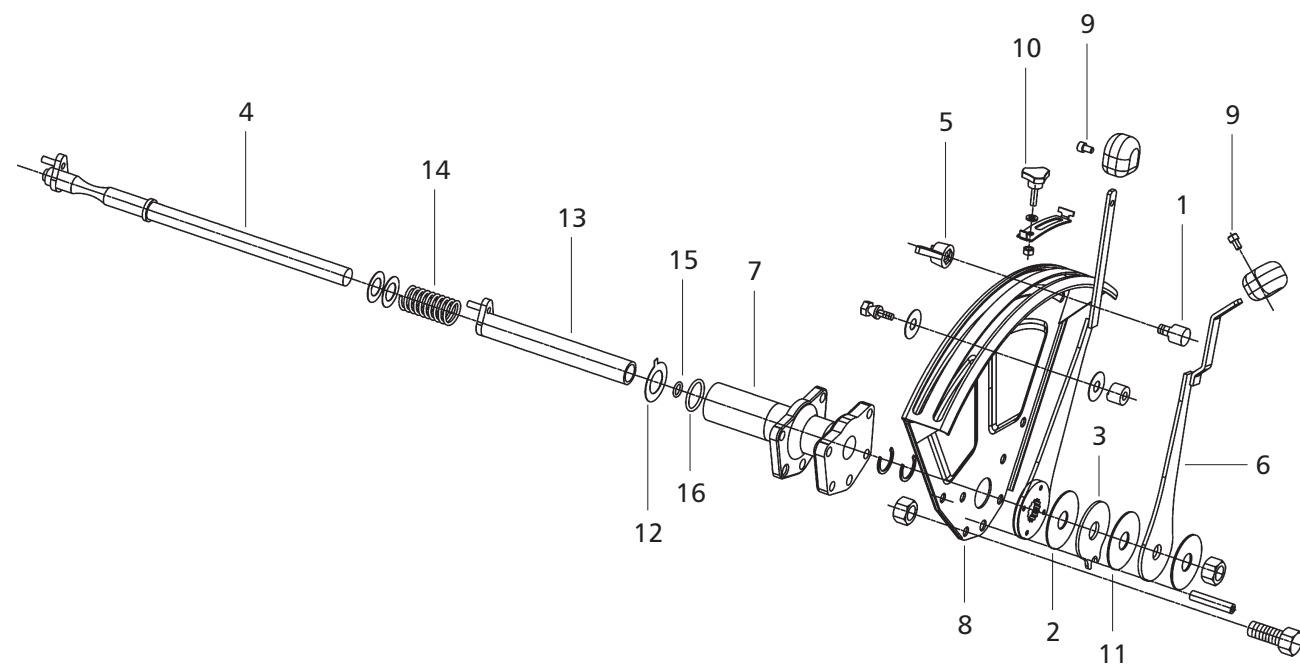
Control Valve Assembly for Hy-Tec Hydraulics



Control Valve Assembly for Hy-Tec Hydraulics

M&M Part Number	Ref.	Description of Part	Unit Quantity	Remarks / Service Bulletin No.
			per tractor 595	
007203553B91	1	CONTROL VALVE Assembly 60HP	1	
007203022C91	2	▶ VALVE Body with Sleeve	1	
007202704C1	3	▶ CAP End Main Valve	1	
007202674C11	4	▶ BLADE Actuating	1	
000050879D01	5	▶ CIRCLIP C-Type Ext. 4 x 0.7 N	2	
000446179	6	▶ WASHER Plain	2	
007202675C11	7	▶ LINK Internal	1	
000751517R1	8	▶ SPRING Draft Link	1	
007203452B1	9	▶ SPACER 0.5 mm	1	
007203148C1	10	▶ WASHER Plain 6 mm	1	
007202703C11	11	▶ BRACKET Support Cpte.	1	

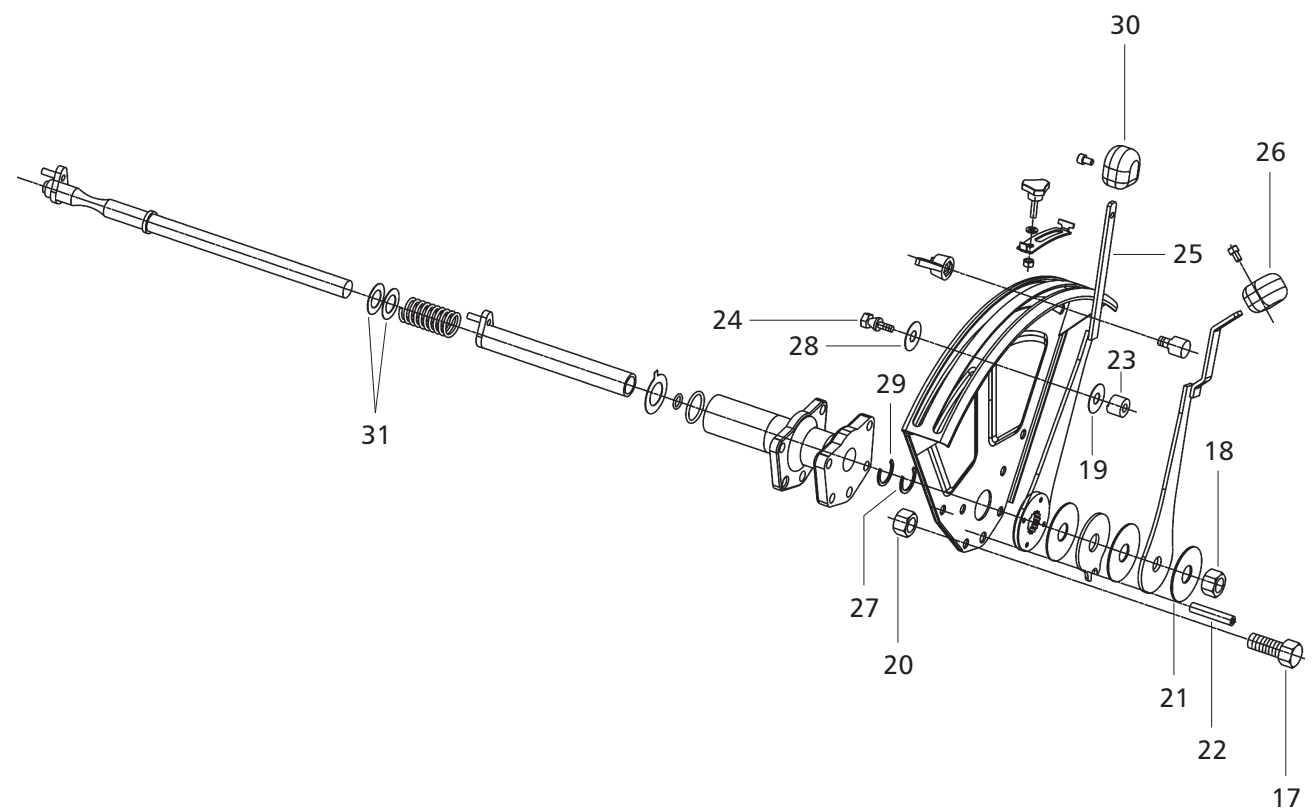
Hydraulic Quadrant Assembly



Hydraulic Quadrant Assembly

M&M Part Number	Ref.	Description of Part	Unit Quantity per tractor	Remarks / Service Bulletin No.
			595	
007203425B91	A	QUADRANT Assembly	1	
007202827B1	1	▶ LEVER Stop Control	1	
003044397R1	2	▶ DISC Friction Draft Lever	1	
003044402R1	3	▶ PLATE Friction	1	
007203424B11	4	▶ CRANKSHAFT Draft Control Assembly	1	
001231334R91	5	▶ NUT Stop Control Lever	1	
007202826B11	6	▶ LEVER Draft Control with Hub	1	
007203410B1	7	▶ BRACKET Control Lever	1	
007202824B11	8	▶ BRACKET Quadrant	1	
005556032R1	9	▶ SCREW Allen	2	
007202924C91	10	▶ SLIDER Draft Control	1	
007202562B1	11	▶ DISC Friction Position Control	1	
003044886R1	12	▶ WASHER Tab	1	
003044408R96	13	▶ SLEEVE Complete Position Control	1	
003044407R1	14	▶ SPRING Draft Control Crankshaft	1	
000377952R1	15	▶ O-RING	2	
000350818R1	16	▶ O-RING	2	

Hydraulic Quadrant Assembly

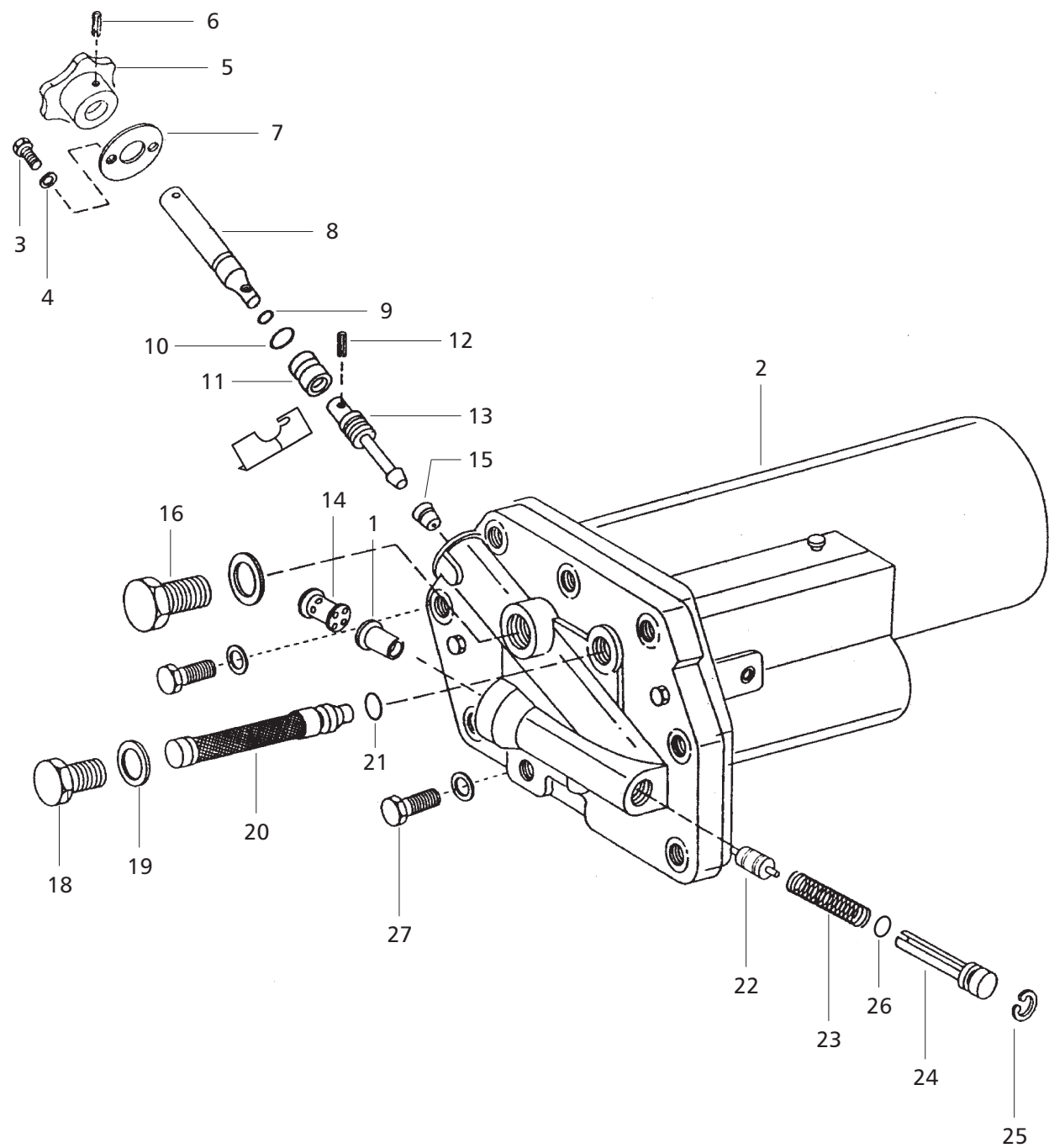


Hydraulic Quadrant Assembly

M&M Part Number	Ref.	Description of Part	Unit Quantity per tractor	Remarks / Service Bulletin No.
			595	
007203425B91	B	QUADRANT Assembly	1	
000179840	17	▶ BOLT	4	
000124589	18	▶ NUT G 15.875 mm	1	
000120394	19	▶ WASHER	1	
000120377	20	▶ NUT	4	
000022194R1	21	▶ WASHER Plain	1	
000019242R1	22	▶ PIN Spring Slotted (ps 172)	1	
007202828B1	23	▶ STOP Postion Control Lever	1	
001231009R2	24	▶ BOLT Lock Position Control	1	
007202825B91	25	▶ LEVER Position Control Cpte. with Hub	1	
005556899R1	26	▶ KNOB Draft Control	1	
000704589R1	27	▶ CIRCLIP 24 mm	1	
001082360R2	28	▶ WASHER	5	
001099853R1	29	▶ CIRCLIP External 19 mm	1	
005556901R1	30	▶ KNOB Position Control	1	
000615167R1	31	▶ WASHER Plain	2	
005556032R1	*	SCREW Allen	1	
007205160B1	*	DOME NUT PC Lever	1	
007205720B1	*	WASHER PC Lever Dome Nut	2	

* Parts Not Illustrated

Control Valve Cylinder Head for Hy-Tec Hydraulics

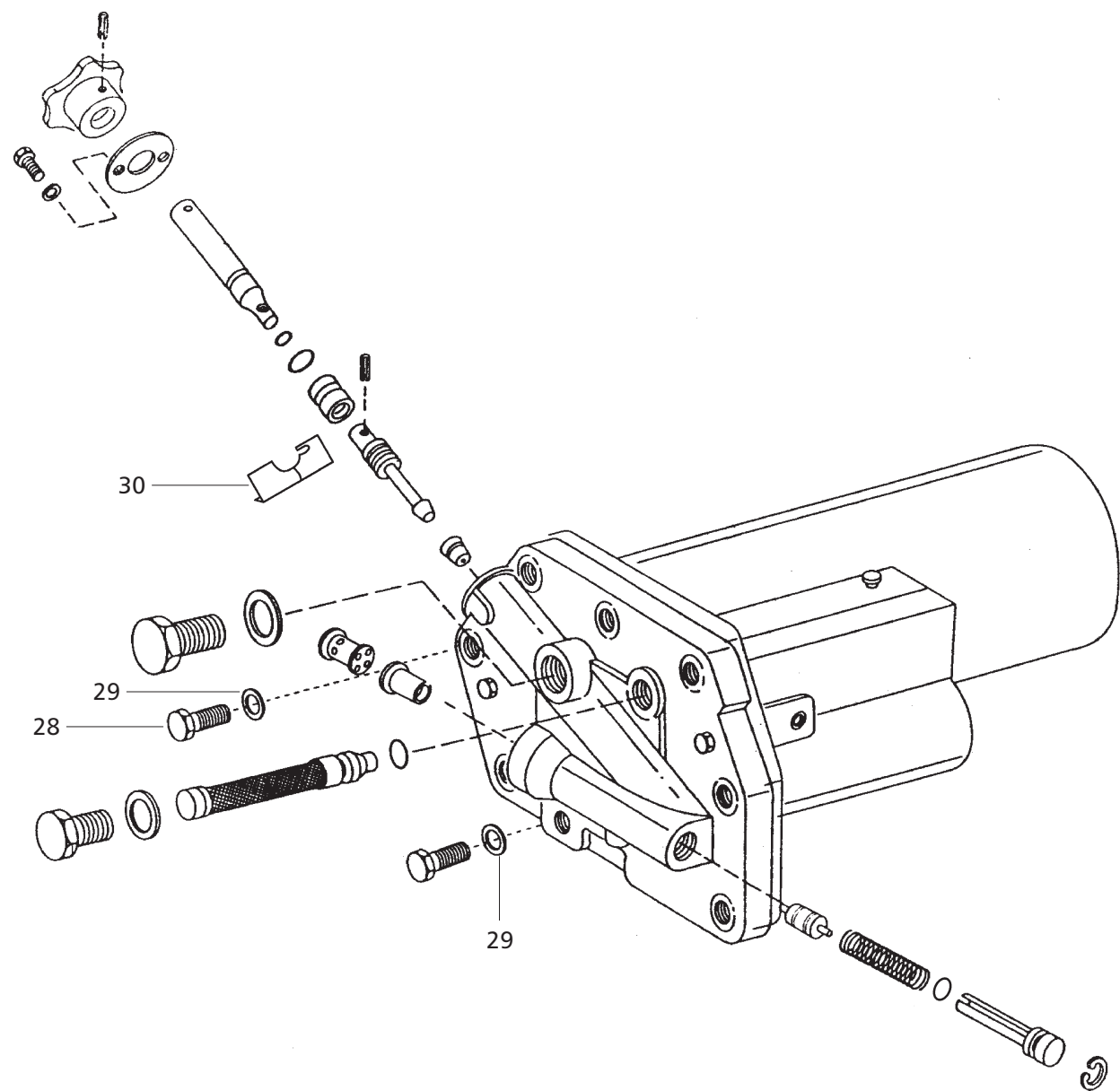


Control Valve Cylinder Head for Hy-Tec Hydraulics

M&M Part Number	Ref.	Description of Part	Unit Quantity	Remarks / Service Bulletin No.
			per tractor 595	
000051243D02	A	CYLINDER HEAD Assembly Comprising of with Isolator Valve Seat		
000051707D02	*	▶ CYLINDER HEAD with Sleeve & Spacer (Ref.1,2&13) Comprising of	1	
000050943D02	1	▶ SLEEVE Compensator	1	
000050859D02	2	▶ CYLINDER HEAD Sub-Assy. (60HP Category)	1	
000179793	3	▶ BOLT	2	
001082010R2	4	▶ WASHER	2	
003045102R21	*	▶ ISOLATING VALVE Assy. Comprising of	1	
003045113R1	5	▶ KNOB Isolating Valve Shut / Open	1	
000017047R1	6	▶ SPRING Pin	1	
003045104R1	7	▶ PLATE Stop	1	
003045107R1	8	▶ SHAFT Isolator Valve Knob	1	
000023524R1	9	▶ O-RING	1	
003045116R3	10	▶ O-RING	1	
003045106R1	11	▶ BUSH Isolator Valve	1	
000443137	12	▶ PIN Groove	1	
003045102R2	13	▶ VALVE Isolator	1	
000050925D01	14	▶ SPACER Compensator	1	
003067146R1	15	▶ SEAT Isolator Valve	1	
‡	16	▶ PLUG	1	
000751580R3	18	▶ BOLT Needle Valve Cover	1	
003045118R1	19	▶ WASHER	1	
003047294R95	20	▶ ORFICE Assembly	1	
000384937R1	21	▶ O-RING	1	
000050857D01	22	▶ SPOOL Compensator Flow	1	
000050857D01	22	▶ SPOOL Compensator	1	
000051165D01	23	▶ SPRING Compensator	1	
000051167D01	24	▶ PLUG Assembly Retainer Consist of	1	
003047246R1	25	▶ CIRCLIP	1	
005556038R1	26	▶ O - RING Rectangular	1	
000179890	27	▶ BOLT	2	

‡ Not Serviceable Separately
* Parts Not Illustrated

Control Valve Cylinder Head for Hy-Tec Hydraulics

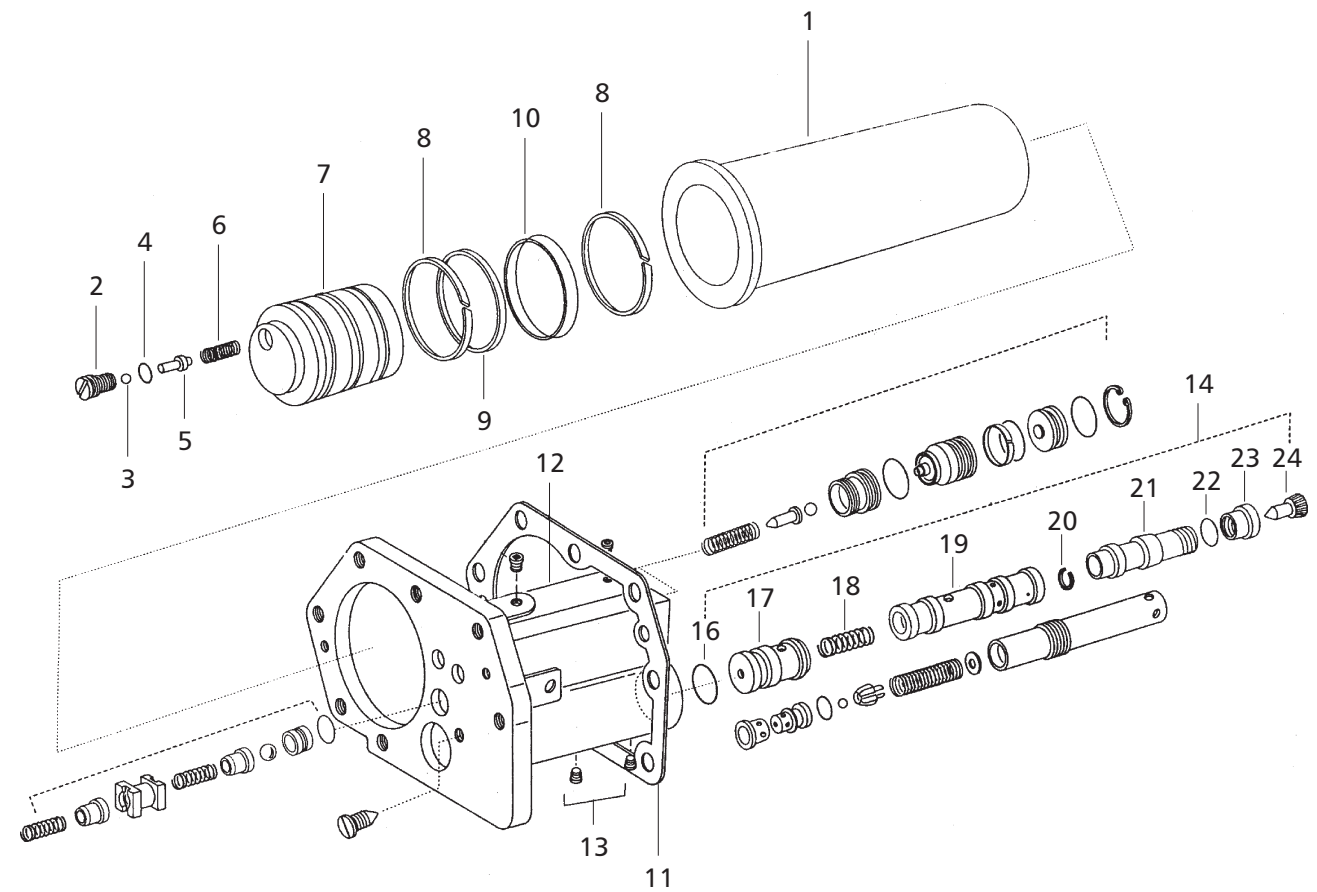


Control Valve Cylinder Head for Hy-Tec Hydraulics

M&M Part Number	Ref.	Description of Part	Unit Quantity	Remarks / Service Bulletin No.
			per tractor 595	
000179891	28	▶ BOLT	6	
000120384	29	▶ WASHER Spring	7	
001231204R1	30	▶ LOCK Isolating Valve	1	
000377952R1	*	▶ O-RING	1	
000179799	*	▶ BOLT Cover To Body	1	
003067183R1	*	▶ O-RING	1	
000379365R1	*	▶ O-RING	2	
000021433R1	*	▶ O-RING	2	
005556038R1	*	▶ O-RING Rectangular	1	
003108188R1	*	▶ PLUG	1	
005554405R1	*	▶ O-RING - Spigot	1	
005554404R1	*	▶ O-RING	1	
‡	*	▶ WASHER Dowty	1	
‡	*	▶ WASHER Spring Lock	2	
‡	*	▶ PIN Slotted	1	

‡ Not Serviceable Separately
* Parts Not Illustrated

Control Valve Body for Hy-Tec Hydraulics



Control Valve Body for Hy-Tec Hydraulics

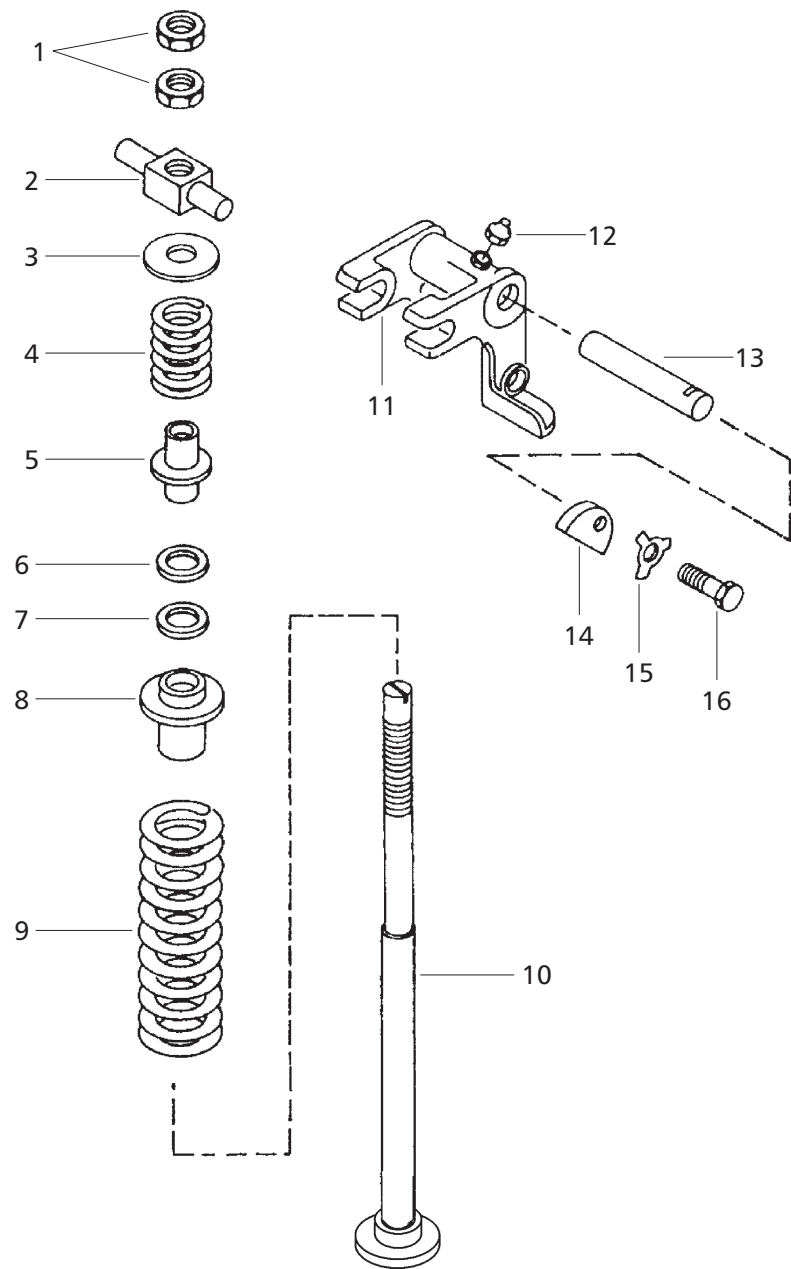
M&M Part Number	Ref.	Description of Part	Unit Quantity	Remarks / Service Bulletin No.
			per tractor	
			595	
005554399R1	1	CYLINDER Hydraulic Lift (60 HP)	1	
000051521D01	2	PLUG Relief Valve	2	
000051524D01	3	BALL	2	
000379365R1	4	O-RING	2	
000051523D01	5	RIDER Relief Valve Ball	2	
003066410R1	6	SPRING Unloader Valve	2	
‡	7	PISTON	1	
005554403R1	8	RING Cylinder Bearing	2	
005554401R1	9	RING Rectangular Section (60 HP)	1	
005554402R1	10	RING Outer Seal (60 HP)	1	
005555283R3	11	GASKET Valve Body Cover	1	
007203022C91	12	VALVE body with sleeve	1	
000444687	13	PLUG	4	
‡	14	BORE Assembly Main Control Valve Comprising of.	1	
000385713R1	16	▶ O-RING	1	
000051166D01	17	▶ PLUG Main Sleeve	1	
000050936D01	18	▶ SPRING Main Valve	1	
‡	19	▶ SLEEVE Control Valve	1	
003040910R1	20	▶ CIRCLIP	1	
000051152D01	21	▶ SPOOL Control Valve	1	
000051227D01	23	▶ CAP Main Sleeve End	1	
000051038D01	24	▶ SCREW Allen M5 x 16 mm	1	
000051519D01	*	SHIM Rider Relief Valve	AR	
000051695D01	*	WASHER Spring Lock	1	
000051525D02	*	PISTON	1	

‡ Not Serviceable Separately

* Parts Not Illustrated

AR - As Required

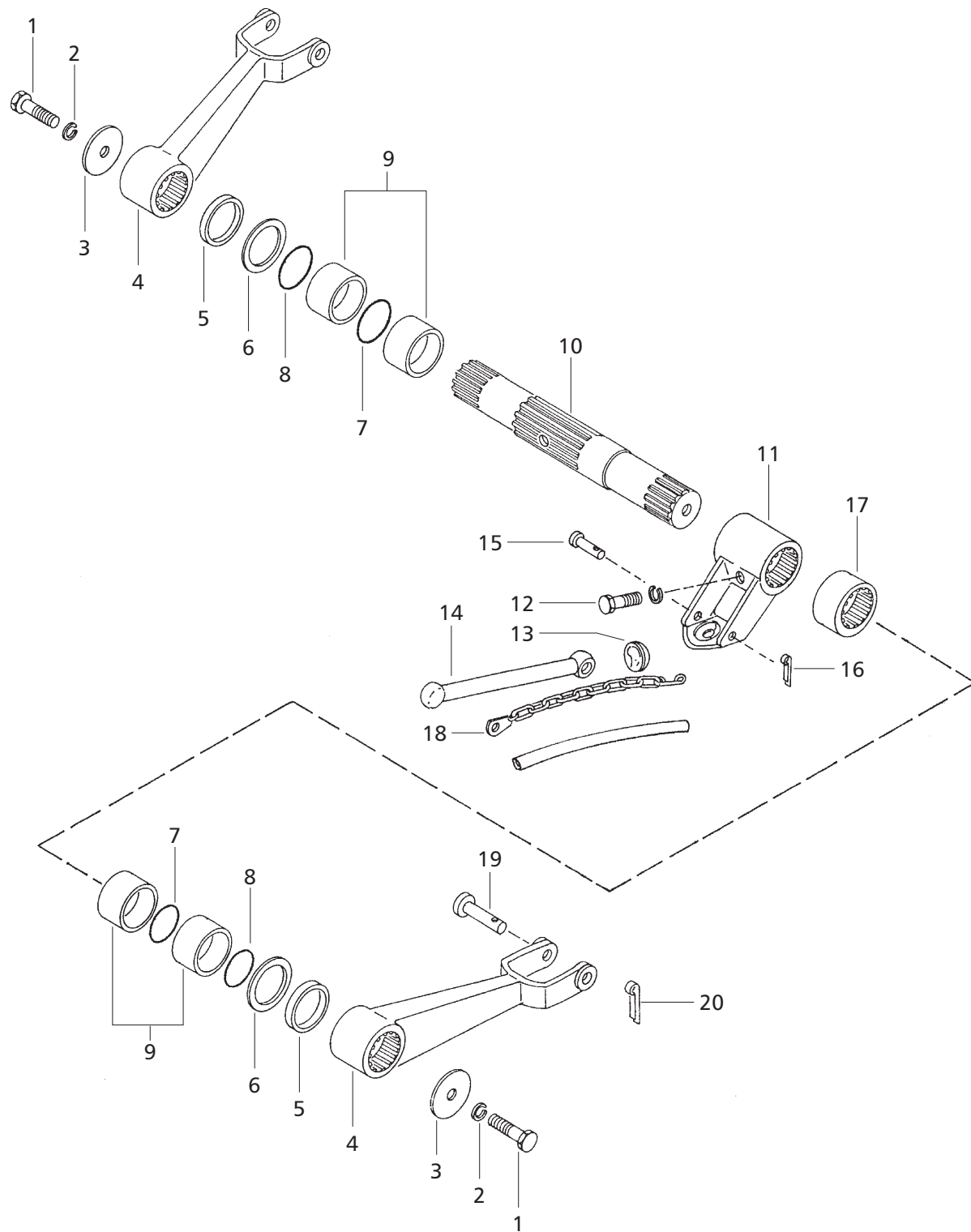
Bell Crank Assembly



Bell Crank Assembly

M&M Part Number	Ref.	Description of Part	Unit Quantity	Remarks / Service Bulletin No.
			per tractor 595	
007201284A1	1	NUT Cadmium Plated Hex.	2	
007201283A1	2	TRUNION Top Link	1	
000050934D01	3	SPACER Top link spindle	1	
000751506R4	4	SPRING Top Link	1	
007201302A1	5	SEAT Spring Small	1	
007201185A91	6	OIL SEAL Mudblock	1	
005557971R91	7	OIL SEAL Top Link Spindle - Double lip	1	
003064871R1	8	SEAT Spring	1	
000751505R1	9	SPRING Top Link (Big)	1	
007201597C1	10	TOP LINK SPINDLE (UNF THREADING) with Collar	1	
005557652R1	11	CRANK Top Link	1	
000109461	12	GREASE NIPPLE	1	
001121062R2	13	SHAFT Top Link Crank	1	
005554106R1	14	PLATE Top Link Crank Shaft Lock	1	
001121792R1	15	WASHER Tab	2	
000179814	16	BOLT	2	
005557354R1	*	WASHER Plain	AR	
001121584R1	*	GREASE NIPPLE	1	
007200350B3	*	RUBBER BELLOW Top Link Spindle	1	

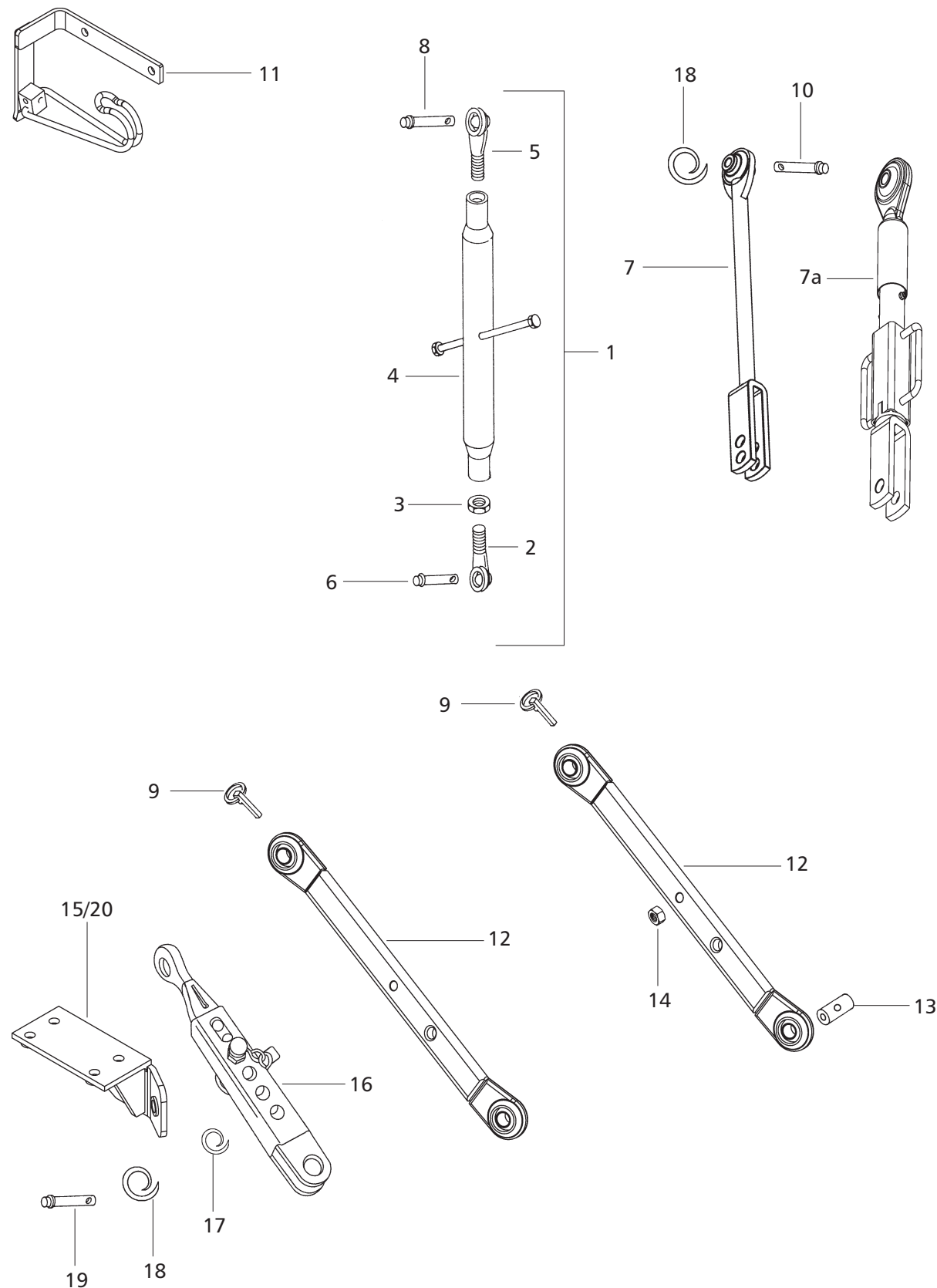
* Parts Not Illustrated
AR - As Required



M&M Part Number	Ref.	Description of Part	Unit Quantity	Remarks / Service Bulletin No.
			per tractor	
			595	
000340340R1	1	BOLT	2	
000108214R2	2	WASHER	2	
000708922R3	3	PLATE Lift Arm Retaining	2	
001127628R2	4	ARM Lift Forging	2	
001127798R92	5	OIL SEAL Rockshaft	2	
003044372R1	6	WASHER Rockshaft	2	
005555258R2	7	O-RING	2	
001121176R1	8	SPACER Lift Arm	2	
001231718R1	9	BUSH Rockshaft	4	
007202718C1	10	ROCKSHAFT HLC	1	
007200412A2	11	ROCKER ARM Hydraulic	1	
001231563R1	12	▶ BOLT Hydraulic Rocker Arm	1	
003046977R2	13	▶ BUSH Connecting Rod	1	
007200413A1	14	ROD Connecting	1	
007200217B1	15	PIN Std. Hd.	1	
000103384	16	PIN Cotter	1	
005550074R1	17	CAM Rockshaft - Cast Iron	1	
007200414A92	18	CHAIN Safety Complete.	1	
003044309R1	19	PIN Lift Arm	AR	
000720631R1	20	PIN Cotter	2	

AR - As Required

Three Point Linkages

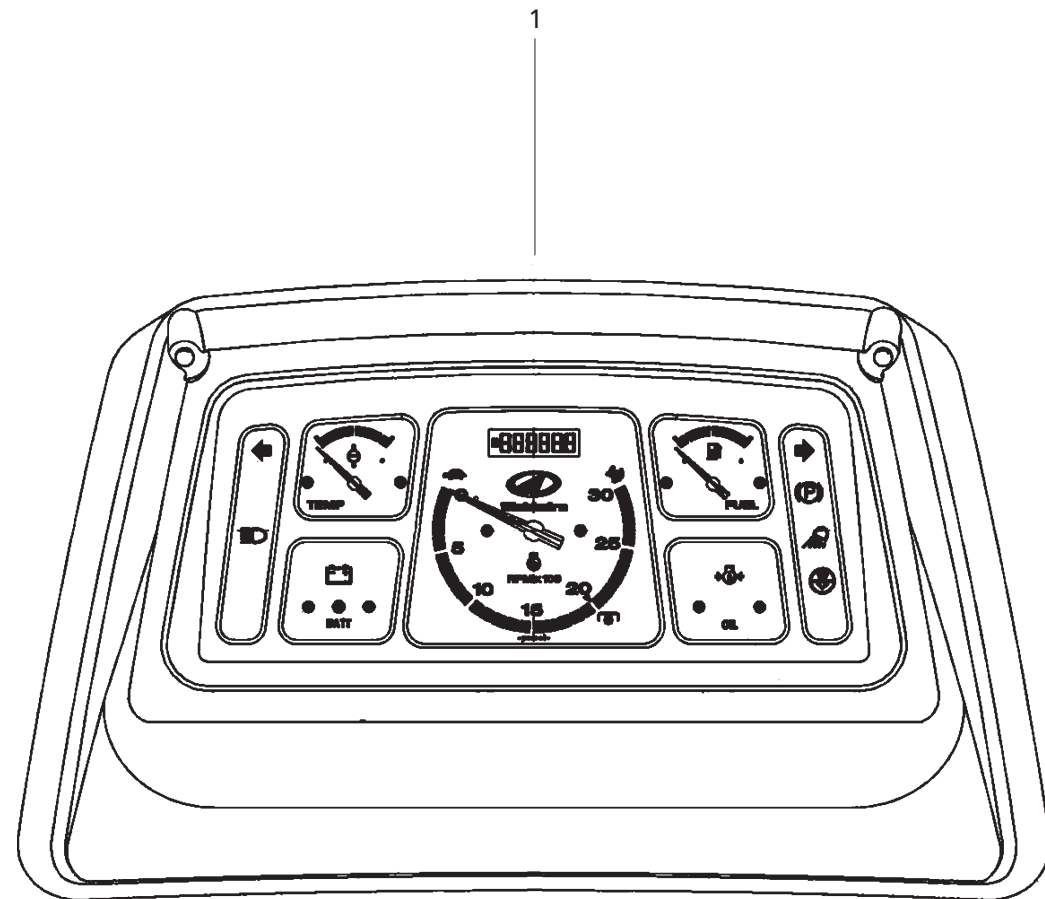


Three Point Linkages

M&M Part Number	Ref.	Description of Part	Unit Quantity per tractor	Remarks / Service Bulletin No.
			595	
007201940C92	1	TOP LINK Complete - Shorter Consist of	1	
‡	2	▶ EYEBOLT Top Link (Cat I)	1	
‡	3	▶ NUT Hex. 1" Jam	1	
‡	4	▶ TURNBUCKLE Top Link with Handle Complete	1	
‡	5	▶ EYEBOLT Top Link Complete (Cat II)	1	
005557693R2	6	PIN Top Link (Cat I)	1	
007603461B11	7	LIFT ROD LH Complete (Fixed Increased Length)	1	
007603464B11	7a	LIFT ROD RH (TB Type)	1	
007200458A91	8	PIN Top Link (Cat II)	1	
007200598C91	9	LYNCH PIN Assembly	2	
003071482R1	10	PIN Std Headed 19.05 x 69.85 mm	2	
007200530C91	11	SPRING Top Link Hanger	1	
007204593C11	12	LINK Lower Assembly Shorter (Cat I & Cat II)	2	
000704194R2	13	BUSH Lower Link	2	
001081682R1	14	NUT Nyloc	2	
007206878C1	15	BRACKET Complete Check Chain LH	1	
007205968C91	16	CHECK CHAIN Telescopic (STAB)	2	
000050620D02	17	CLIP SPRING	4	
003074763R1	18	RING Retaining External	4	
003044309R1	19	PIN Standard Headed	2	
007206879C1	20	BRACKET Complete Check Chain RH	1	

ELECTRICALS

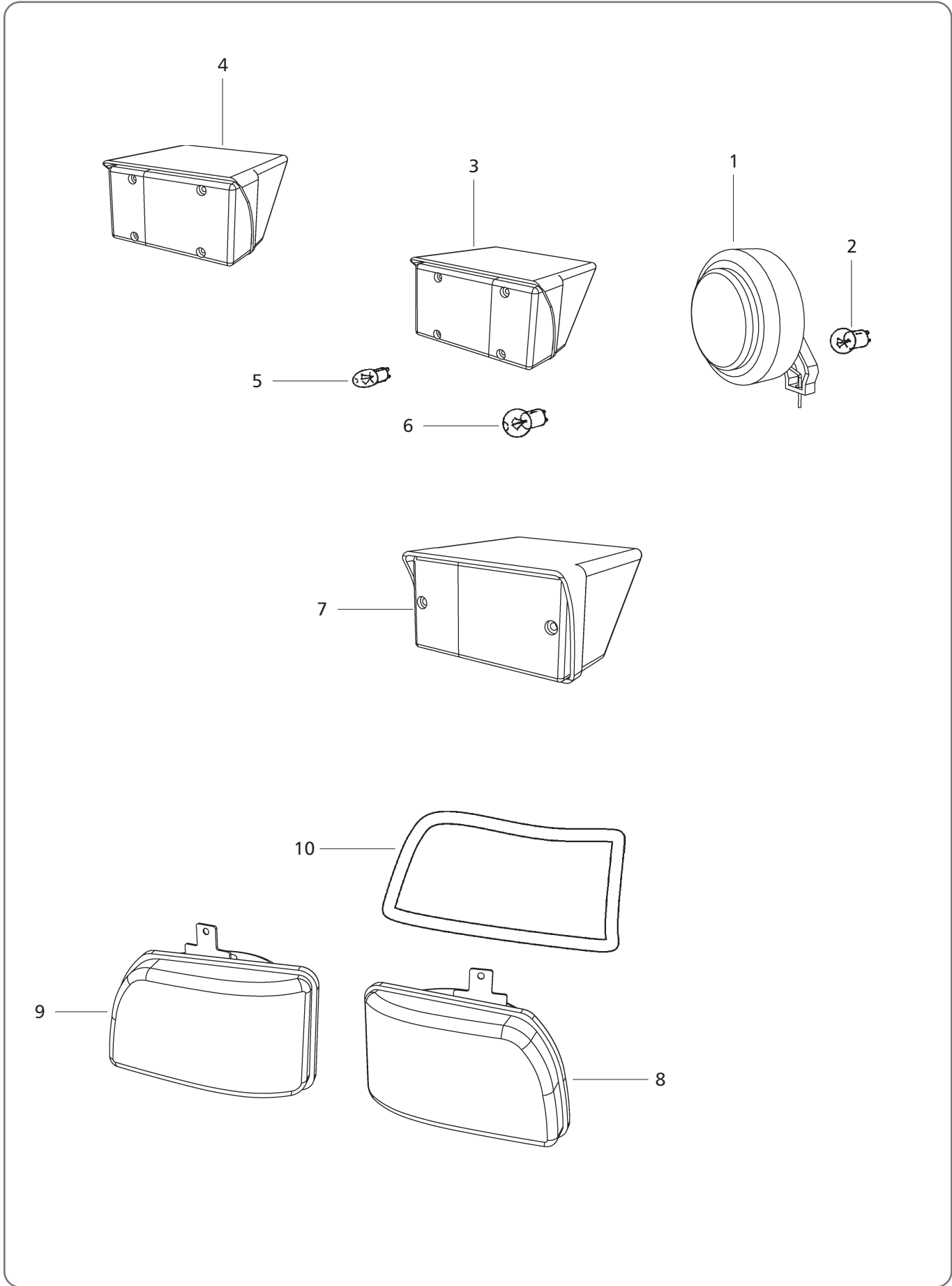
Instrument Panel, Gauges & Switches



Instrument Panel, Gauges & Switches

M&M Part Number	Ref.	Description of Part	Unit Quantity per tractor	Remarks / Service Bulletin No.
			595	
007700895B91	1	INSTRUMENT CLUSTER	1	
007701478B1	*	RPM / HOURMETER	1	
007700675B1	*	FUEL GAUGE	1	
007701480B1	*	TEMPERATURE GAUGE	1	
007700672B2	*	BATTERY INDICATOR	1	
007700673B2	*	OIL PRESSURE INDICATOR	1	
008000579B91	*	CLOG INDICATOR	1	
008000154B91	*	COMBINATION SWITCH	1	
007700613B92	*	SWITCH OIL PRESSURE	1	
007700257C91	*	INTERMITTENT BEEPER	1	
E008000721B91	*	TRAILER PRESSURE GAUGE	1	
005553086R95	*	FLASHER with Lockable Connector	1	

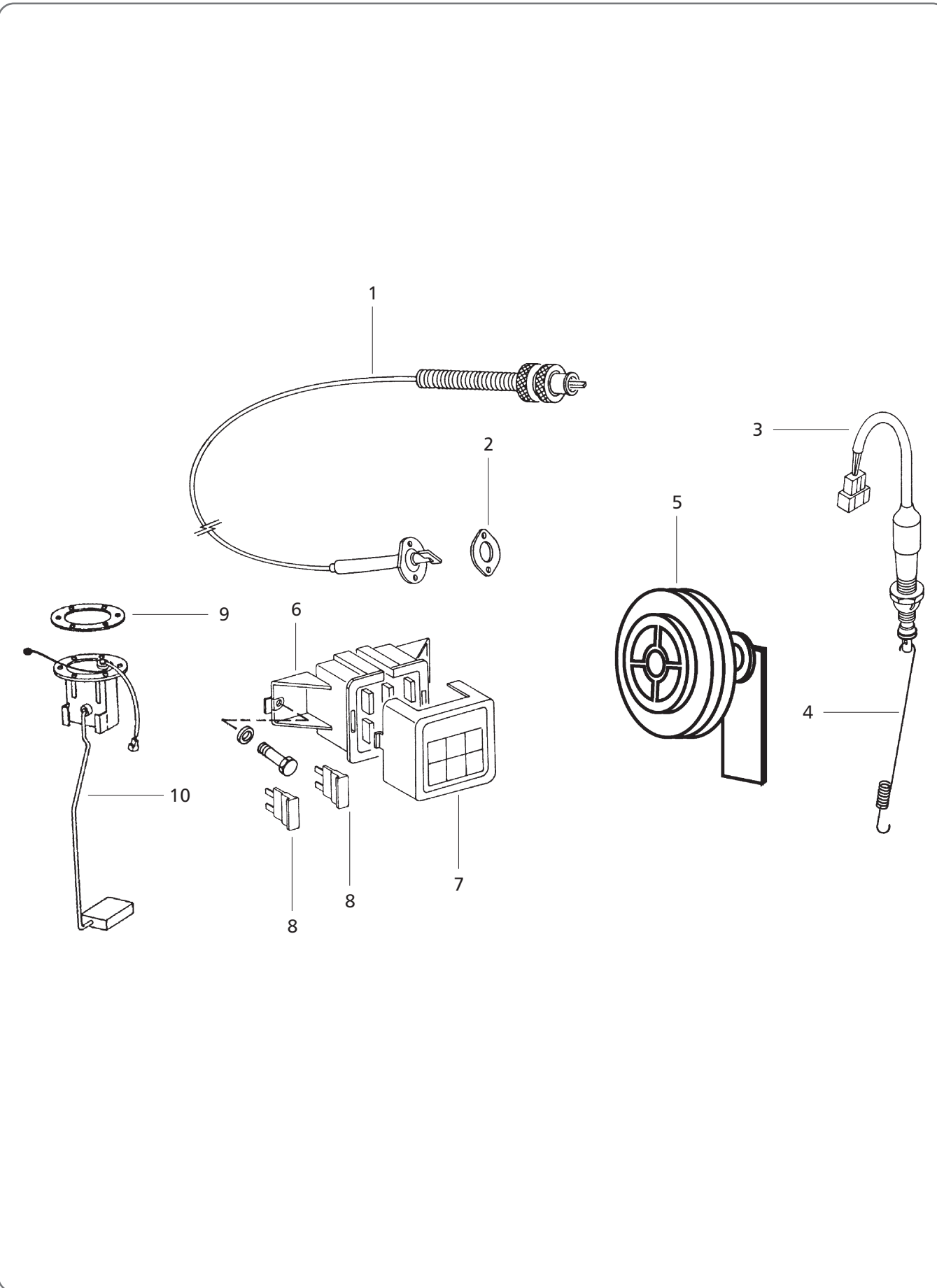
* Parts Not Illustrated



M&M Part Number	Ref.	Description of Part	Unit Quantity per tractor	Remarks / Service Bulletin No.
			595	
005557651R91	1	PLOUGH LAMP	2	
001081697R91	2	BULB	1	
007701393B91	3	LAMP REAR 3 IN 1 LH	1	
007701394B91	4	LAMP REAR 3 IN 1 RH	1	
001233975R91	5	BULB Stop lamp 12V x 15 W	2	
001233974R91	6	BULB Tail lamp 12V x 5W	1	
007700951B91	7	P & T LAMP	2	
008000158B91	8	HEAD LAMP LH	1	
008000159B91	9	HEAD LAMP RH	1	
008000498B2	10	BEADING Head Lamp - NST	2	

* Parts Not Illustrated

Hour Meter Cable / Horn / Fuse Box / Battery Cable /
Brake Light Switch / Safety Triangle / 7 Pole Socket



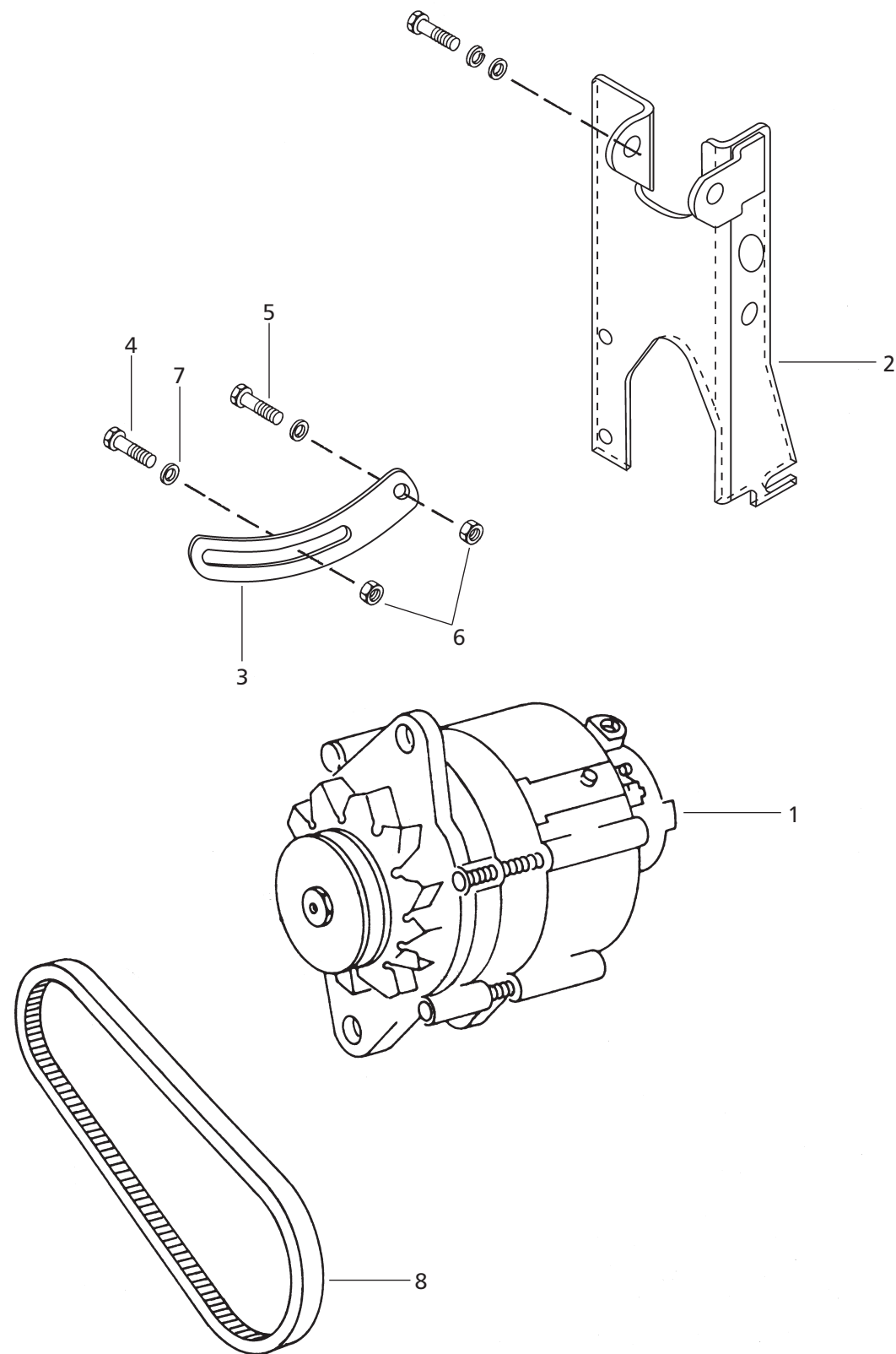
Hour Meter Cable / Horn / Fuse Box / Battery Cable /
Brake Light Switch / Safety Triangle / 7 Pole Socket

M&M Part Number	Ref.	Description of Part	Unit Quantity	Remarks / Service Bulletin No.
			per tractor 595	
008000023B1	1	CABLE Hourmeter	1	
003042467R3	2	GASKET Hourmeter Cable Bracket	1	
007700960B91	3	SWITCH Brake	1	
005557433R1	4	SPRING Brake Light Switch	1	
007700750B91	5	HORN Cpte.	1	
000103361	*	PIN Cotter	1	
005559088R1	*	CABLE - Earth Alternator	1	
008000228B91	*	BRACKET Fuse Box Mtg.	1	
000180018	*	BOLT Hex Headed	1	
000040576C99	*	CABLE Battery Positive	1	
007700973B91	*	SMALLER SMV (Safety TRI-ANGLE)	1	
E007701816B91	*	WIRING HARNESS with Integral Fuse Box mounting Bracket	1	
007701246B91	6	FUSE BOX - 14 Pin	1	
005559017R1	7	COVER Fuse Box	1	
001231622R1	8	LINK Fuse 15 amps. (Glass)	AR	
001127784R1	8	LINK Fuse 10 amps. (Glass)	AR	
000013047P04	8	FUSE 5A - Blade Type.	AR	
005555944R1	9	GASKET Fuel Unit	1	
008000289B93	10	FUEL TANK UNIT with Bush	1	
001081607R1	*	BOLT	3	
005556768R1	*	WASHER Fibre	AR	
000180018	*	BOLT Hex Headed	2	
007700371B92	*	7 POLE Assembly Comprising of	1	
000934309R1	*	▶ WASHER M8 Spring Manifold Mtg.	3	
007700331B1	*	▶ BRACKET for 7 pole socket	1	
007700338B1	*	▶ SOCKET Assembly - 7 Pin	1	
E007700361R91	*	WIRING HARNESS Platform	1	
E008000697B91	*	WIRING HARNESS Rear	1	

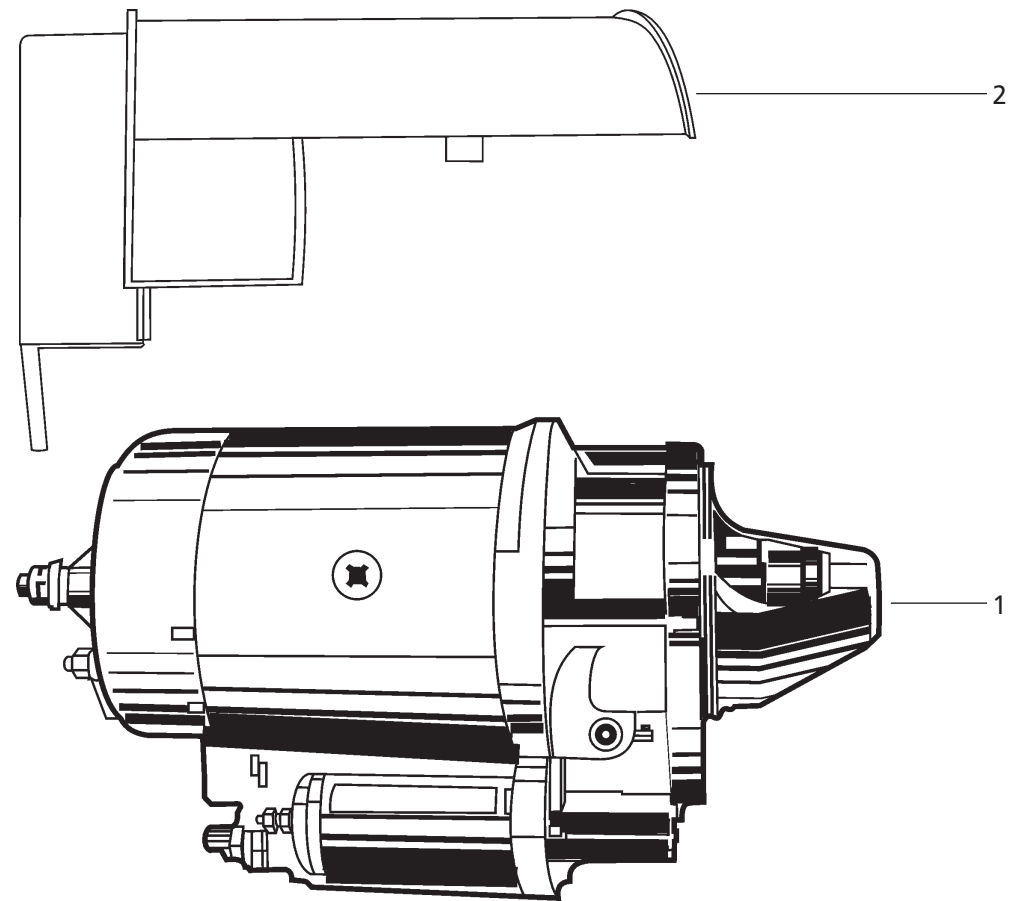
* Parts Not Illustrated
AR - As Required

Alternator Drive & Mounting

Alternator Drive & Mounting



M&M Part Number	Ref.	Description of Part	Unit Quantity	Remarks / Service Bulletin No.
			per tractor	
007700751B91	1	ALTERNATOR With Pulley Complete	595	
006003307A12	2	BRACKET Alternator	1	
005556225R1	3	BRACE Alternator	1	
000179842	4	BOLT M10 x 85 mm long	1	
000030020R1	5	BOLT M10 x 40 mm long	1	
005554365R1	6	NUT M10 Hex	2	
000120394	7	WASHER Plain	2	
005556085R1	8	BELT Alternator Cogged	1	



M&M Part Number	Ref.	Description of Part	Unit Quantity per tractor	Remarks / Service Bulletin No.
			595	
0000000SM	1	STARTER MOTOR	1	
005556674R2	2	GUARD Starter Motor	1	
005557308R2	*	NUT Domed	1	



M&M Part Number	Ref.	Description of Part	Unit Quantity per tractor	Remarks / Service Bulletin No.
			595	
000708117R2	*	CLIP Cable (On Rear Axle Carrier - RH &LH for Main Cable)	4	
000708114R3	*	CLIP Cable (For Head Camp / Horn Mounting and Radiator Cable)	2	

* Parts Not Illustrated